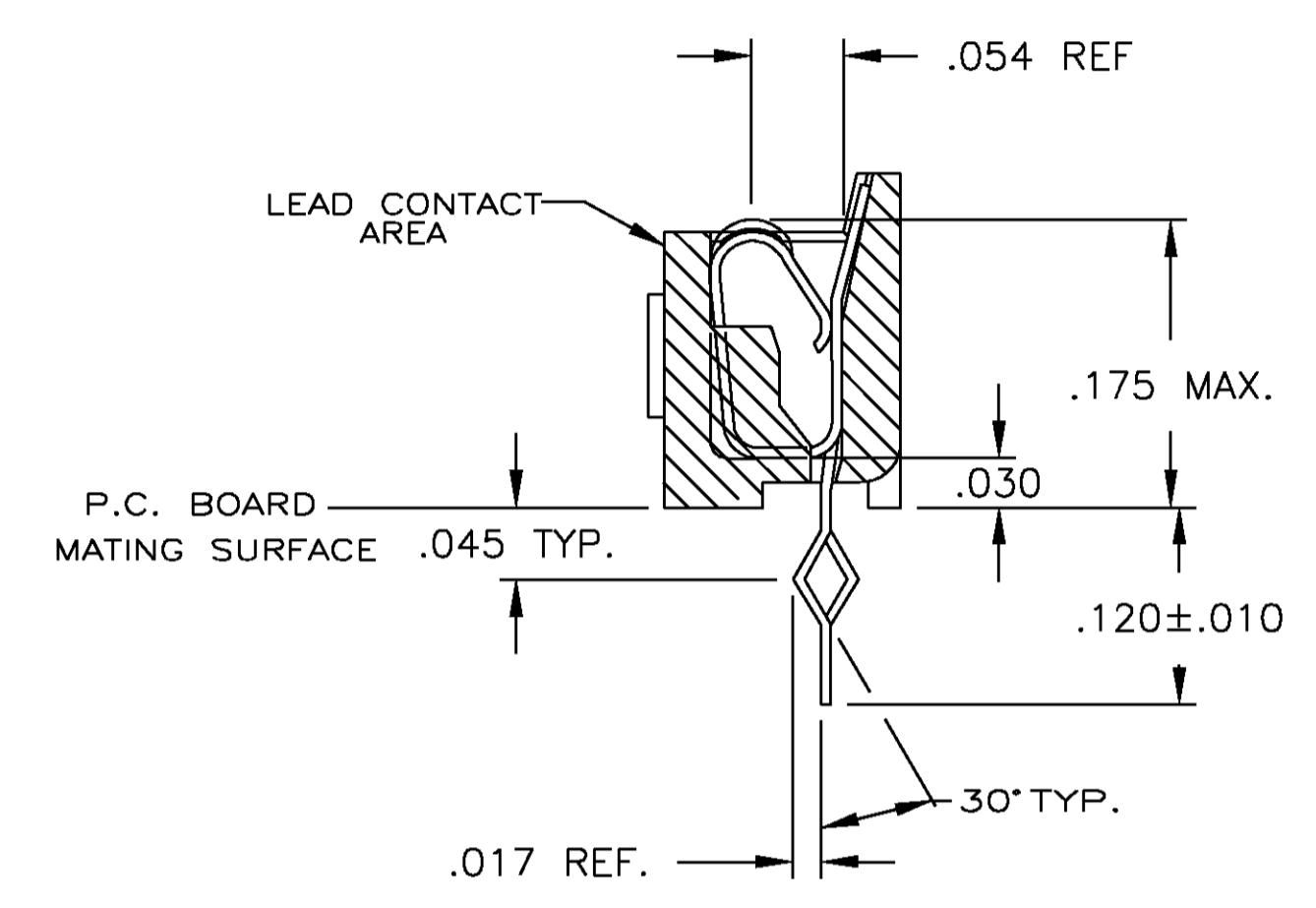
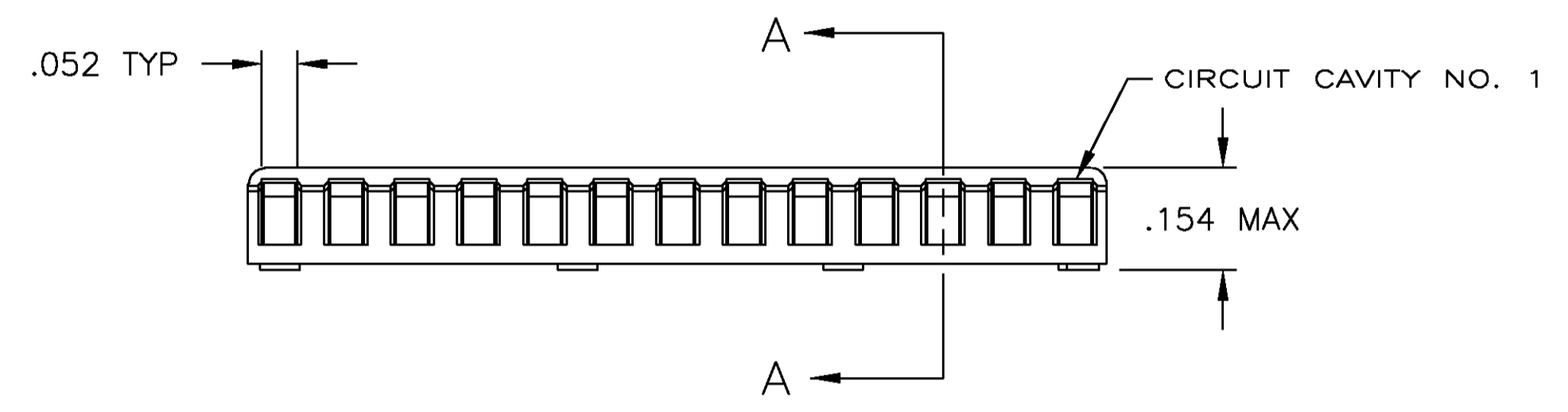
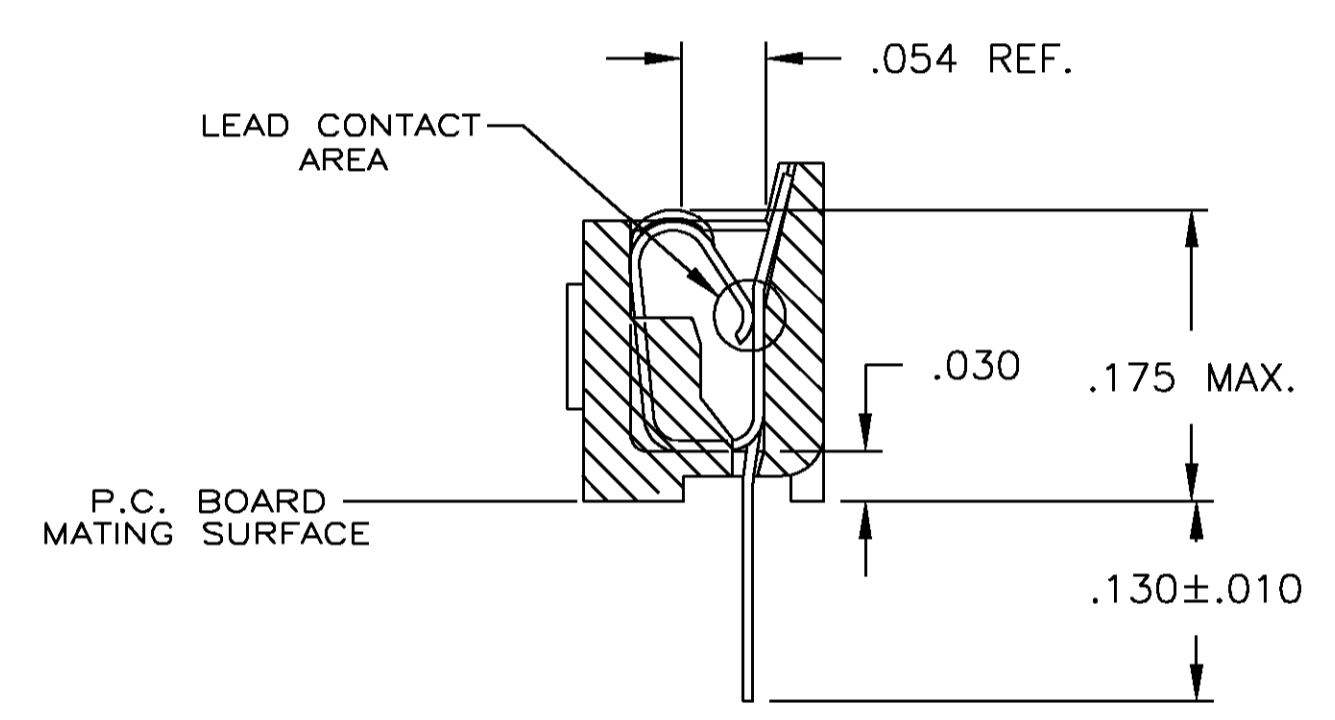


LOC	DIST	REVISIONS			
P	LTR	DESCRIPTION	DATE	DRW	APPD
FT	64	K	REV PER 0G3C-0214-99	24AUG00	BH HW

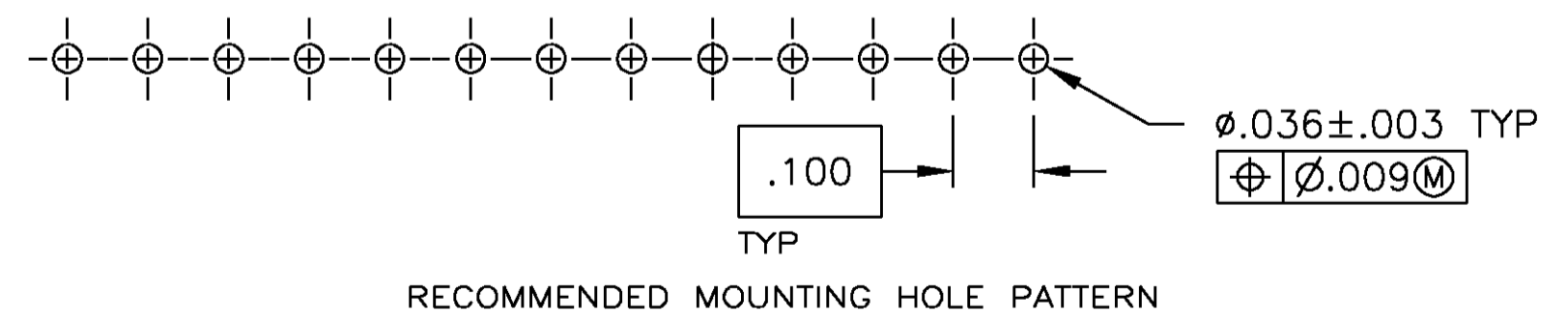
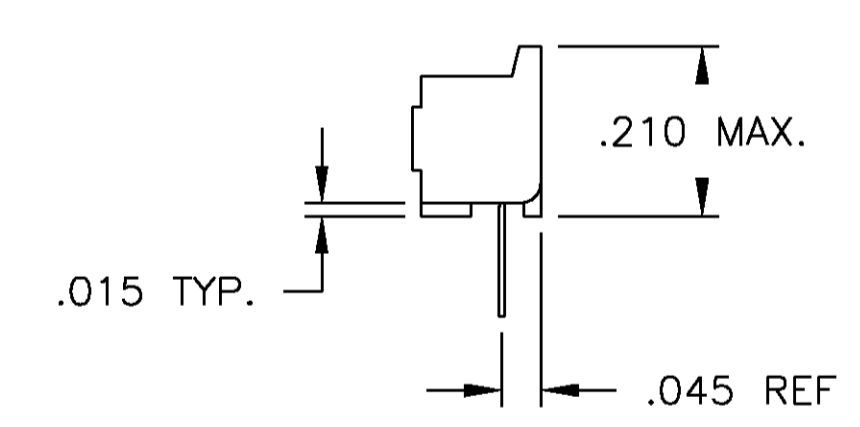
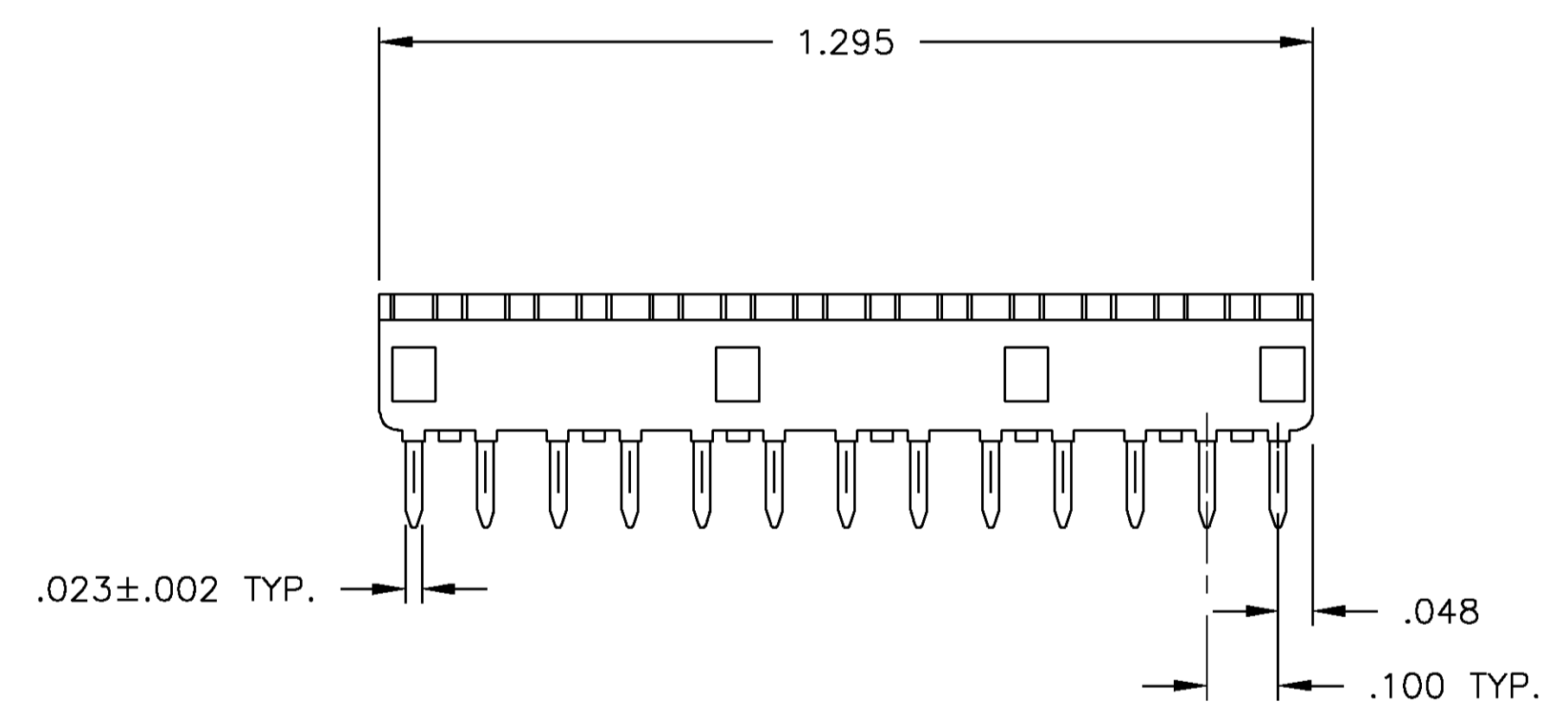


SECTION A-A
 ROTATED 90° CW
 SCALE 10:1
 FOR -6, -7 & -8 ONLY

- RECEPTACLE ACCEPTS AN .008-.014 THK. I.C. LEAD.
- TWO .000030 MIN. THK. GOLD STRIPES IN CONTACT AREA, TIN-LEAD(93-7) ON CONTACT LEGS, BALANCE OF CONTACT NICKEL PLATED.
- TWO .000015 MIN. THK. GOLD STRIPES IN CONTACT AREA, TIN-LEAD(93-7) ON CONTACT LEGS, BALANCE OF CONTACT NICKEL PLATED.



SECTION A-A
 ROTATED 90° CW
 SCALE 10:1
 FOR -1, -2 & -3 ONLY



CONTACT FINISH	CONTACT MAT'L	HOUSING MATERIAL	PART NO.	
OBSOLETE	TINNED	PHOS.BRZ.	GLASS-FILLED THERMOPLASTIC, 94V-0, BLACK	643645-8
OBSOLETE	TINNED	BE.CU.	GLASS-FILLED THERMOPLASTIC, 94V-0, BLACK	643645-7
SUPSD BY 643645-2	TINNED	PHOS.BRZ.	GLASS-FILLED THERMOPLASTIC, 94V-0, BLACK	643645-6
	TINNED	PHOS.BRZ.	GLASS-FILLED THERMOPLASTIC, 94V-0, BLACK	643645-4
	TINNED	BE.CU.	GLASS-FILLED THERMOPLASTIC, 94V-0, BLACK	643645-3
	TINNED	BE.CU.	GLASS-FILLED THERMOPLASTIC, 94V-0, BLACK	643645-2
OBSOLETE	TINNED	BE.CU.	GLASS-FILLED THERMOPLASTIC, 94V-0, BLACK	643645-1

THIS DRAWING IS A CONTROLLED DOCUMENT.		DRW: M. CYRUS 8-1-84	AMP Tyco Electronics Corporation Harrisburg, PA 17105
		OR: N. JONES 7-3-84	
		APPD: J. GRAY 7-10-84	SOCKET ASSY, SIP, 13 POS, DIPLOMATE DL
		PRODUCT SPEC: 108-1066	
		APPLICATION SPEC: 114-1049	RESTRICTED TO
		WEIGHT: -	
MATERIAL: SEE TABLE		FINISH: SEE TABLE	SIZE: A1
		CUSTOMER DRAWING	DRAWING NO: 00779
			SCALE: 5:1
			SHEET 1 OF 1
			REV K