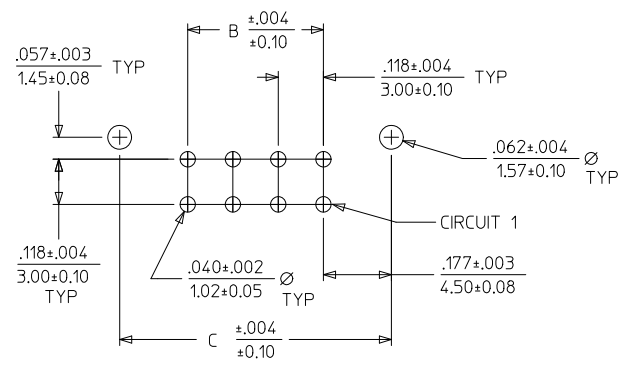
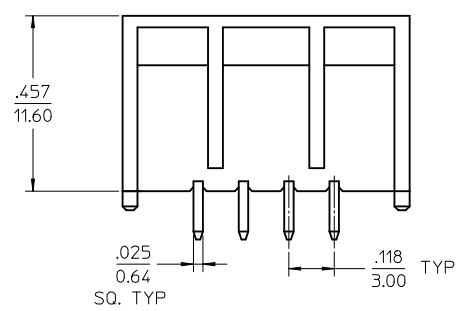
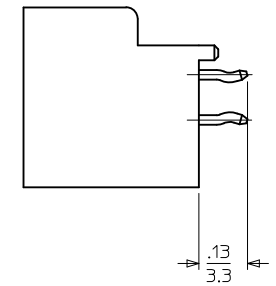
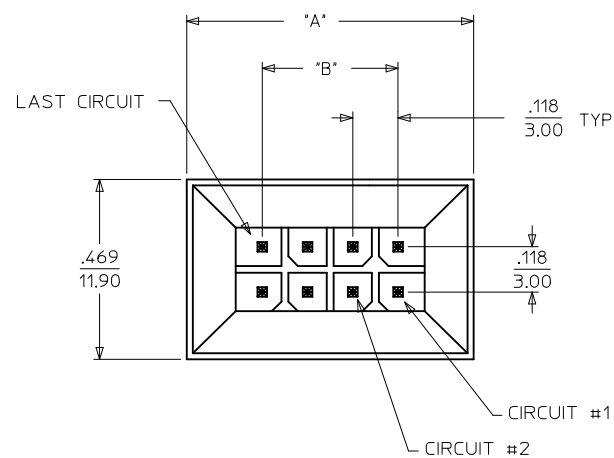


CIRCUIT SIZE	"A"	"B"	C
06	$\frac{.630}{16.00}$	$\frac{.236}{6.00}$	$\frac{.590}{15.00}$
08	$\frac{.748}{19.00}$	$\frac{.354}{9.00}$	$\frac{.709}{18.00}$
10	$\frac{.866}{22.00}$	$\frac{.472}{12.00}$	$\frac{.827}{21.00}$
18	$\frac{1.338}{34.00}$	$\frac{.945}{24.00}$	$\frac{1.299}{33.00}$
24	$\frac{1.693}{43.00}$	$\frac{1.299}{33.00}$	$\frac{1.653}{42.00}$



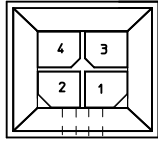
PCB LAYOUT: COMPONENT SIDE
RECOMMENDED PCB THICKNESS .062/1.57

NOTES :

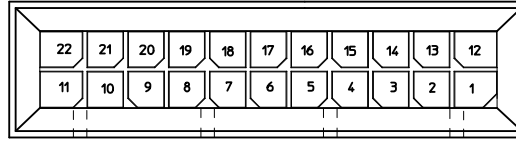
- MATERIALS -
HOUSING : NYLON , GLASS-FILLED, UL94V-0 COLOR - BLACK
TERMINAL : BRASS ALLOY
- FINISH:
A = .000015/(0.00038) MIN. SELECT GOLD IN CONTACT AREA;
.000100/(0.00254) MIN. SELECT TIN ON SOLDER TAILS;
BOTH OVER .000050/(0.00127) MIN. NICKEL.
B = .000030/(0.00076) MIN. SELECT GOLD IN CONTACT AREA;
.000100/(0.00254) MIN. SELECT TIN ON SOLDER TAILS;
BOTH OVER .000050/(0.00127) MIN. NICKEL.
- PRODUCT SPECIFICATION : PS-44300-001
- PACKAGING SPECIFICATION : PK-44432-001
- THIS ASSEMBLY MATES WITH MOLEX BMI PANEL MOUNT RECEPTACLE (SEE DRAWING SD-44133-001) & FEMALE CRIMP TERMINAL (SEE DRAWING SD-43030-****)
- THE PRIMARY SHIPPING CARTON WILL BE LABELED, "COMPLIANT TO RoHS DIRECTIVE 2002/95/EC AND ELV ANNEX II OF DIRECTIVE 2000/53/EC", AND ASSEMBLIES WILL BE COMPLIANT TO THE RoHS AND ELV (LEAD-FREE) DIRECTIVES.
- THIS PART CONFORMS TO CLASS B REQUIREMENTS OF COSMETIC SPECIFICATION PS-45499-002.

CORRECT HOUSING EC NO: UCP2011-2322 DRAWN BY: DRWINMSTROH CHKD:SSOUSEK APPR:FSMITH	DESCRIPTION 2011/02/04 2011/02/07 2011/07/11	QUALITY SYMBOLS ▽=0 ▽=0 ▽=0	GENERAL TOLERANCES (UNLESS SPECIFIED)		DIMENSION STYLE IN/MM	SCALE 4:1	DESIGN UNITS METRIC	THIRD ANGLE PROJECTION	
			mm	INCH	DRAWN BY RHOLTS	DATE 2004/07/21	TITLE MICRO FIT (3.0) DUAL ROW VERTICAL BMI HEADER ASSY, LEADFREE		
A2	REV		4 PLACES ±---	±---	CHECKED BY LSCHMIDT	DATE 2004/07/21	APPROVED BY FSMITH		
			3 PLACES ±---	±.010	DATE 2004/07/21	MATERIAL NO. SEE CHART			
			2 PLACES ±0.25	±.015	DATE 2004/07/21		DOCUMENT NO. SD-44432-002		
			1 PLACE ±0.38	±---			SHEET NO. 1 OF 2		
			ANGULAR ±1/2°		THIS DRAWING CONTAINS INFORMATION THAT IS PROPRIETARY TO MOLEX INCORPORATED AND SHOULD NOT BE USED WITHOUT WRITTEN PERMISSION				
			DRAFT WHERE APPLICABLE MUST REMAIN WITHIN DIMENSIONS						

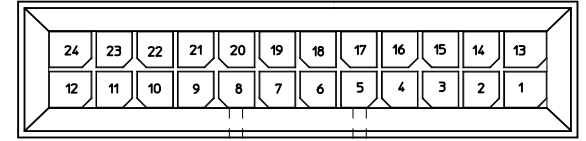
MATERIAL NUMBER	NUMBER OF POSITIONS	PLATING OPTION
44432-0652	06	A
44432-0653	06	B
44432-0853	08	B
44432-1052	10	A
44432-1853	18	B
44432-2453	24	B



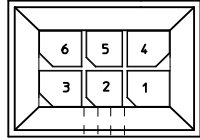
4 CIRCUIT



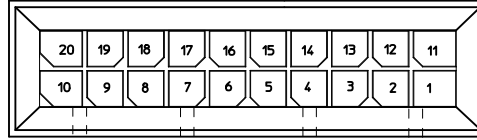
22 CIRCUIT



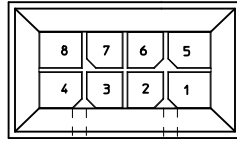
24 CIRCUIT



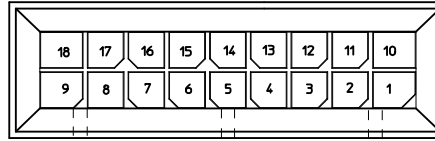
6 CIRCUIT



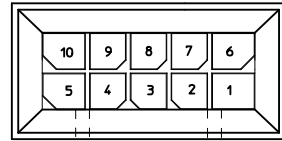
20 CIRCUIT



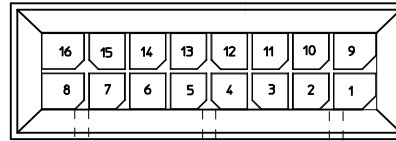
8 CIRCUIT



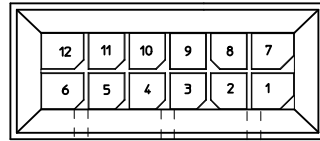
18 CIRCUIT



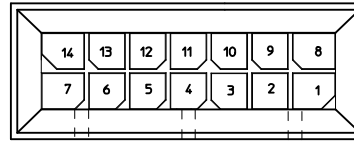
10 CIRCUIT



16 CIRCUIT



12 CIRCUIT



14 CIRCUIT

POLARIZATION LAYOUT
4-24 CIRCUITS

REDRAWN IN AMT EC NO: UCP2011-2322 DRWN: MSTR0H 2011/02/04 CHKD: SSOUSEK 2011/02/07 APPR: FSMITH 2011/07/11	QUALITY SYMBOLS 	GENERAL TOLERANCES (UNLESS SPECIFIED)		DIMENSION STYLE IN/MM	SCALE 4:1	DESIGN UNITS METRIC	THIRD ANGLE PROJECTION		
		4 PLACES ± --- ± --- 3 PLACES ± --- ± .010 2 PLACES ± 0.25 ± .015 1 PLACE ± 0.38 ± ---	mm INCH	DRAWN BY RHOLTS	DATE 2004/07/21	TITLE MICRO FIT (3.0) DUAL ROW VERTICAL BMI HEADER ASSY, LEADFREE			
		ANGULAR ±1/2°		CHECKED BY LSCHMIDT	DATE 2004/07/21	Molex MOLEX INCORPORATED			
		DRAFT WHERE APPLICABLE MUST REMAIN WITHIN DIMENSIONS		APPROVED BY FSMITH	DATE 2004/07/21	SEE CHART SEE CHART	DOCUMENT NO. SD-44432-002	SHEET NO. 2 OF 2	
A2	REV	THIS DRAWING CONTAINS INFORMATION THAT IS PROPRIETARY TO MOLEX INCORPORATED AND SHOULD NOT BE USED WITHOUT WRITTEN PERMISSION							