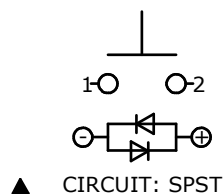
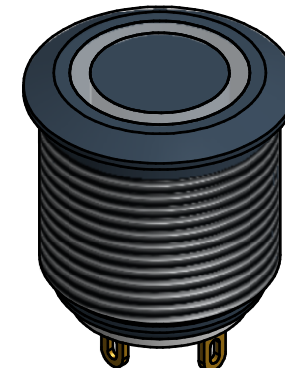
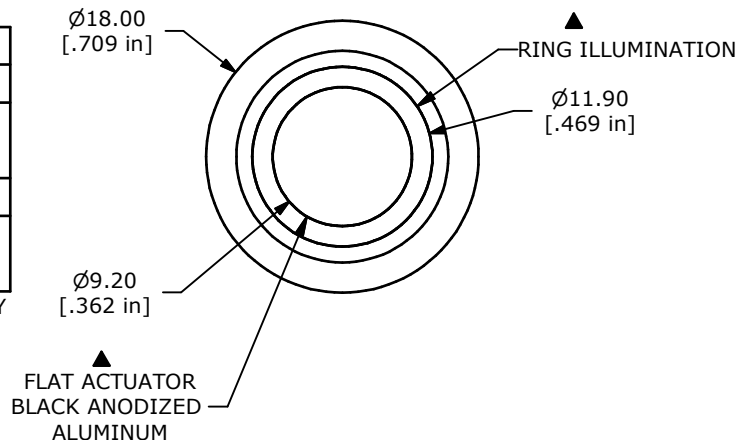
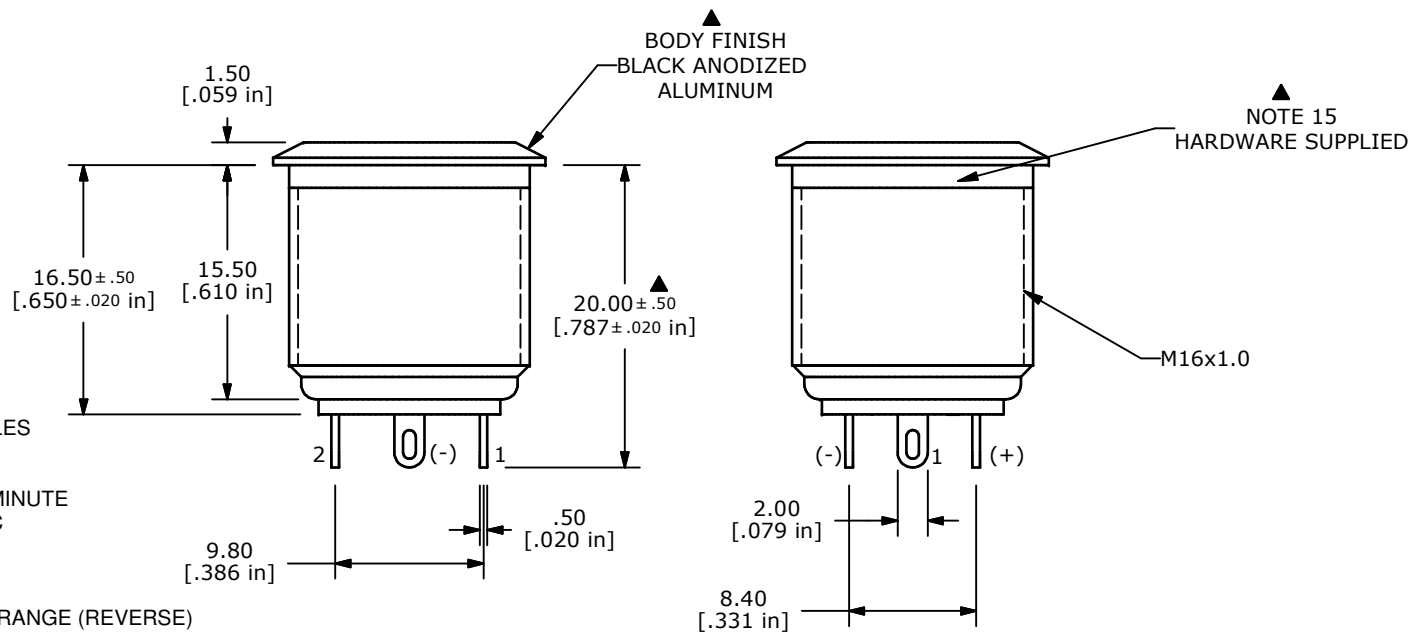


SWITCH FUNCTION	
POS. 1	POS. 2
OFF	(ON)
OPEN	1-2

(ON) = MOMENTARY



- NOTE:
- ALL DIMENSIONS IN MM [INCH]
  - GENERAL TOLERANCE: X.X=±0.4  
X.XX=±0.25
  - TERMINAL NUMBERS FOR REF ONLY
  - CONTACT MATERIAL: GOLD PLATED
  - RATING: 2A 48VDC
  - ELECTRIC LIFE: 200,000 MAKE-AND-BREAK CYCLES AT FULL LOAD.
  - INSULATION RESISTANCE: 1,000 MΩ MIN.
  - DIELECTRIC STRENGTH: 2,000 VAC MIN. FOR 1 MINUTE
  - CONTACT RESISTANCE: 50mΩ MAX. @ 1A 12VDC
  - OPERATING TEMP.: -20°C to 55°C
  - TRAVEL: 1.8mm
  - ▲ DENOTES CRITICAL PARAMETER.
  - ILLUMINATION COLOR: ORANGE (FORWARD), ORANGE (REVERSE)
  - HARDWARE SUPPLIED: O-RING AND HEXNUT (NOT SHOWN)
  - ILLUMINATION BASE RATING: 20mA 1.8V
  - 2002/95/EC (ROHS) COMPLIANT



NOTE 15  
HARDWARE SUPPLIED



A	21311	RELEASE FOR PRODUCTION	12/2/13	EBP
REV	PCR NO	DESCRIPTION	DATE	BY

TITLE PV6F24011G-321				
SCALE	DATE 12/2/2013	DR EBP	DWG 52-PV6F24011G321	REV A

THE INFORMATION CONTAINED IN THIS DOCUMENT IS PROPRIETARY TO E-SWITCH AND IS NOT TO BE COPIED OR TRANSFERRED