

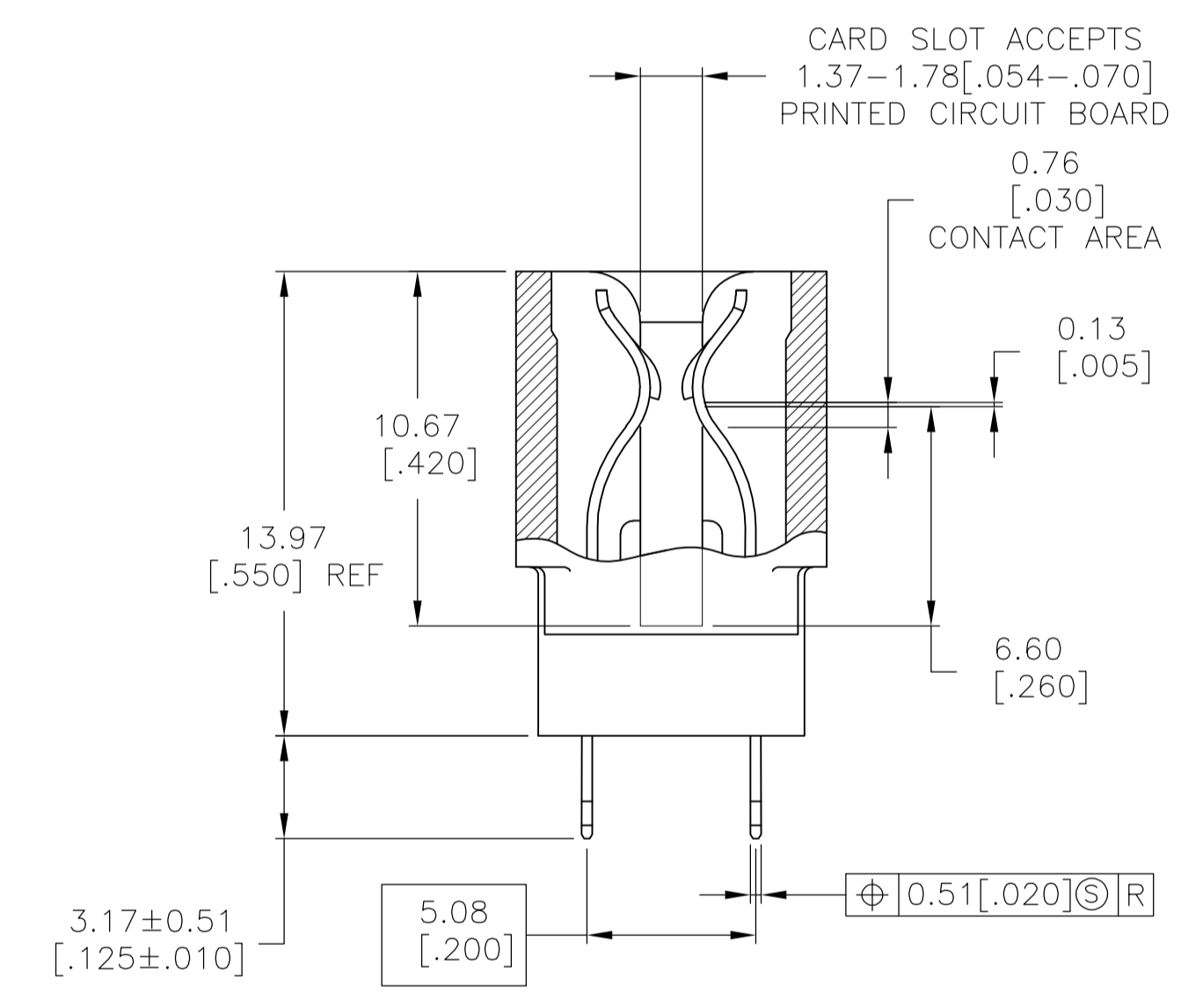
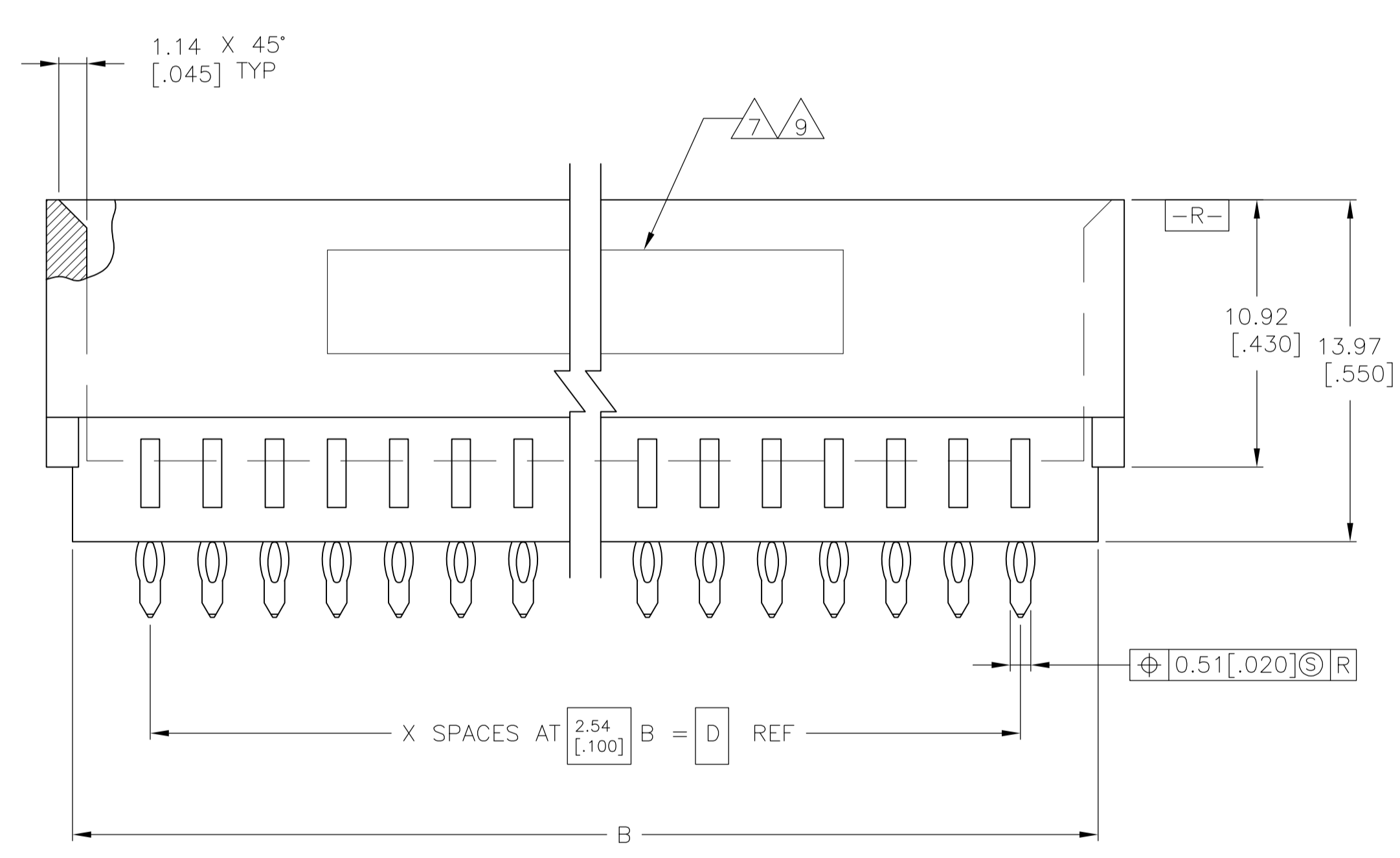
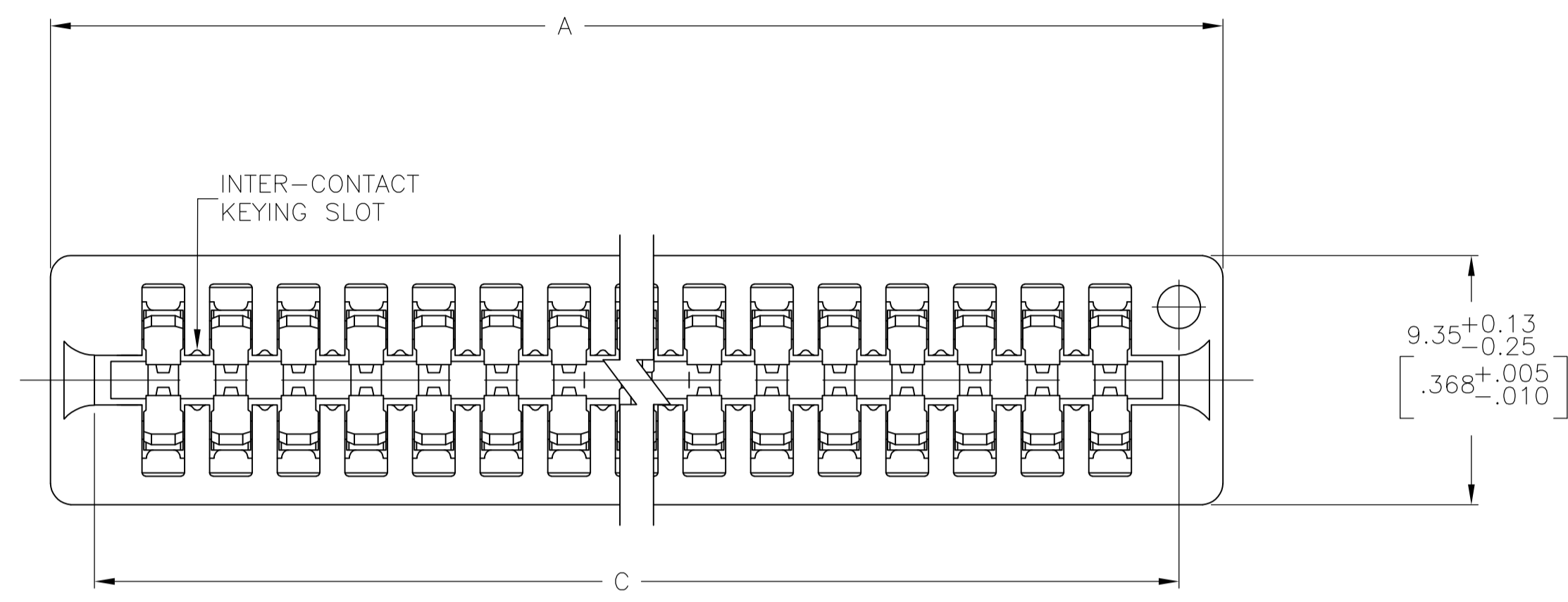
Table with columns: Loc, DIST, REVISIONS, DATE, DWN, APVD.

Main dimensions table with columns: D, C, B, A, X, POSN, PART NO. Contains multiple rows of dimensions and part numbers.

- 1 HOUSING: GLASS FILLED POLYESTER; COLOR: BLACK.
2 CONTACT: PHOSPHOR BRONZE.
3 NICKEL PLATE: 0.00127 [.000050] MIN - ALL OVER.
4 TIN-LEAD PLATE: 0.00254 [.000100] MIN - SOLDER POSTS.
5 GOLD PLATE: 0.00076 [.000030] MIN - CONTACT AREA.
6 NICKEL PLATE PER MIL-G-45204. GOLD PLATE PER QQ-N-290.
7 TE PART NUMBER, DATE CODE AND CSA LOGO MAY BE MARKED IN APPROXIMATE AREA SHOWN, EITHER SIDE.
8 RECOMMENDED PCB FINISHED HOLE DIA: 1.02±0.08[.040±.003]
9 COUNTRY OF ORIGIN MAY BE MARKED IN APPROXIMATE AREA SHOWN, EITHER SIDE.
10 OBSOLETE PARTS: OBSOLETE CIS STREAMLINING PER D.RENAUD/D.SINISI

Administrative section including: THIS DRAWING IS A CONTROLLED DOCUMENT, DIMENSIONS, TOLERANCES, MATERIAL, FINISH, WEIGHT, and CUSTOMER DRAWING information.





THIS DRAWING IS A CONTROLLED DOCUMENT.		DIN R BROWN 31JUL00	TE Connectivity
DIMENSIONS: mm [INCHES]		CHK M MILLER 31JUL00	
TOLERANCES UNLESS OTHERWISE SPECIFIED:		APP'D M MILLER 31JUL00	NAME
0 PLC ± -			CONNECTOR ASSEMBLY, NEXT GEN PACE, 2.54 [.100] CL
1 PLC ± -			PRODUCT SPEC
2 PLC ± 0.13 [.005]			APPLICATION SPEC
3 PLC ± -			SIZE
4 PLC ± -			CAGE CODE
ANGLES ± -			DRAWING NO
MATERIAL HOUSING 1	FINISH 3 4 5 6	WEIGHT -	RESTRICTED TO
CONTACT 2		A1 00779 C=147490	
CUSTOMER DRAWING		SCALE 5:1	SHEET 2 OF 2 REV G