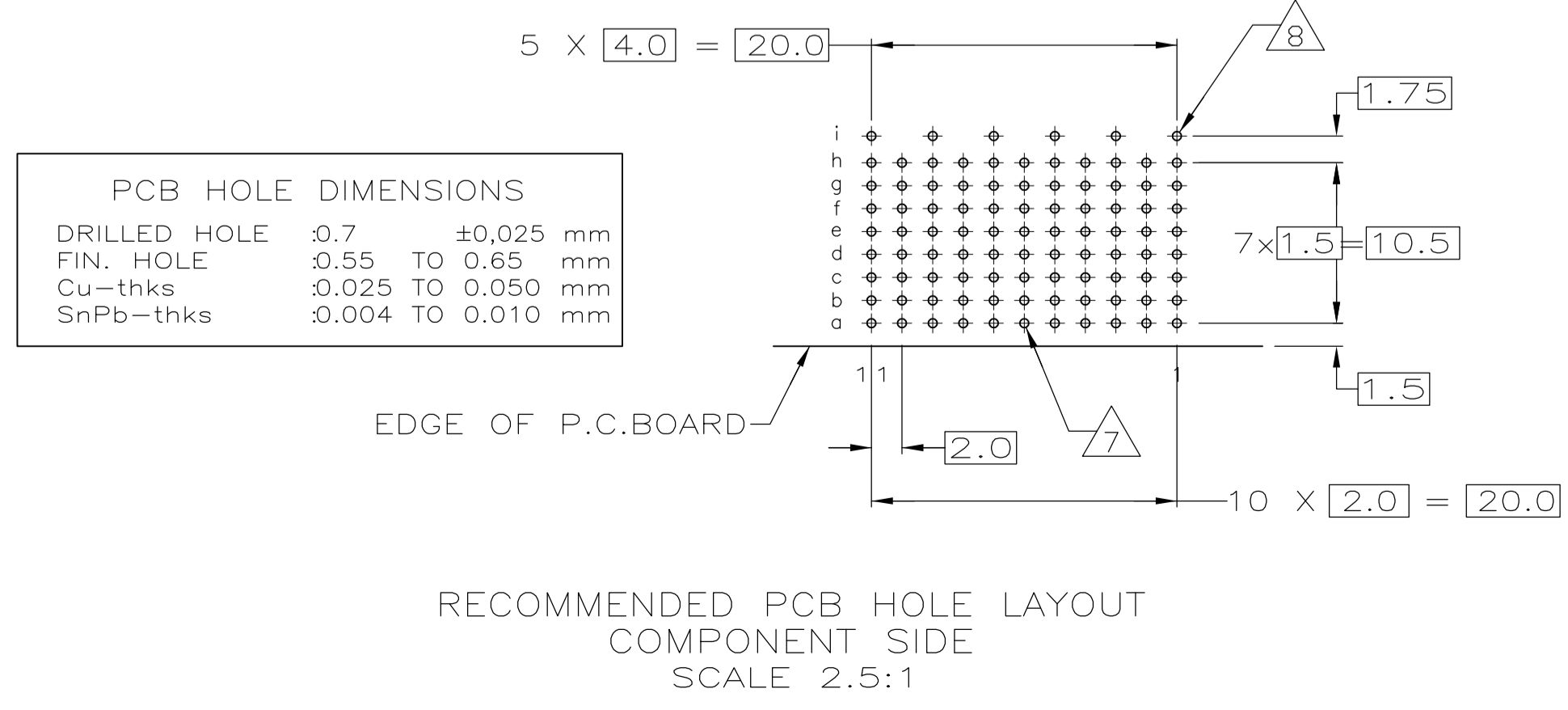
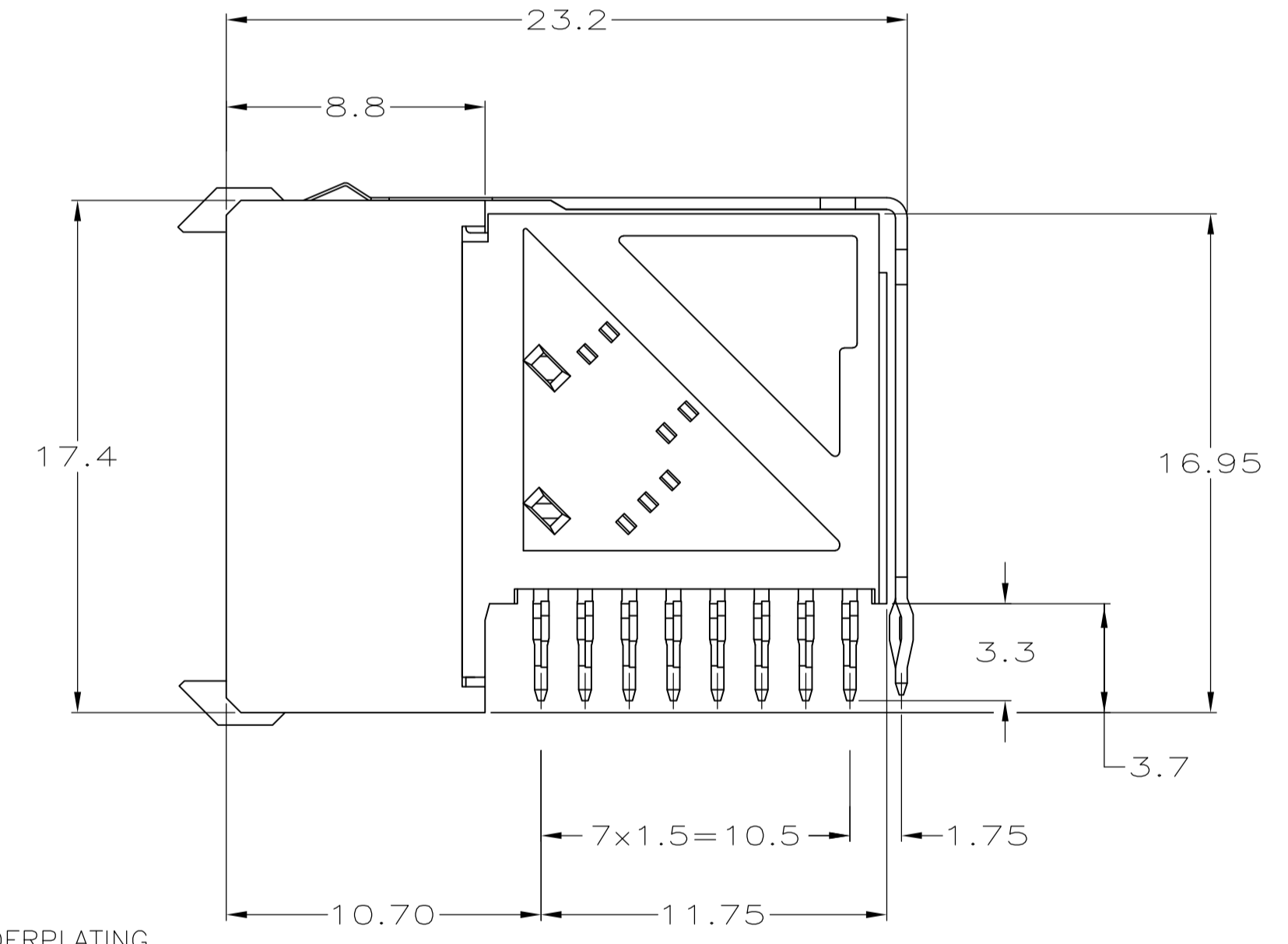
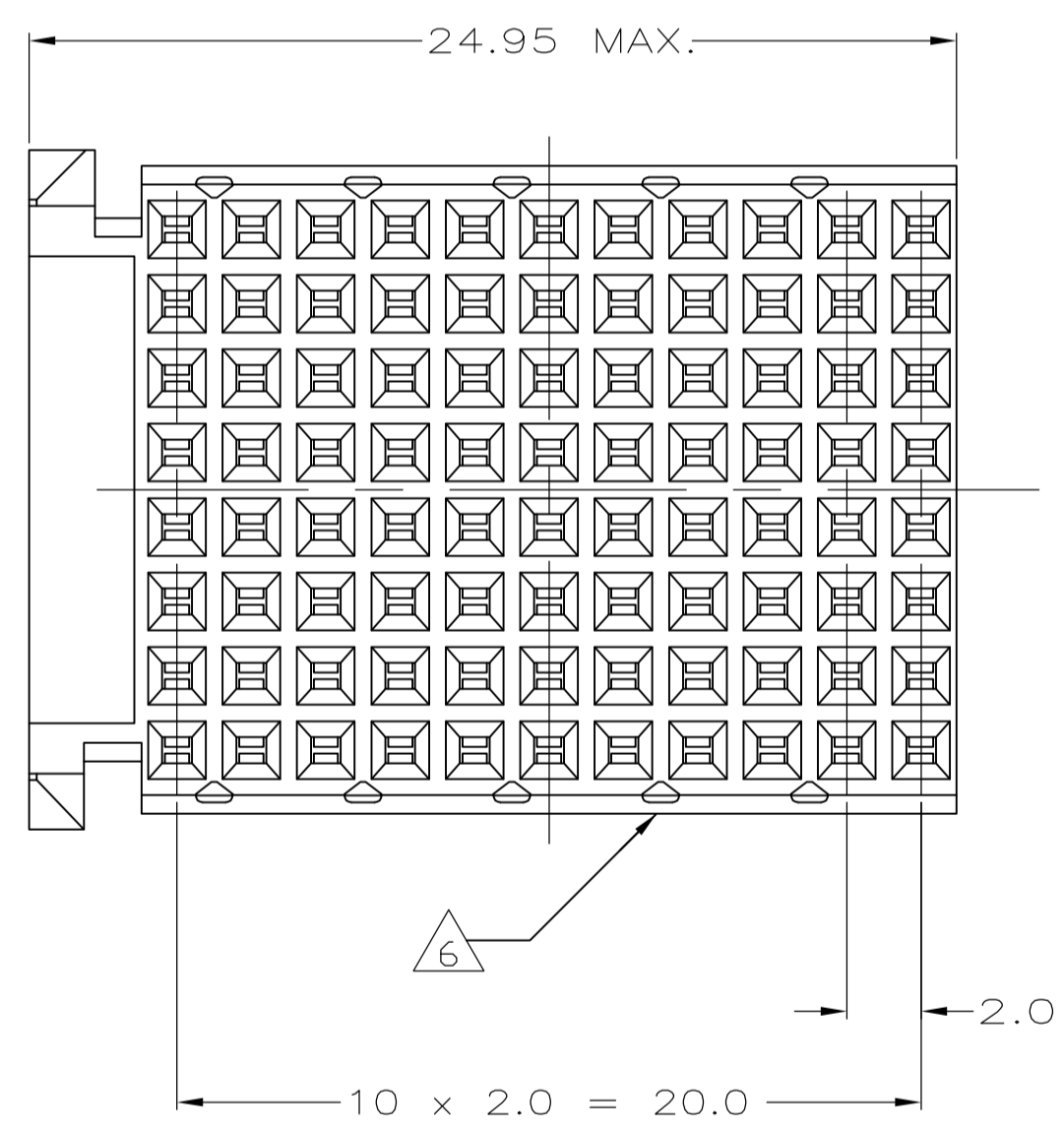
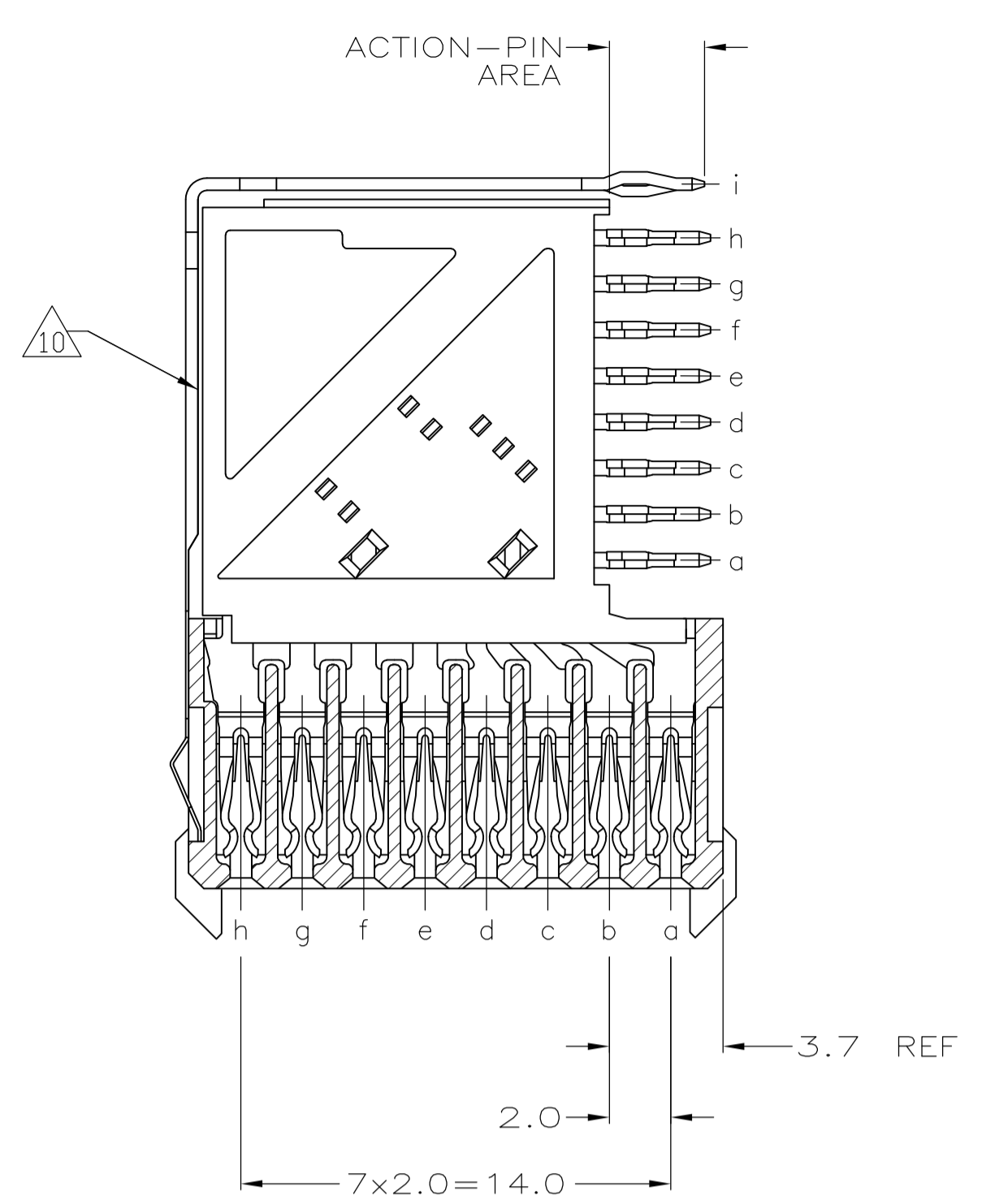
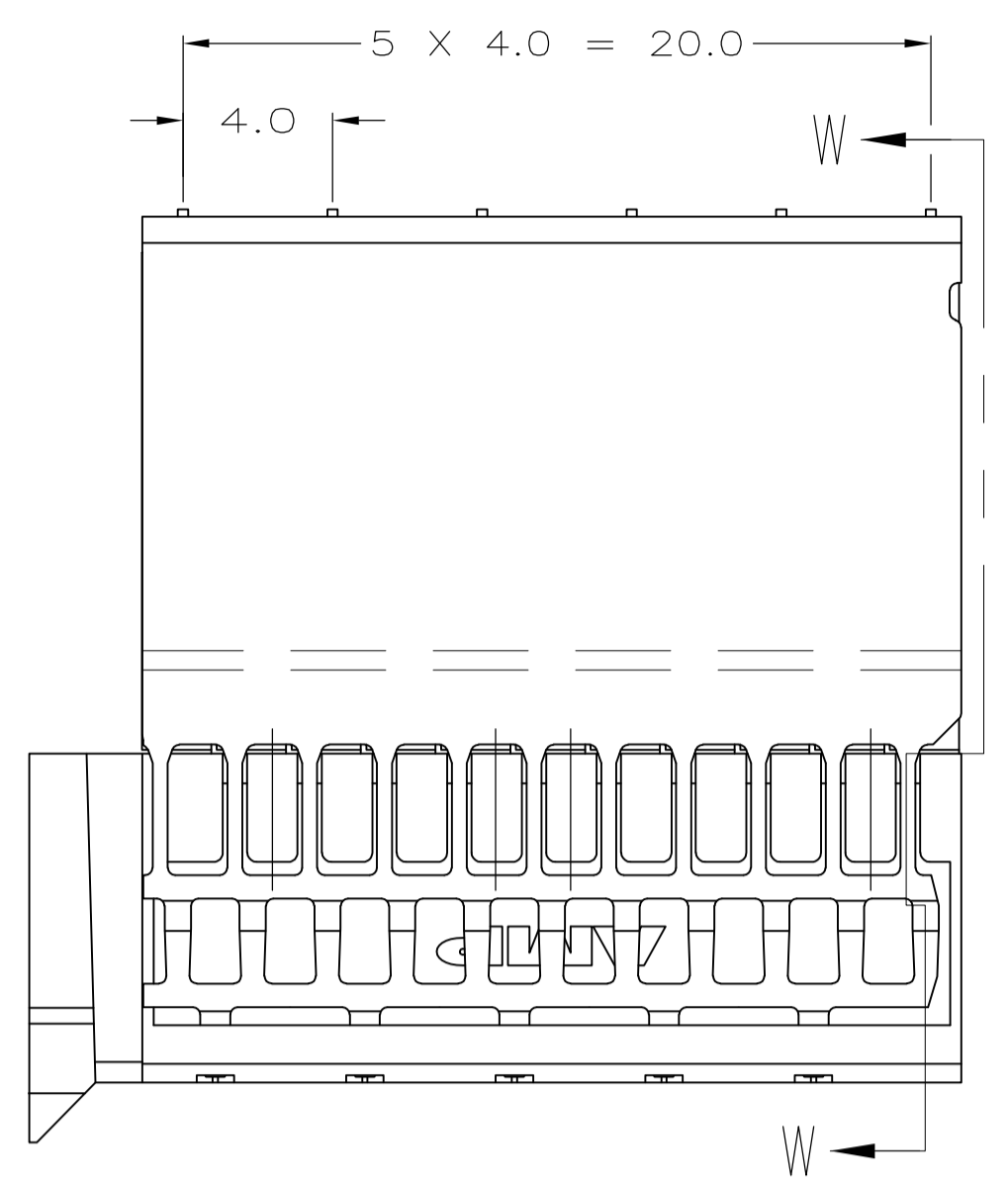


LOC		DIST		REVISIONS			
P	LTR	DESCRIPTION	DATE	DNW	APVD		
J2		REVISED PER ECO-10-001916	09MAR2010	JY	SY		
K		ECR-10-018652	10SEP10	JS	MQW		
L		ECO-11-024491	13DEC11	SY	MQW		
M		ECR-12-010544	05DEC12	SY	AC		



- 1 MATERIAL:
CONTACT: PHOSPHOR BRONZE.
HOUSING: GLASS-FILLED POLYESTER.
- 2 GENERAL PLATING SPECIFICATION: UNDERPLATING
(ENTIRE CONTACT): 1.27µm MIN NICKEL AND ACTION
PIN: 0.5µm MIN TIN/LEAD.
FOR PLATING OF MATING SURFACES SEE APPLICABLE
SPECIFICATION REFERENCE FOR EACH DASH NUMBER.
- 3 CONFORMS TO ALL TESTING ACCORDING TO IEC 61076-4-101
PERFORMANCE LEVEL 2.
- 4 CONNECTOR TESTED AND QUALIFIED AGAINST TELCORDIA GR-1217-CORE QUALITY LEVEL 3,
CENTRAL OFFICE APPLICATIONS.
- 5 CONNECTOR TESTED AND QUALIFIED AGAINST TELCORDIA GR-1217-CORE QUALITY LEVEL 3,
UNCONTROLLED ENVIROMENT APPLICATIONS.
- 6 CONNECTOR MARKED WITH PART NUMBER AND DATE CODE.
ADDITIONAL CHARACTERS OR MARKINGS, AS WELL AS THE LOCATION OF THE MARKINGS,
MAY BE ADDED FOR TRACEABILITY BASED UPON MANUFACTURERS DISCRETION.
- 7 PLATED-THROUGH HOLES AT 2x1.5mm GRID
88 TOTAL HOLES.
- 8 ROW "i" 6 PLATED THROUGH HOLES FOR UPPERSHIELD.
- 9 CONNECTOR & SHIELD LUBRICATED WITH BELCORE APPROVED LUBRICANT,
TECHNICAL REFERENCE: TR-NWT-001217 ISSUE 1, SEP 1992.
- 10 SHIELD MOUNTED ON CONNECTOR WITH DOUBLE SIDED ADHESIVE TAPE
OR ADHESIVE.
- 11 0.76µm MIN GOLD PLATING AT MATING SURFACES.

	2 3 11	3-646492-0
OBSOLETE	2 5 9	1-646492-9
OBSOLETE	2 4 9	646492-9
OBSOLETE	2 3	646492-1
	FINISH	PART NUMBER

THIS DRAWING IS A CONTROLLED DOCUMENT.

DIMENSIONS:	TOLERANCES UNLESS OTHERWISE SPECIFIED:	DIN B. CARDO 06DEC05	Tyco Electronics Corporation
mm	0-PLC ±	CHK G. SKIPPER 06DEC05	Harrisburg, PA 17105-3608
	1-PLC ±0.1	APVD G. SKIPPER 06DEC05	NAME
	2-PLC ±	PRODUCT SPEC	R/A RECEPTACLE ASSY, 88 POSN, TTR
	3-PLC ±	APPLICATION SPEC	8 ROW, TYPE F, Z-PACK 2mm HM
	4-PLC ±	WEIGHT	SIZE CAGE CODE DRAWING NO
	ANGLES	RESTRICTED TO	A1 00779 C=646492
MATERIAL	FINISH SEE TABLE	CUSTOMER DRAWING	SCALE 5:1 SHEET 1 OF 1 REV M