

TECHNICAL DATA

'' D '' SUBMINIATURE CONNECTORS

SHELL : Steel
 finish : tinned

BODY : Glass filled thermoplastic ;
 Colour : black .

CONTACTS : Material for sockets : brass
 Material for pins brass
 Finish of contact mating area :
 20µ inch Gold over Nickel

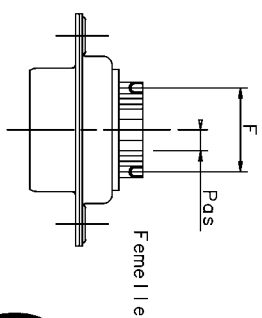
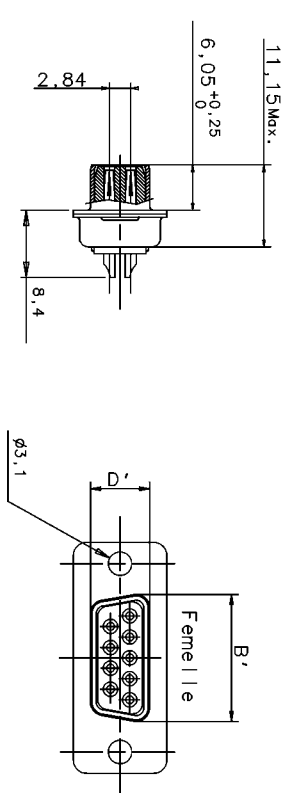
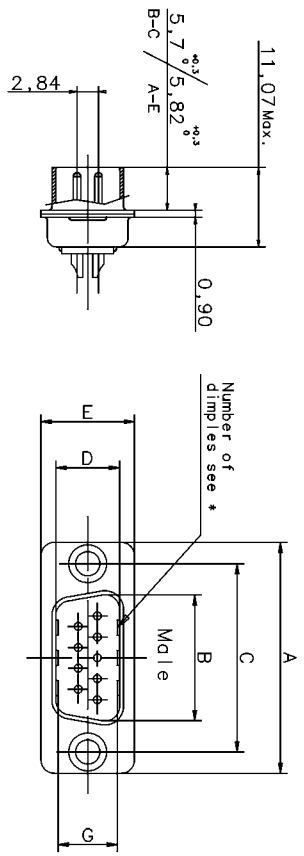
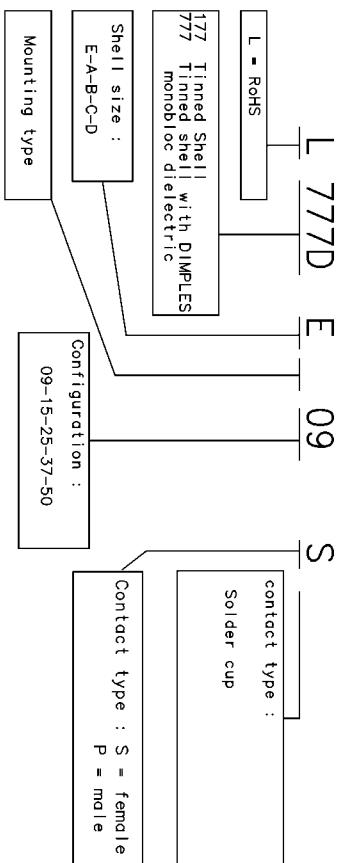
ELECTRICAL Voltage rating : 300 V Rms to 50Hz .
 Nominal current : 7,5 A (size20)
 Voltage proof : >1000 V Rms to 50 Hz
 Contact resistance : <8,5m Ohms .
 Insulator resistance : >5000 M Ohms.

CLIMATIC Temperature range -55°C +85°C
 Damp heart 21 days (40°C - 95 % RH)

MECHANICAL Insertion force per contact 1,2N < F < 2,5 N
 Extraction force per contact 0,4 N mini
 Mating and unmating force size

A 30N maxi 3,5N mini
 B 83N maxi 4,5N mini
 C 123N maxi 8,0N mini
 D 166N maxi 14,5N mini
 (With or without dimples)

MARKING Amphenol -(serie number)
 Commercial reference
 Manufacturing date



Profile	A	B'	B	C	D'	D	E	F ±0,05	Pds	G	*
E	30,43	16,49	16,94	24,12	8,92	8,48	12,92	10,98	2,74	7,62	2x3
A	38,74	24,54	25,12	33,20	8,92	8,48	12,92	19,20	2,74	7,62	2x5
B	52,65	38,25	38,84	46,91	8,92	8,48	12,92	33,12	2,76	7,62	2x8
C	68,70	54,97	55,50	63,57	8,92	8,48	12,92	49,68	2,76	7,62	2x12
D	86,31	72,30	72,88	81,99	10,82	10,35	14,99	66,24	2,76	10,5	2x12

DATE DU TIRAGE N ETUDE N OUTIL N CLIENT

COMMUNICATION ET UTILISATION INTERDITES SAUF AUTORISATION

Amphenol Socapex
 Usine de Dole

PLAN NOTICE

DESIGNATION L 777D

IND. MODIF. DATE

Creation plan 23/12/05 Valat

ECHELLE: 1:5

POSS. ER. NOT. CE-170