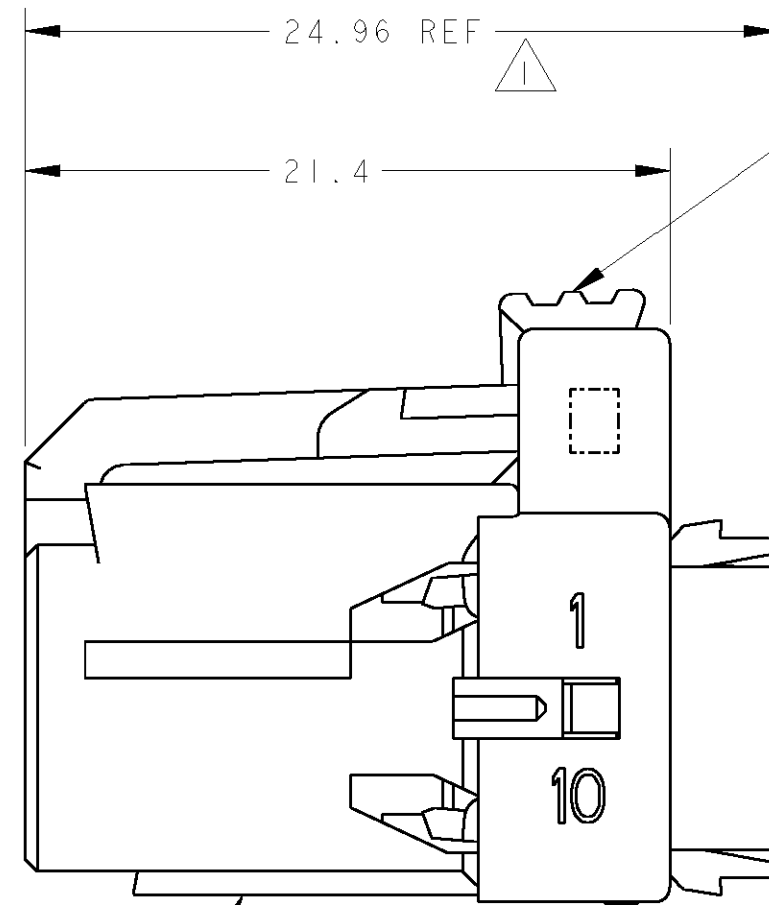
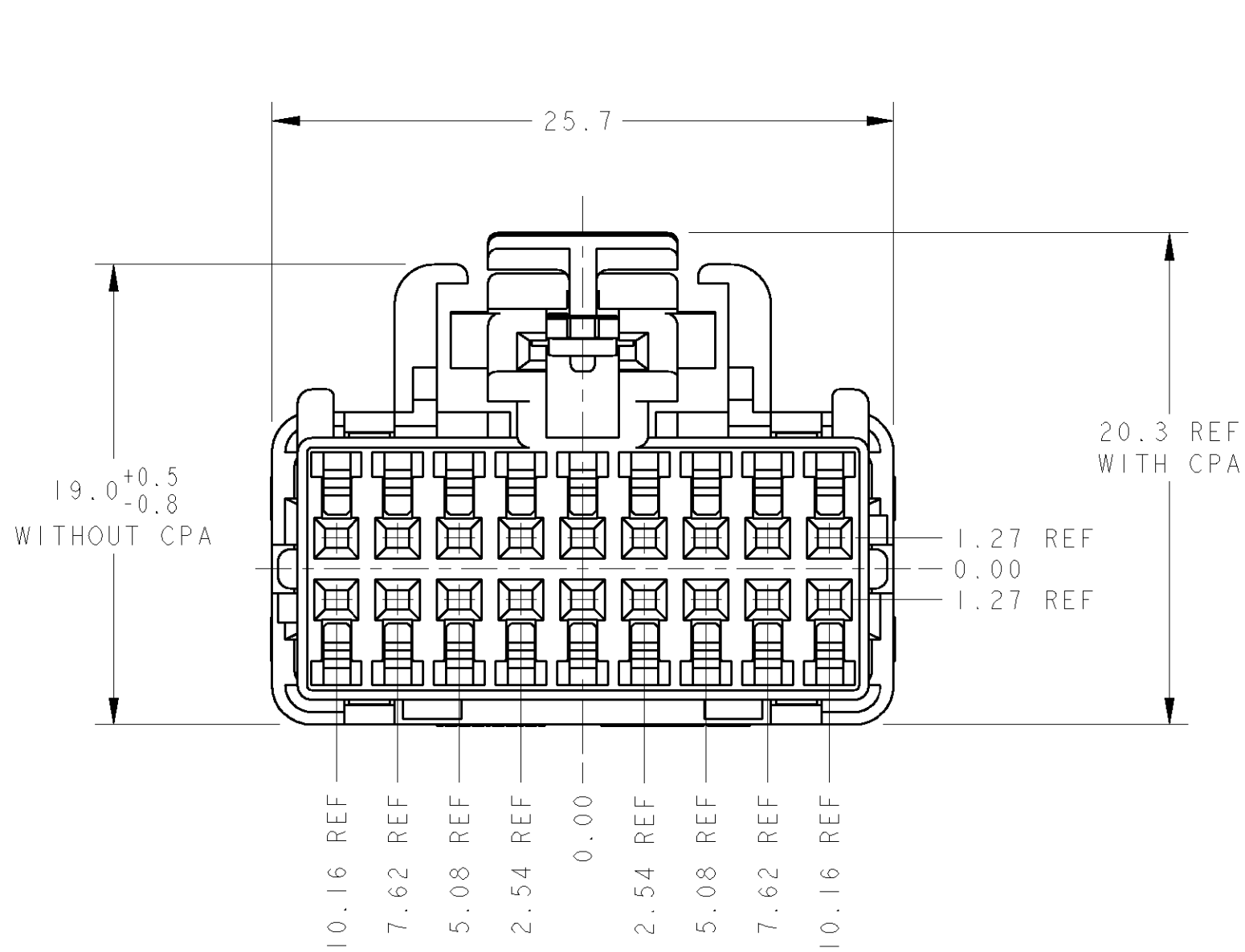


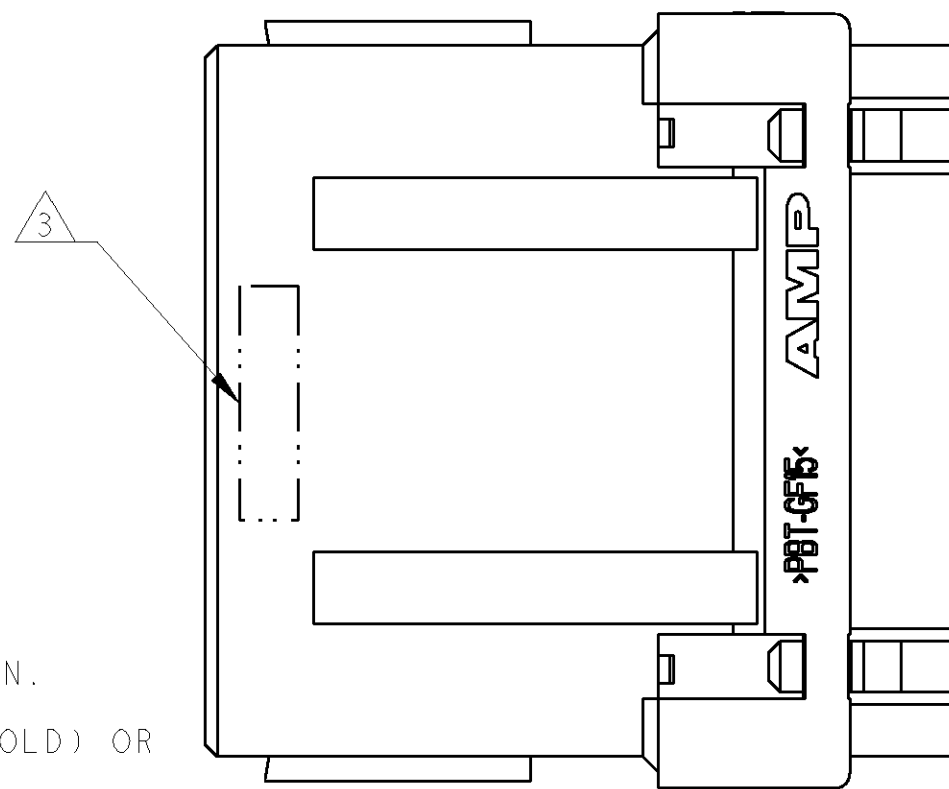
THIS DRAWING IS UNPUBLISHED. RELEASED FOR PUBLICATION  
 © COPYRIGHT 19 BY TYCO ELECTRONICS CORPORATION. ALL RIGHTS RESERVED.

LOC	DIST	REVISIONS					
		P	LTR	DESCRIPTION	DATE	DWN	APVD
FX	00		O	RELEASED PER NPR 2001005	23JAN2001	DWF	AME
			A	0K80-0031-01	13MAR2001	JRB	AME
			B	0K80-0048-01	23MAR2001	JRB	AME
			C	0K80-0124-01	25MAY2001	JRB	AME



HOUSING  
 MAT'L: PBT, 15% GLASS FILLED,  
 BLENDED WITH 25% MAX. REGRIND.  
 COLOR: ( SEE TABLE )

REAR TPA  
 MAT'L: PBT, UNFILLED,  
 BLENDED WITH 25% MAX. REGRIND.  
 COLOR: GRAY



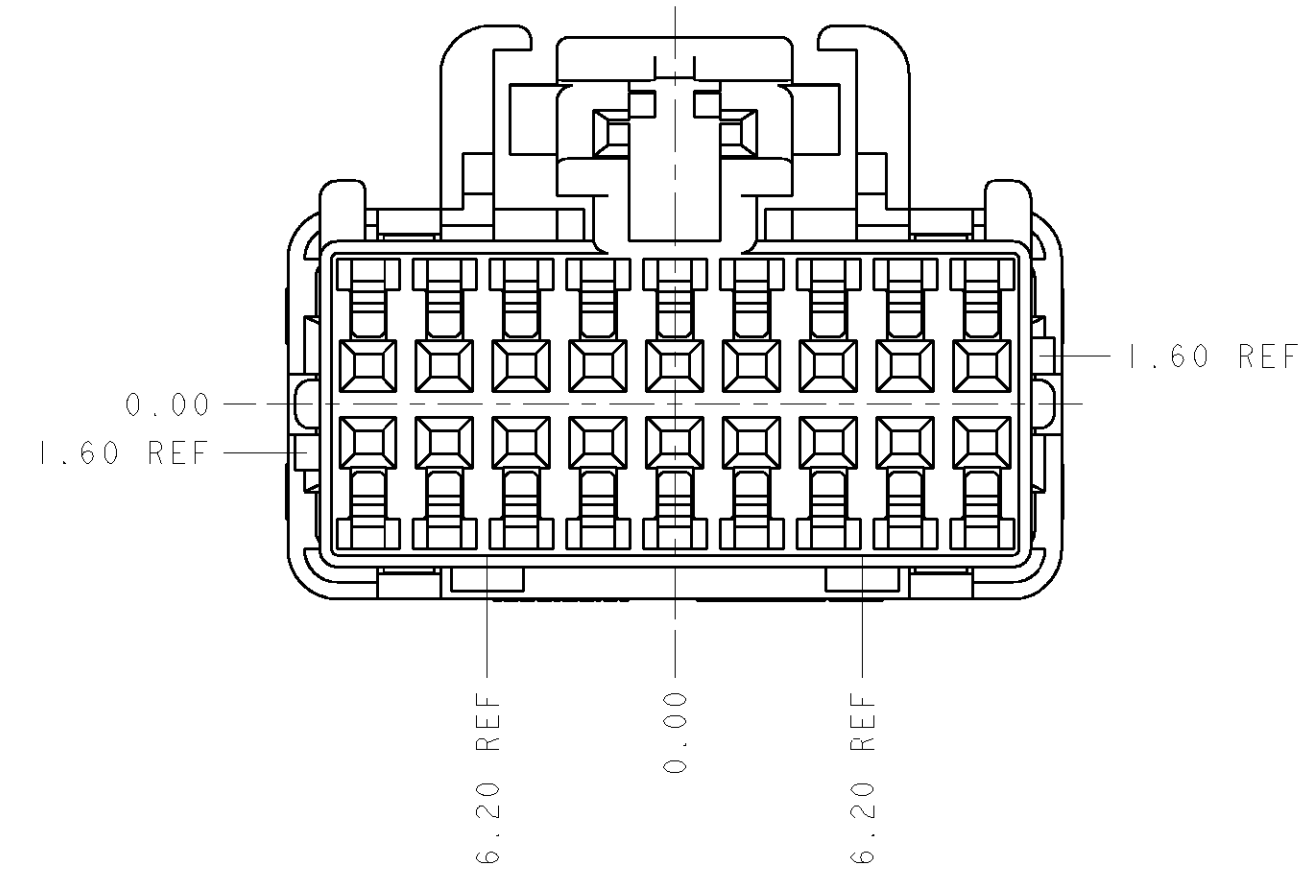
- 638397-7 SHOWN.
- TPA SHOWN IN PRE-LATCHED POSITION.
- MARK 4 DIGIT JULIAN DATE CODE (DDDY) IN APPROXIMATE AREA SHOWN.
- TERMINALS SOLD SEPARATELY, SEE AMP RECOMMENDED P/N 1326028 (GOLD) OR 638551 (TIN) FOR TERMINATION AND REELING OPTIONS.
- THIS PRODUCT HAS MINIMUM MIMATING FORCE OF 100 NEWTONS.

OBSOLETE			1-638397-2
NATURAL	I	"E"	1-638397-1
GREEN	I	"D"	1-638397-0
BLUE	I	"C"	638397-9
YELLOW	I	"B"	638397-8
BLACK	I	"A"	638397-7
OBSOLETE			638397-6
NATURAL	N/A	"E"	638397-5
GREEN	N/A	"D"	638397-4
BLUE	N/A	"C"	638397-3
YELLOW	N/A	"B"	638397-2
BLACK	N/A	"A"	638397-1
COLOR	CPA QTY	KEYING ARRANGEMENT ( SEE SHEET 2 )	PART NUMBER

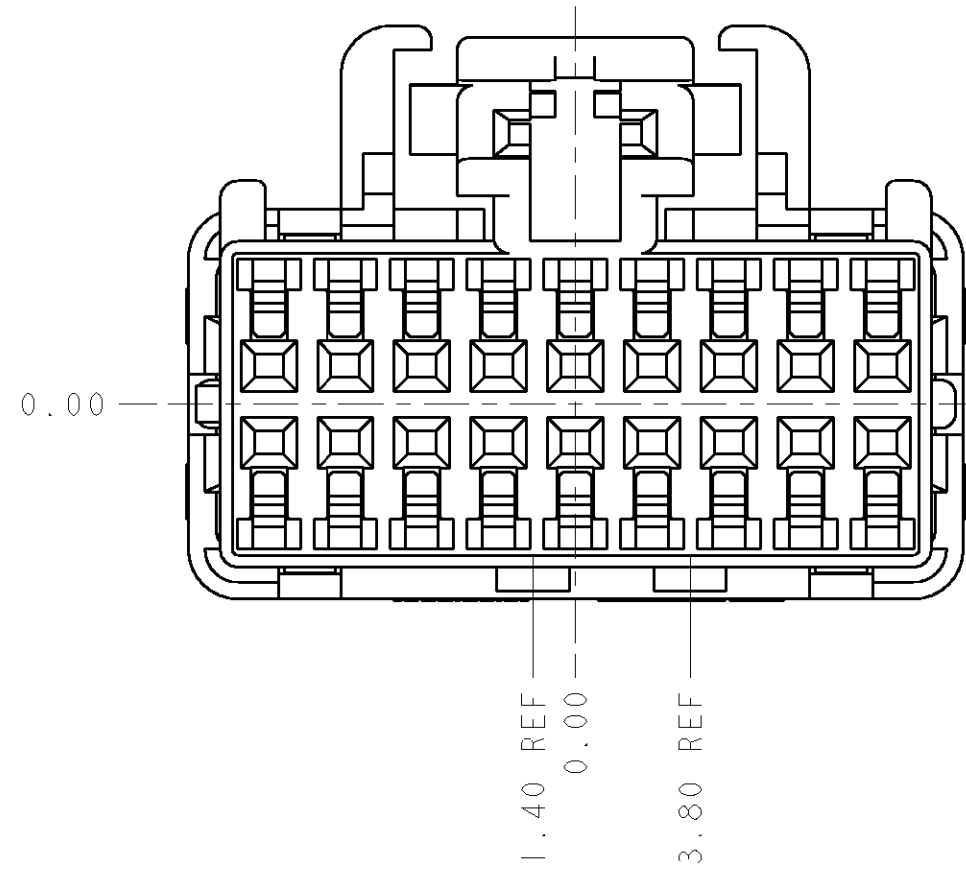
THIS DRAWING IS A CONTROLLED DOCUMENT FOR TYCO ELECTRONICS CORPORATION IT IS SUBJECT TO CHANGE AND THE CONTROLLING ENGINEERING ORGANIZATION SHOULD BE CONTACTED FOR THE LATEST REVISION.		DWN K. FOLTZ 26AUG99	AMP Incorporated Harrisburg, PA 17105-3608	
DIMENSIONS: mm		CHK A. EBRAHEEM 23JAN2001	NAME PLUG ASSEMBLY, UNSEALED, 18 POSITION, 0.64mm CONNECTOR	
TOLERANCES UNLESS OTHERWISE SPECIFIED: 0 PLC ± 1 PLC ±0.4 2 PLC ±0.30 3 PLC ± 4 PLC ± ANGLES ± FINISH -		APVD G. BALON 23JAN2001	RESTRICTED TO	
MATERIAL -		PRODUCT SPEC SAE/USCAR-2 8/97	SIZE A2	CAGE CODE 00779
		APPLICATION SPEC -	DRAWING NO 638397	SCALE 4:1
		WEIGHT -	SHEET 1 OF 2	
		CUSTOMER DRAWING	REV C	

THIS DRAWING IS UNPUBLISHED. RELEASED FOR PUBLICATION  
 © COPYRIGHT 19 BY TYCO ELECTRONICS CORPORATION. ALL RIGHTS RESERVED.

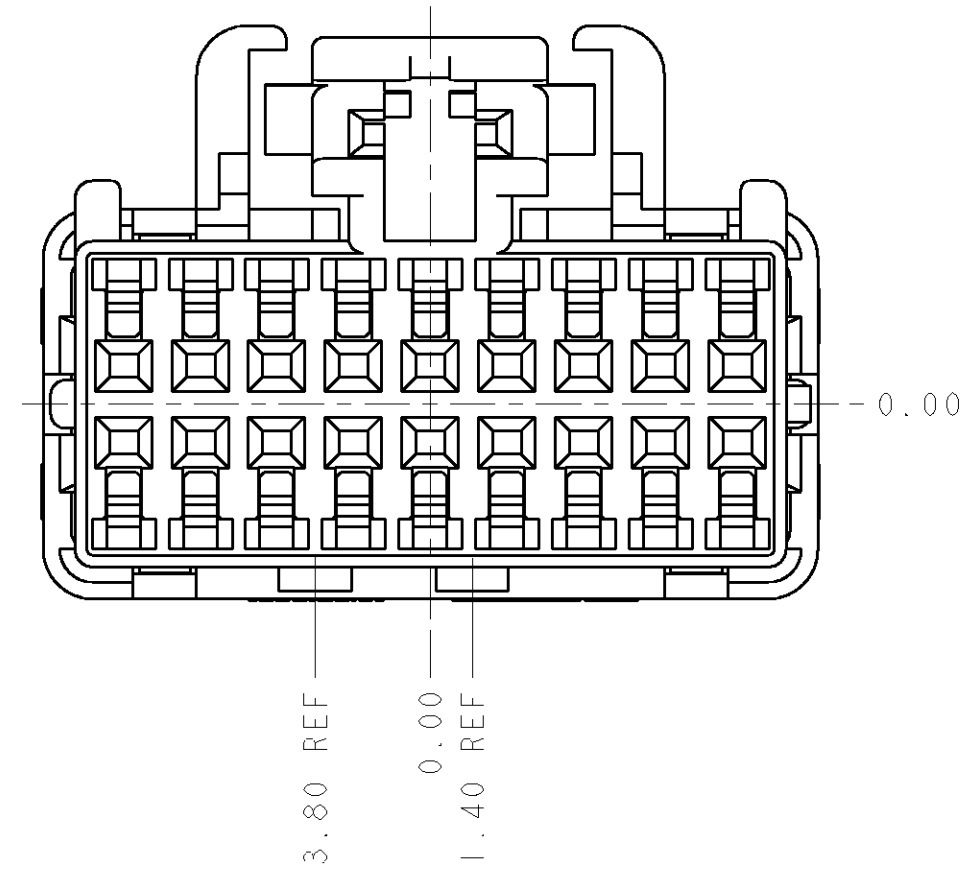
LOC	DIST	REVISIONS			
P	LTR	DESCRIPTION	DATE	DWN	APVD
FX	00	-	SEE SHEET 1	-	-



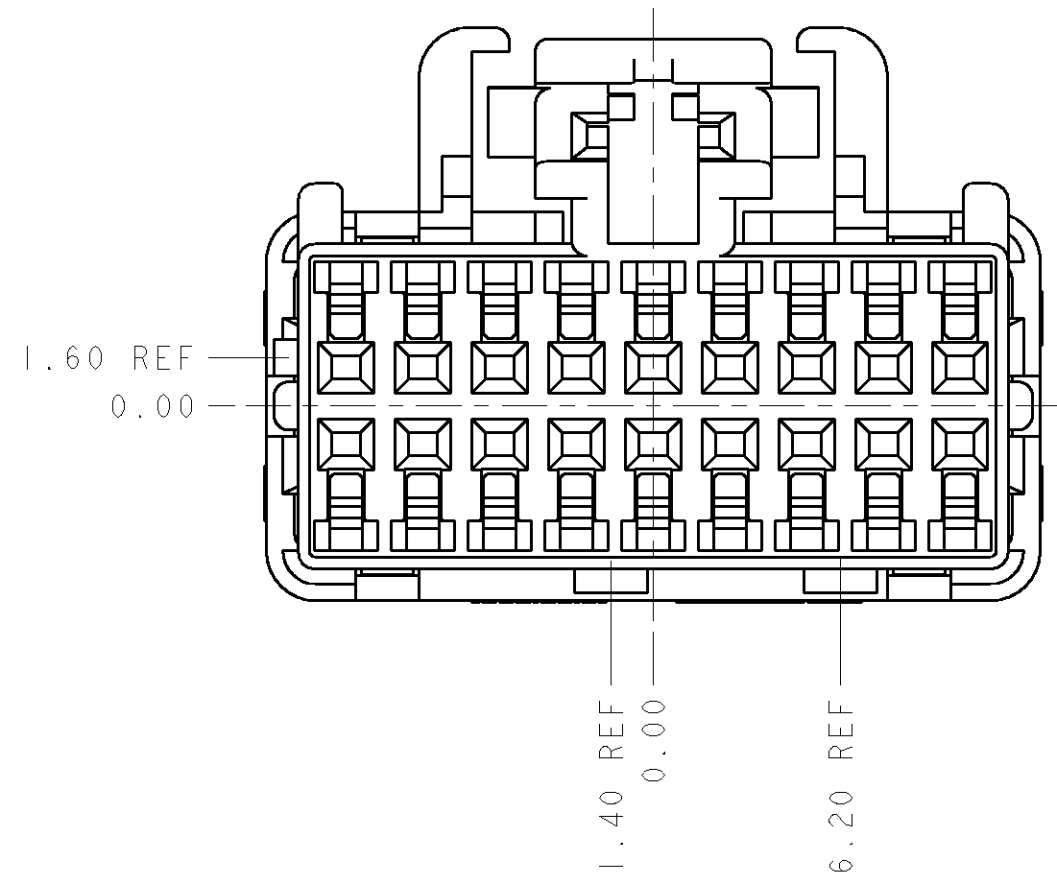
KEY CODE "A"  
SCALE 4:1



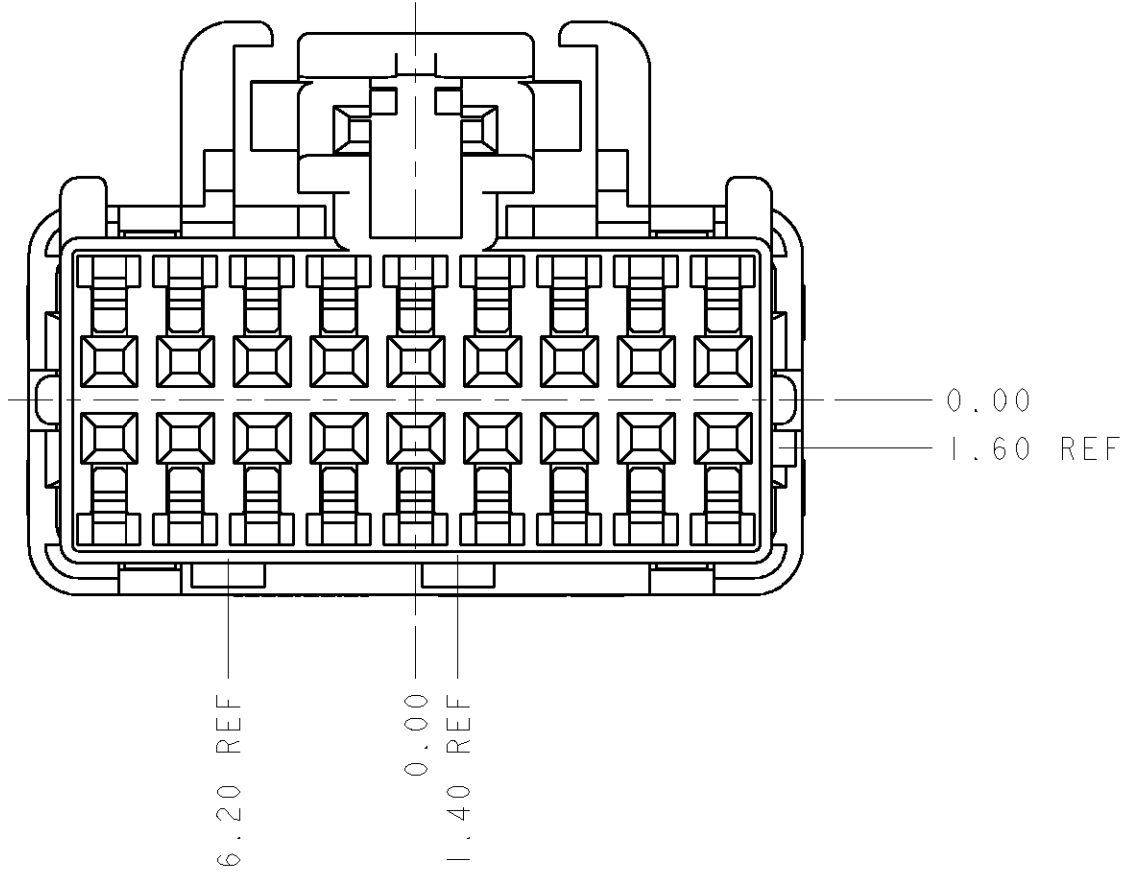
KEY CODE "B"  
SCALE 4:1



KEY CODE "C"  
SCALE 4:1



KEY CODE "D"  
SCALE 4:1



KEY CODE "E"  
SCALE 4:1

<small>THIS DRAWING IS A CONTROLLED DOCUMENT FOR TYCO ELECTRONICS CORPORATION          IT IS SUBJECT TO CHANGE AND THE CONTROLLING ENGINEERING ORGANIZATION          SHOULD BE CONTACTED FOR THE LATEST REVISION.</small>		DWN K. FOLTZ 26AUG99 CHK A. EBRAHEEM 23JAN2001 APVD G. BALON 23JAN2001	AMP Incorporated Harrisburg, PA 17105-3608
DIMENSIONS: mm 		PRODUCT SPEC - APPLICATION SPEC - WEIGHT -	
TOLERANCES UNLESS OTHERWISE SPECIFIED: 0 PLC ± 1 PLC ±0.4 2 PLC ±0.30 3 PLC ± 4 PLC ± ANGLES ± FINISH -		CUSTOMER DRAWING	SIZE A2 CAGE CODE 00779 DRAWING NO. 638397 RESTRICTED TO - SCALE 4:1 SHEET 2 OF 2 REV C