

THIS DRAWING IS UNPUBLISHED.

RELEASED FOR PUBLICATION

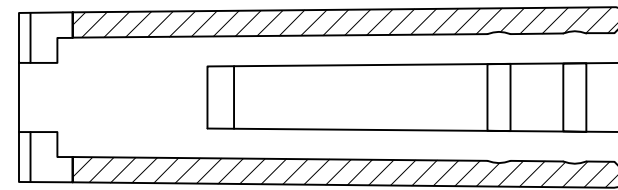
ALL RIGHTS RESERVED.

© COPYRIGHT - By -

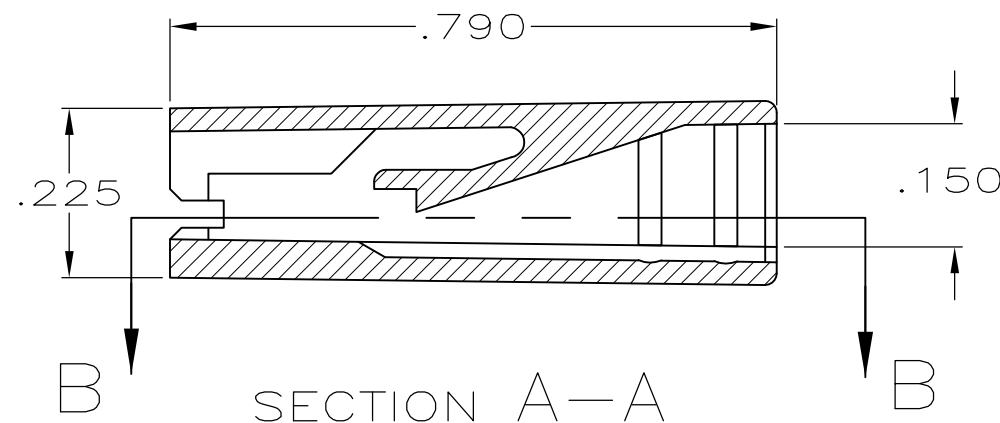
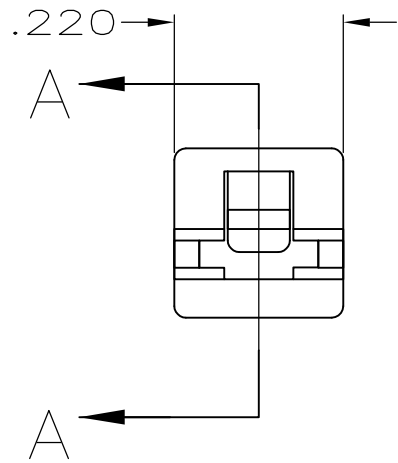
LOC	DIST	REVISIONS					
		P	LTR	DESCRIPTION	DATE	DWN	APVD
AF	50		L2	REVISED PER ECO-11-004820	11MAR11	RK	HMR

△1 POLYIMIDE UL94, V2, ACCORDING TO IEC 60335-1 GLOW IWRE.

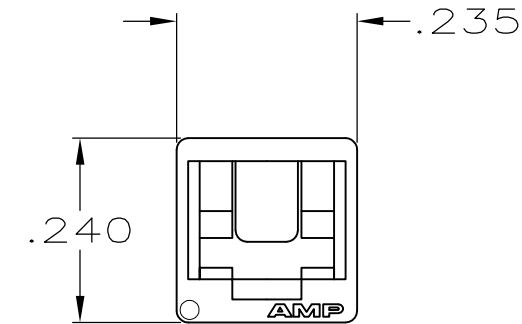
△2 PRELIMINARY - NOT FOR PRODUCTION




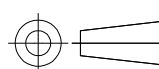
SECTION B-B



SECTION A-A



NATURAL	△1 NYLON, V2	△2 1-480417-3
NATURAL	NYLON, V0	△2 1-480417-2
BLACK	NYLON, V2	1-480417-1
NATURAL	NYLON, V2	1-480417-0
COLOR	MATERIAL	PART NO.

THIS DRAWING IS A CONTROLLED DOCUMENT.		DWN	JR RUTH	2/8/91	 <b>TE Connectivity</b>								
DIMENSIONS: INCHES		CHK	MS FEHER	2/8/91				NAME HOUSING, RECEPTACLE, FASTON, .110 SERIES					
		APVD	D REINER	2/8/91							SIZE A3 00779		
TOLERANCES UNLESS OTHERWISE SPECIFIED: 0 PLC ± - 1 PLC ± - 2 PLC ± - 3 PLC ± .015 4 PLC ± - ANGLES ± -		PRODUCT SPEC	-					RESTRICTED TO					
MATERIAL SEE TABLE		FINISH	SEE TABLE		APPLICATION SPEC	-		SCALE	4:1	SHEET	1 OF 1	REV	L2
CUSTOMER DRAWING					WEIGHT	-		DRAWING NO C-480417					