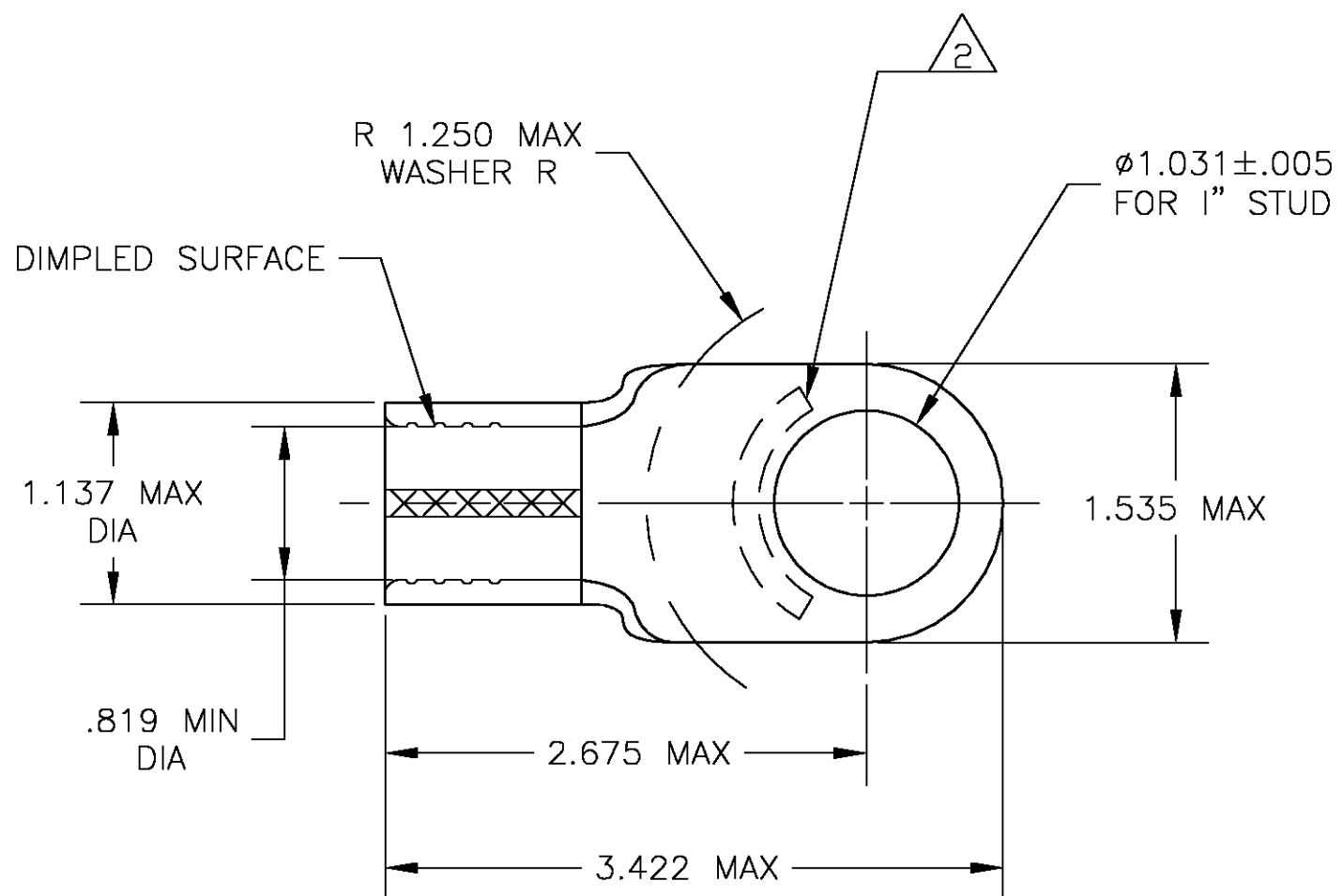


THIS DRAWING IS UNPUBLISHED. RELEASED FOR PUBLICATION
 © COPYRIGHT BY TYCO ELECTRONICS CORPORATION. ALL RIGHTS RESERVED.

LOC	DIST	REVISIONS					
		P	LTR	DESCRIPTION	DATE	DWN	APVD
G	14		B	REV PER 0G3A-0293-04	16APR04	JR	MS

- 1 TONGUE MATERIAL THICKNESS .136±.004
- △2 STAMP AMP 300-350 MCM* , LOCATED APPROX AS SHOWN, ON BOTTOM
- △3 COPPER PER ASTM B-152, ANNEALED
- △4 TIN PLATE PER ASTM B-545



322429
 PART NO

THIS DRAWING IS A CONTROLLED DOCUMENT.		DWN jr_ruth 16APR04	Tyco Electronics Corporation Harrisburg, PA 17105	
DIMENSIONS: INCHES		CHK MJ SPICER 16APR04		
		APVD MJ SPICER 16APR04	NAME WIRE TERMINAL, RING TONGUE, SOLISTRAND - STRATO-THERM, WIRE SIZE: 300-350 MCM	
TOLERANCES UNLESS OTHERWISE SPECIFIED:		PRODUCT SPEC	RESTRICTED TO	
0 PLC ± - 1 PLC ± - 2 PLC ± - 3 PLC ± .008 4 PLC ± - ANGLES ± 5°		APPLICATION SPEC	SIZE A3	CAGE CODE 00779
MATERIAL - △3		WEIGHT -	DRAWING NO C-322429	SCALE 1:1
FINISH - △4		CUSTOMER DRAWING		SHEET 1 OF 1
				REV B