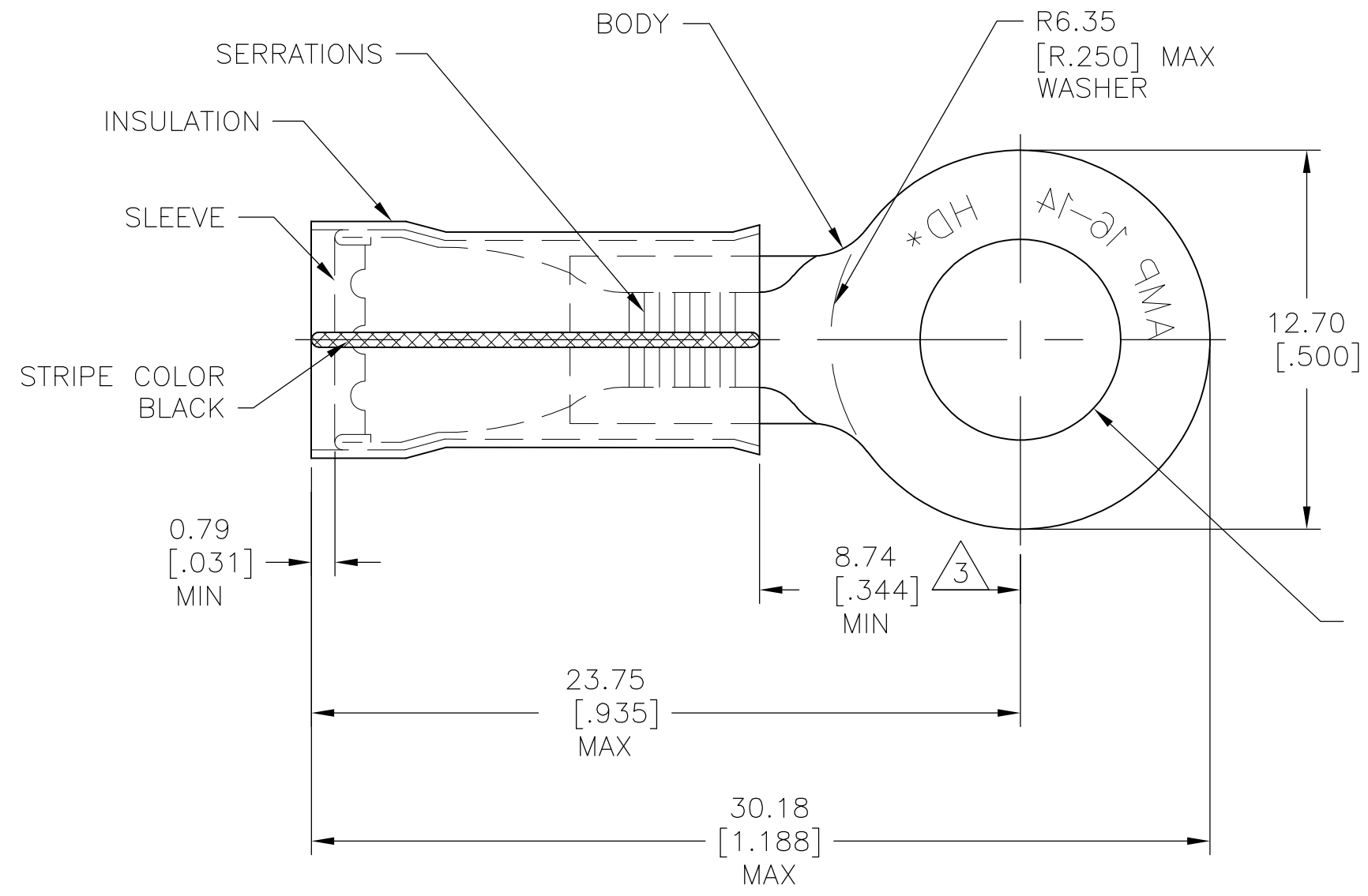


THIS DRAWING IS UNPUBLISHED. RELEASED FOR PUBLICATION  
 © COPYRIGHT BY TYCO ELECTRONICS CORPORATION. ALL INTERNATIONAL RIGHTS RESERVED.

LOC	DIST	REVISIONS					
		P	LTR	DESCRIPTION	DATE	DWN	APVD
G	14		E2	REVISED PER ECR-09-026661	07DEC09	JR	TM



- 1 FOR 3.81 [.150] TO 6.35 [.250] WIRE INSULATION DIA.
- 2 TONGUE MATERIAL THK: 1.22±0.05 [.048±.002].
- 3 APPLIES FROM THE METAL EDGE OF THE BARREL TO THE CENTER OF THE STUD

QTY	DESCRIPTION	MATERIAL & FINISH	PART NO
1	323682 ON TAPE	BODY: COPPER (ASTM-B152) TIN PL (ASTM-B545)	2-323682-1
1	WIRE TERMINAL	SLEEVE: COPPER (ASTM-B152) INSULATION: YELLOW NYLON	323682

THIS DRAWING IS A CONTROLLED DOCUMENT.		DWN RAGHAVENDRA 27AUG09	Tyco Electronics Corporation Harrisburg, PA 17105-3608	
DIMENSIONS: mm [INCHES]		CHK JEFF RUTH 27AUG09	NAME	
TOLERANCES UNLESS OTHERWISE SPECIFIED:		APVD TOM MICHIELUTTI 27AUG09	TERMINAL, NYLON-PIDG - RING TONGUE WIRE SIZE: 16-14 HD	
0 PLC ± -		PRODUCT SPEC	SIZE	CAGE CODE
1 PLC ± -		APPLICATION SPEC	DRAWING NO	RESTRICTED TO
2 PLC ± -		WEIGHT	A3 00779	C=323682
3 PLC ± 0.20 [.008]			SCALE	SHEET
4 PLC ± -			5:1	1 OF 1
ANGLES ± 5°			REV	E2
MATERIAL SEE TABLE	FINISH SEE TABLE	CUSTOMER DRAWING		