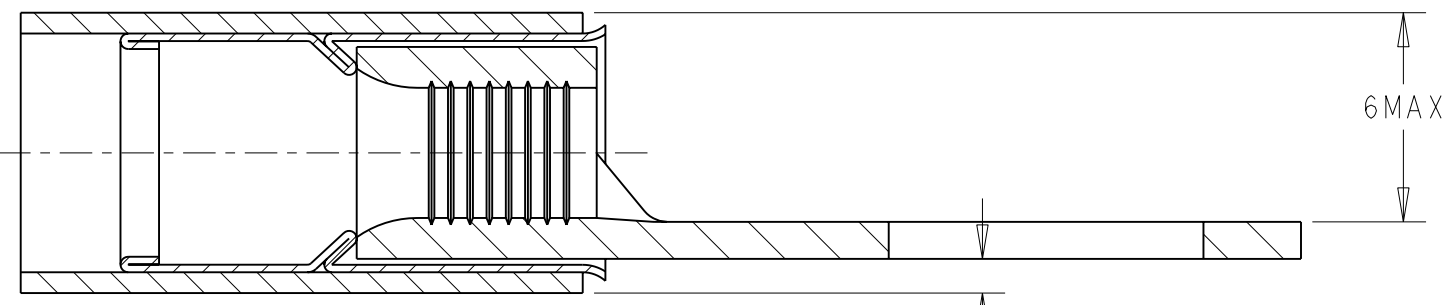


THIS DRAWING IS UNPUBLISHED. RELEASED FOR PUBLICATION 20
 © COPYRIGHT 20 BY TYCO ELECTRONICS CORPORATION. ALL RIGHTS RESERVED.

LOC	DIST	REVISIONS				
P	LTR	DESCRIPTION	DATE	DWN	APVD	
F	00	B	HOLE DIA. TOLERANCES	09JUN2006	JJD	YP
		C	ECR 07-025006	29OCT2007	JT	GR

COUPE C - C

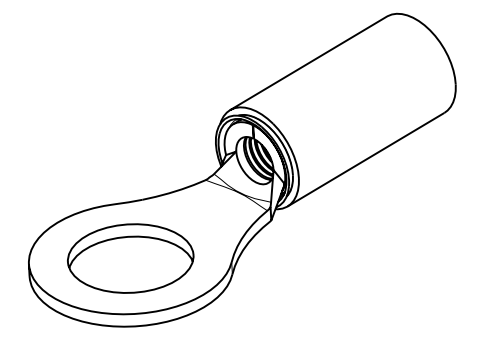


STAMP : AMP 12-10*

1.5 MAX

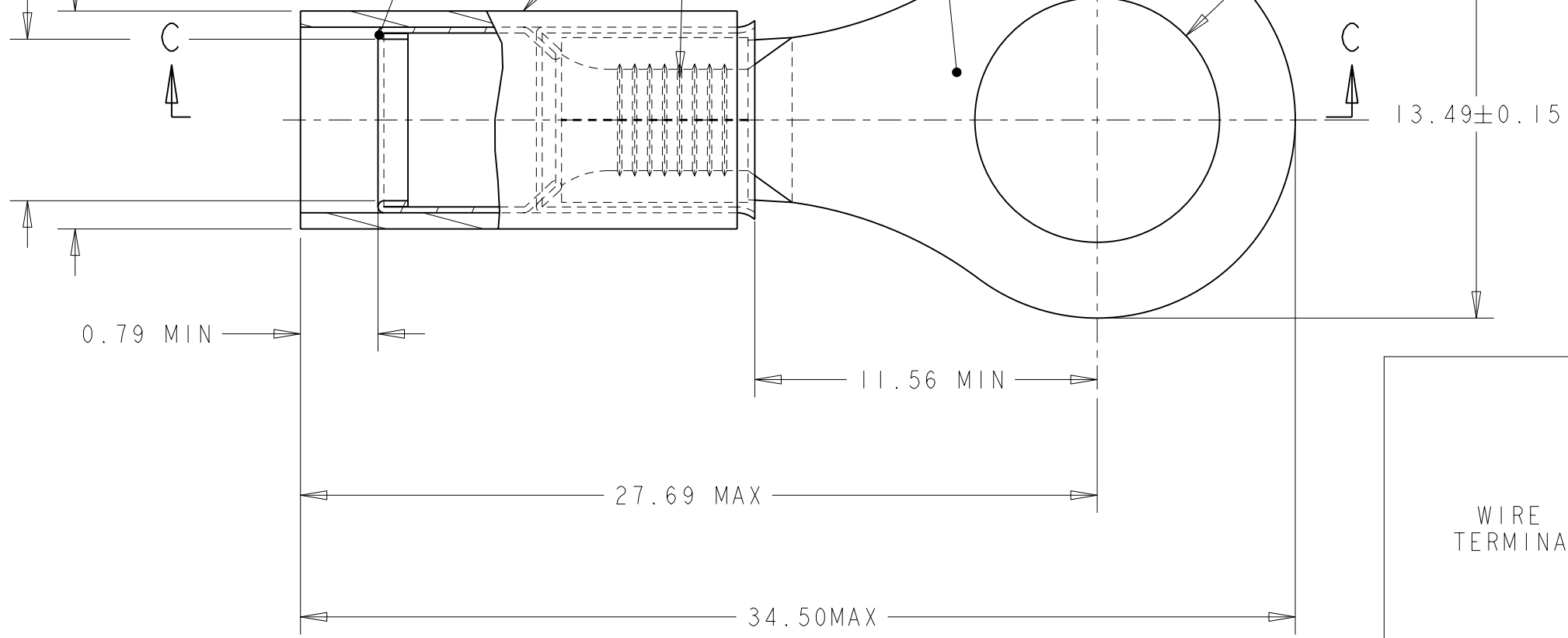
BODY 0.98±0.05 TONGUE THICKNESS

∅8.34±0.13 FOR 5/16 OR M8 STUD



FOR INSULATION
 ∅2.60 - 5.44
 ∅7.40 MAX

SLEEVE
 INSULATION
 SERRATIONS



WIRE TERMINAL	1577649-1	BODY : COPPER ANNEALED FINISH : NICKEL PLATED
		SLEEVE : COPPER ANNEALED FINISH : NICKEL PLATED
		INSULATION : PEEK COLOR : BLACK
DESCRIPTION	PART NUMBER	MATERIAL & FINISH

<small>THIS DRAWING IS A CONTROLLED DOCUMENT FOR TYCO ELECTRONICS CORPORATION IT IS SUBJECT TO CHANGE AND THE CONTROLLING ENGINEERING ORGANIZATION SHOULD BE CONTACTED FOR THE LATEST REVISION.</small>		DWN	27FEB2006	 Tyco Electronics France SAS 95300 Pontoise, France	
DIMENSIONS: mm		CHK	27FEB2006		
TOLERANCES UNLESS OTHERWISE SPECIFIED:		APVD	27FEB2006		
0 PLC ±- 1 PLC ±0.3 2 PLC ±- 3 PLC ±- 4 PLC ±- ANGLES ±5 FINISH SEE TABLE		PRODUCT SPEC	108-15356		
MATERIAL	SEE TABLE	FINISH	SEE TABLE	NAME	TERMINAL, PEEK PIDG STRATO, 10 AWG
		APPLICATION SPEC	114-15102	SIZE	A3
		WEIGHT	2,9 gr	CAGE CODE	00779
		CUSTOMER DRAWING		DRAWING NO	1577649
				RESTRICTED TO	-
				SCALE	5:1
				SHEET	1 OF 1
				REV	C