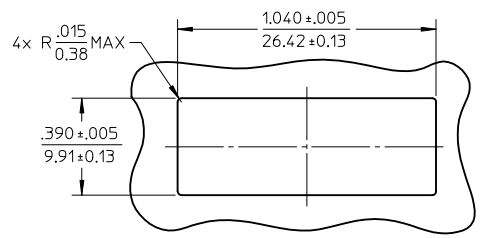
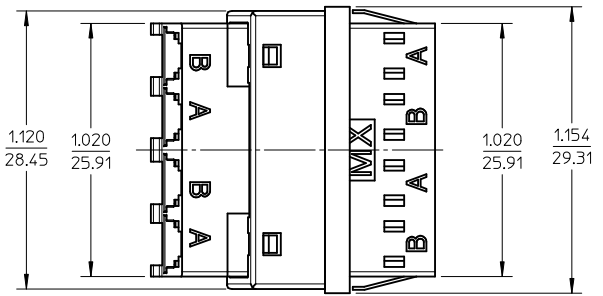
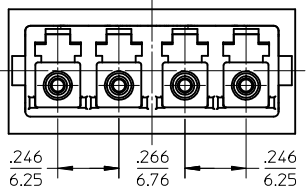
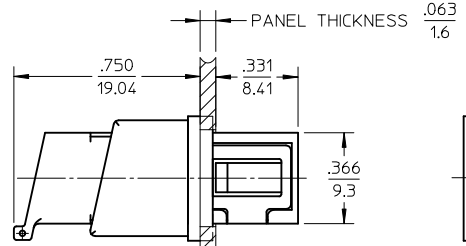
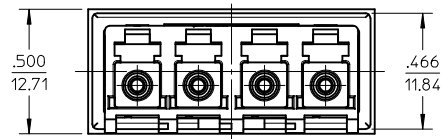


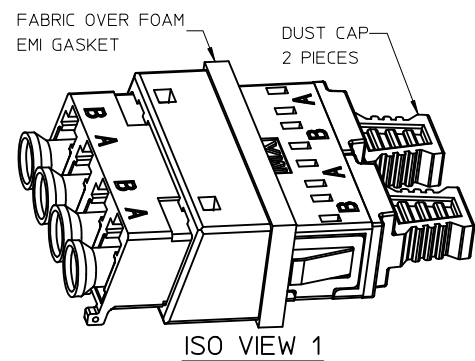
ADAPTER P/N	PLASTIC RECEPTACLE COLOR
106123-0520	BLUE
106123-0540	GREEN



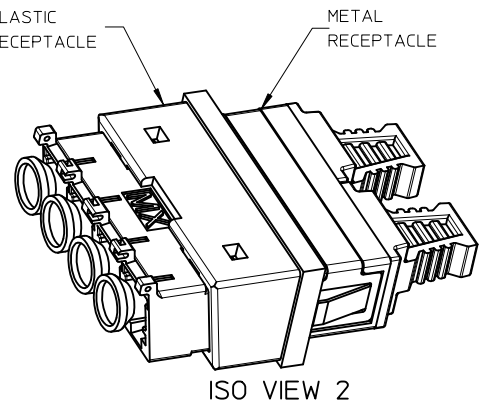
RECOMMENDED MOUNTING PATTERN



COMPRESSED EMI GASKET .049 / 1.24



ISO VIEW 1



ISO VIEW 2

NOTES:

1. ALL DIMENSIONS ARE FOR REFERENCE.
2. DUST CAPS ARE SHOWN IN ISOMETRIC VIEWS ONLY.
3. LC EMI QUAD ADAPTER HAS SC DUPLEX ADAPTER FOOTPRINT.

ENTER DESCRIPTION	DATE	DESCRIPTION
EC NO: MF2010-0363	2010/02/22	
DRW: KPEVZNER	2010/02/23	
CHKD:		
APPR: IGUMIN	2010/02/25	
A2		

QUALITY SYMBOLS
▽=0
▽=0

GENERAL TOLERANCES (UNLESS SPECIFIED)	
mm	INCH
4 PLACES ± ---	± ---
3 PLACES ± ---	± ---
2 PLACES ± ---	± ---
1 PLACE ± ---	± ---
ANGULAR ± ---°	
DRAFT WHERE APPLICABLE MUST REMAIN WITHIN DIMENSIONS	

DIMENSION STYLE	
IN/MM	
DRAWN BY	DATE
IGUMIN	2008/02/19
CHECKED BY	DATE
APPROVED BY	DATE
IGUMIN	2010/02/23
MATERIAL NO.	
SEE TABLE	

SCALE
2:1

DESIGN UNITS
INCH

THIRD ANGLE PROJECTION	
TITLE	
LC EMI QUAD ADAPTER SNAP MOUNT, NO SHUTTES	
MOLEX INCORPORATED	
DOCUMENT NO.	SHEET NO.
SD-106123-0520	1 OF 1

THIS DRAWING CONTAINS INFORMATION THAT IS PROPRIETARY TO MOLEX INCORPORATED AND SHOULD NOT BE USED WITHOUT WRITTEN PERMISSION