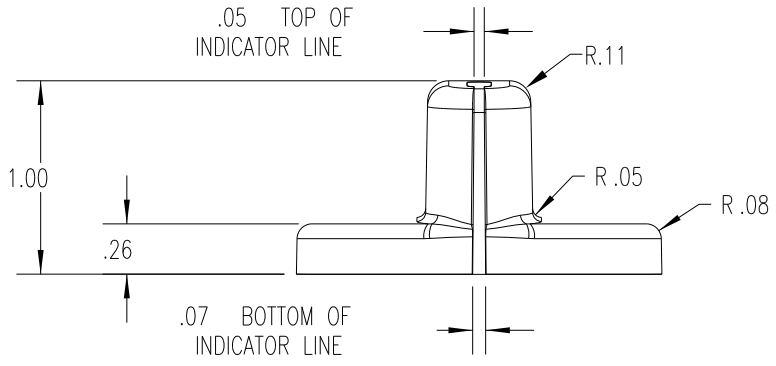
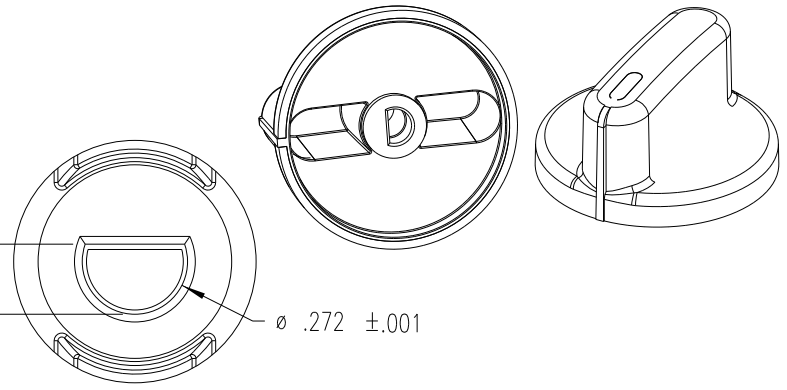
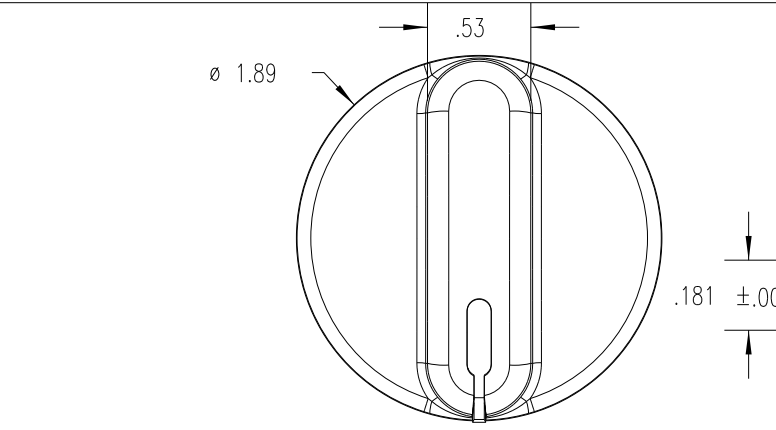


PART NAME: KNOB SCALE: 1:1 DATE: 4/26/05 DR. BY JAM

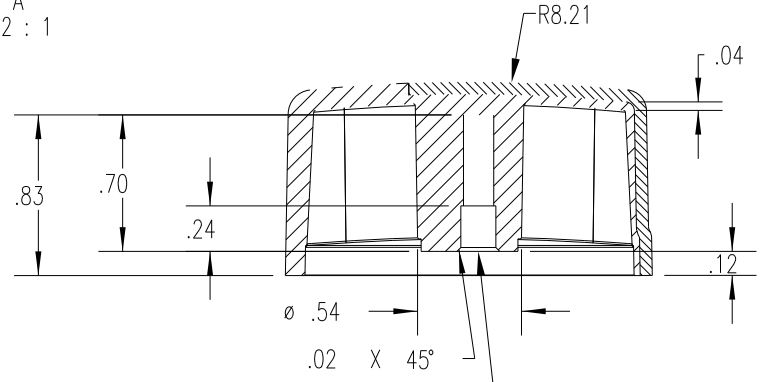
DAVIES MOLDING COMPANY  
CAROL STREAM, ILLINOIS 60188

P/N 1507-F	
CAVITY	1507
CORE	1507
PIN	1507-F
SPRING	I1125A

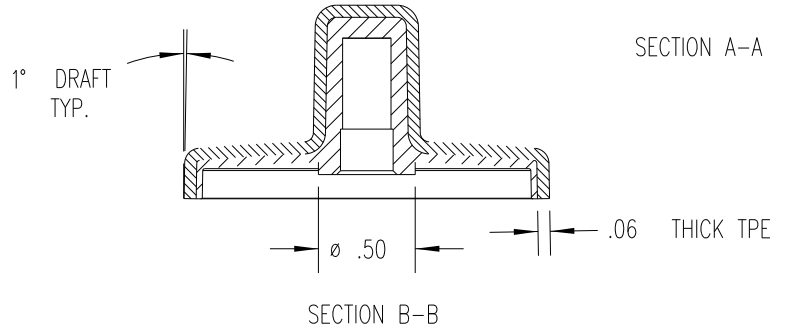
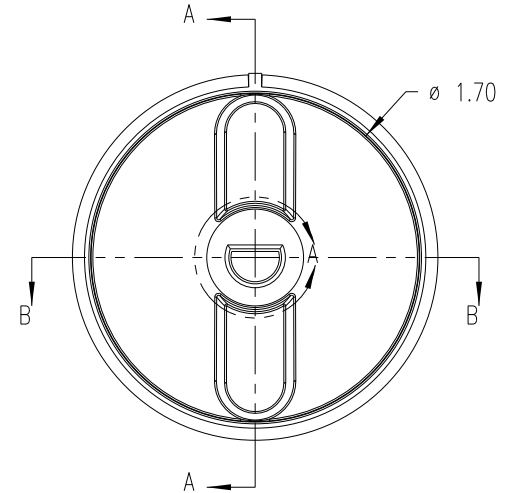
THIS DRAWING IS THE PROPERTY OF DAVIES MOLDING COMPANY, IS SUBMITTED SOLELY AS A DESIGN OR ENGINEERING PROJECT.  
WE ACCEPT NO RESPONSIBILITY WHATSOEVER FOR THE PRACTICAL APPLICATION OF THE PIECES MADE TO THIS DESIGN.



DETAIL A  
SCALE 2 : 1



SPRING I1125A TO ACCOMMODATE  
A Ø 0.250 SHAFT FLATTED TO 0.156



SUBSTRATE MATERIAL: POLYPROPYLENE (CLD)  
COLOR: WHITE (PC23083)  
OVERMOLD MATERIAL: TPE (TPE3)  
COLOR: BLACK

(A)

TOLERANCES: UNLESS OTHERWISE SPECIFIED	DO NOT SCALE DRAWING			
DECIMALS: X.XXX ± .005 X.XX ± .015	MM: X.XX ± 0.15MM X.X ± 0.4MM	A	ADDED COLOR # PC23083, PC-301	DS 10/16/06
FRACTIONS ± 1/64	ANG. ± 1°	-	WAS SK1507-02	JAM 4/26/05
CHANGES				