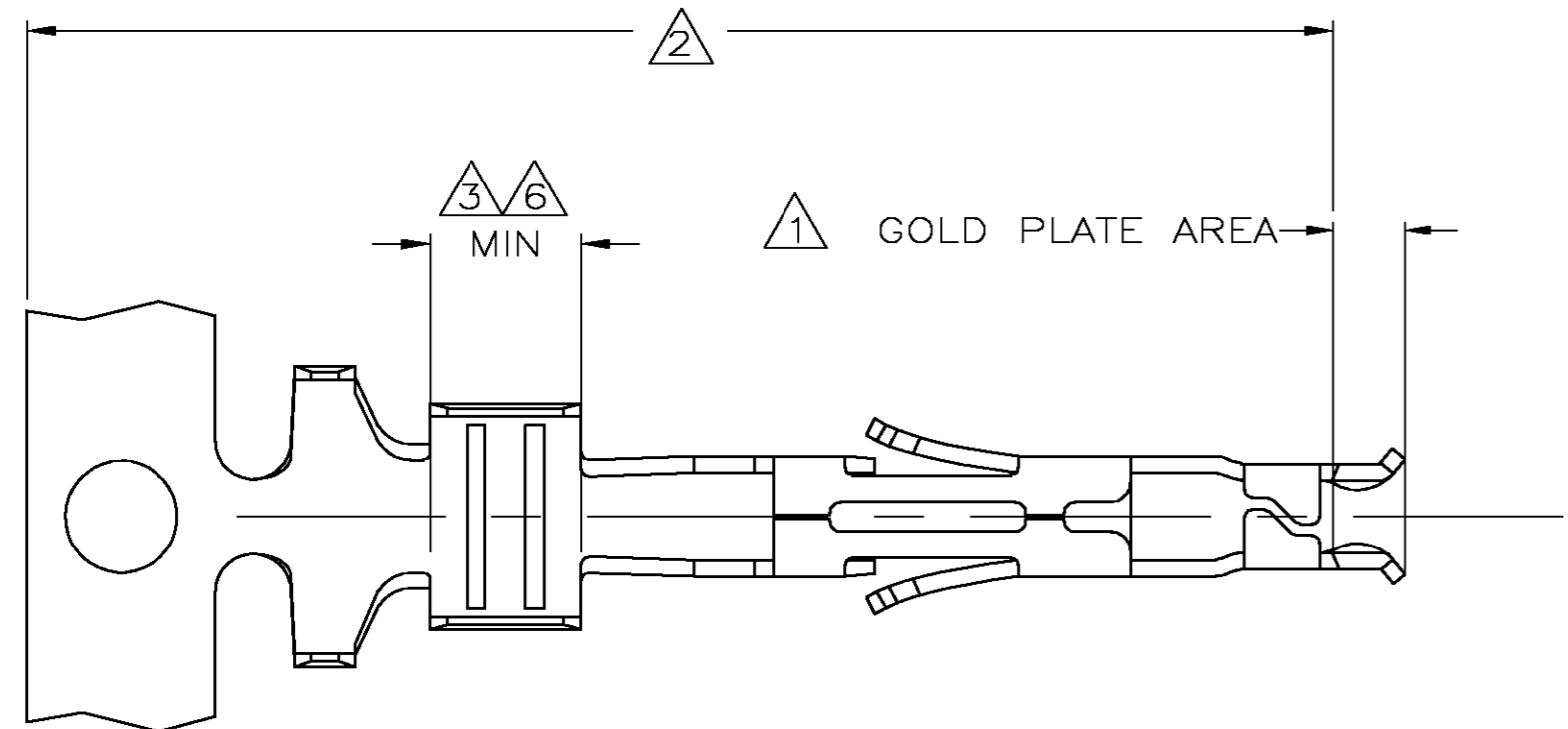
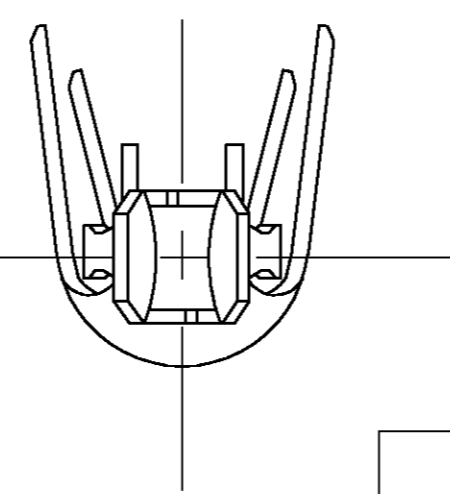
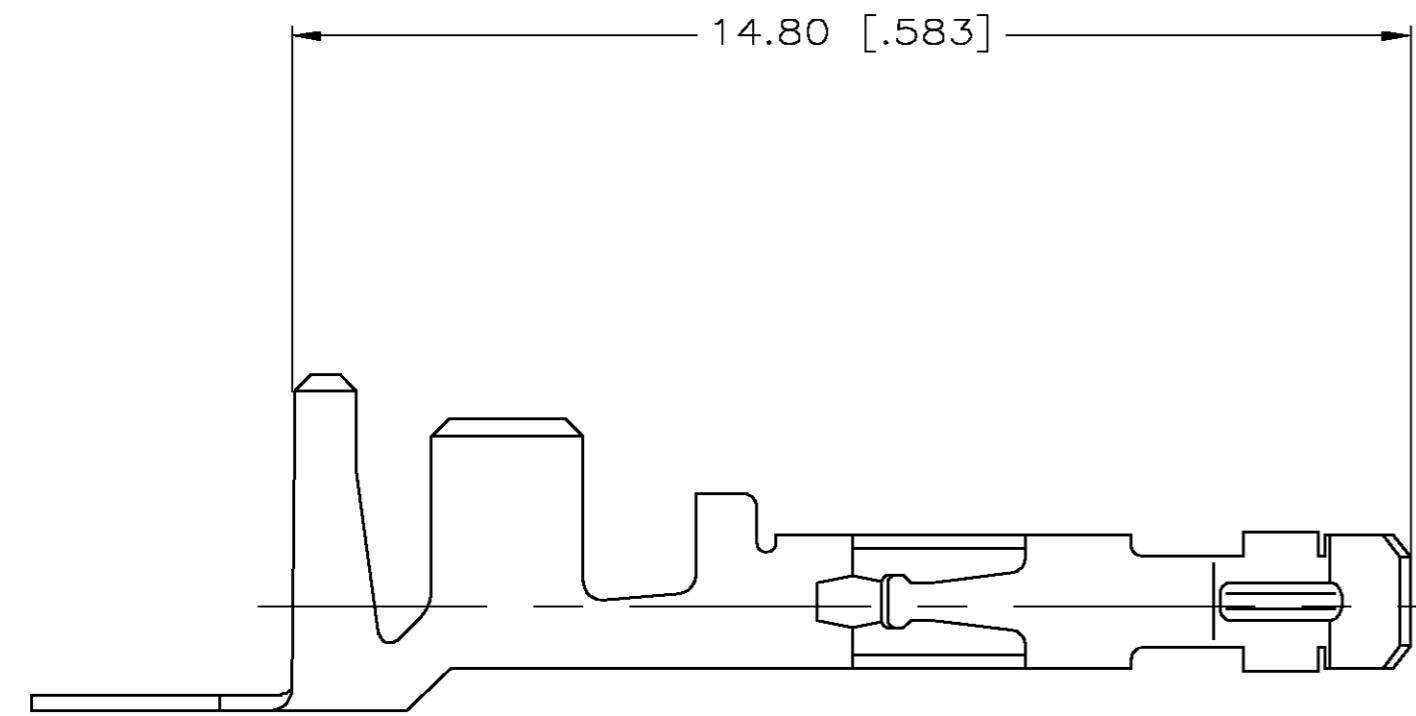


THIS DRAWING IS UNPUBLISHED. RELEASED FOR PUBLICATION
 © COPYRIGHT BY TYCO ELECTRONICS CORPORATION. ALL RIGHTS RESERVED.

LOC		DIST		REVISIONS			
P	LTR	DESCRIPTION		DATE	DWN	APVD	
G		REVISED PER EC 0G3B-0910-04		15-MAR-05	SH	DC	



- ① FINISH: 0.76 μ m MIN GOLD OVER 1.27 μ m MIN NICKEL REQUIRED ON INNER SURFACE, PERMITTED ON OUTER SURFACE.
- ② FINISH: NICKEL BASE PLATE ON ALL SURFACES IN THIS AREA.
- ③ FINISH: 2.54 μ m MIN TIN-LEAD ON ALL SURFACES IN THIS AREA.
- 4. WIRE RANGE: (2) 0.8-0.9mm² (2 X 18 AWG)
(1) 1.2mm² (1 X 16 AWG)
- 5. INSULATION RANGE: 3.3 [.13] DIAMETER MAXIMUM FOR 2 X 18 AWG AND 3.0 [.12] DIAMETER FOR 1 X 16 AWG.
- ⑥ FINISH: 2.54 μ m MINIMUM TIN ON ALL SURFACES IN THIS AREA.



1-794143-3	①②③⑥	0.22 [.009] PHOS BRONZE	1-794140-3
794143-3	①②③	0.22 [.009] PHOS BRONZE	794140-3
LOOSE PIECE (REF)	FINISH	MATERIAL	PART NUMBER



THIS DRAWING IS A CONTROLLED DOCUMENT.

DIMENSIONS: mm [INCHES]	TOLERANCES UNLESS OTHERWISE SPECIFIED: 0 PLC ± 1 PLC ± 2 PLC ± 0.10 3 PLC ± 4 PLC ± ANGLES ± FINISH	DWN S. HOOVER 06-OCT-2004 CHK D. COLEY 06-OCT-2004 APVD D. COLEY 06-OCT-2004 PRODUCT SPEC APPLICATION SPEC WEIGHT CUSTOMER DRAWING	Tyco Electronics Corporation Harrisburg, Pa 17105-3608 NAME CONTACT, SOCKET, AMP-DUAC™ POWER CONNECTOR SIZE A2 CAGE CODE 00779 C=794140 SCALE 10:1 SHEET 1 OF 1 REV G
----------------------------	--	--	--