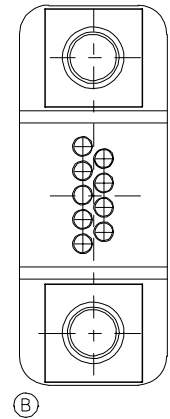
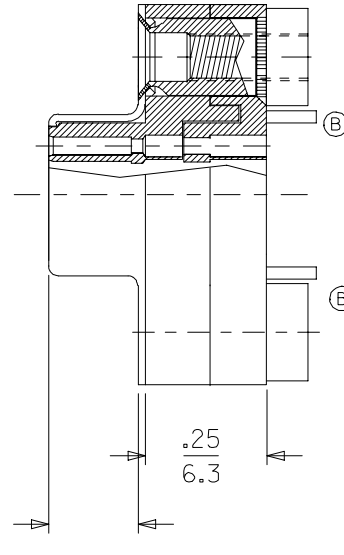
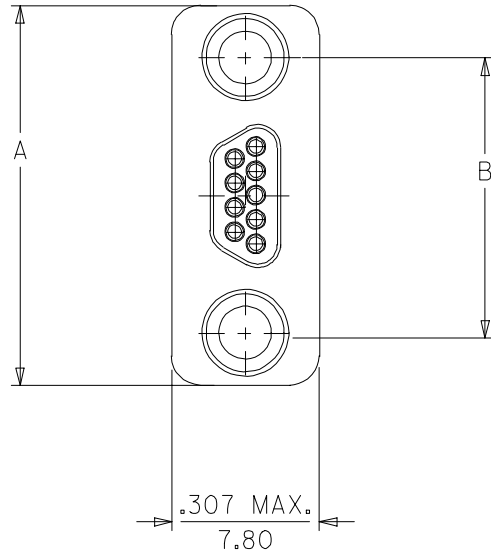


MATERIAL NO.	ENGINEERING NO.	SIZE	A	B
834119110	83411-9110	9	.783	.565
834129019	83412-9019	15	.933	.715
834149021	83414-9021	25	1.183	.965



SIZE 9 SHOWN

SALES DRAWING

- 1. MARKING: NONE
- 2. TO BE USED WITH 830000110 CONTACT (LOOSE PIECE)  
830009558 CONTACT (2.5K REEL)  
830009559 CONTACT (50K REEL)

ENTER DESCRIPTION EC NO: ETC2005-0072 DRWN: JLOMASTR CHKD: APPR: RDEROSS 2004/10/14 2004/10/15	QUALITY SYMBOLS ▽=0 ▽=0	GENERAL TOLERANCES (UNLESS SPECIFIED)		DIMENSION STYLE IN/MM	SCALE 4:1	DESIGN UNITS INCH	THIRD ANGLE PROJECTION	
		4 PLACES ± --- ± ---	mm INCH	DRAWN BY JLOMASTR	DATE 04/10/13	TITLE COMMERCIAL MICRO D PIN ASSEMBLY CRIMP AND POKE SIZE 9,15, 25		
		3 PLACES ± --- ± .005		CHECKED BY RDEROSS	DATE 04/10/14	APPROVED BY RDEROSS		
		2 PLACES ± 0.13 ± .01 1 PLACE ± 0.25 ± --- ANGULAR ± 1/2°		MATERIAL NO. SEE CHART	DATE 04/10/115	DOCUMENT NO. SD-83411-006	SHEET NO. 1 OF 1	
DRAFT WHERE APPLICABLE MUST REMAIN WITHIN DIMENSIONS		THIS DRAWING CONTAINS INFORMATION THAT IS PROPRIETARY TO MOLEX INCORPORATED AND SHOULD NOT BE USED WITHOUT WRITTEN PERMISSION						