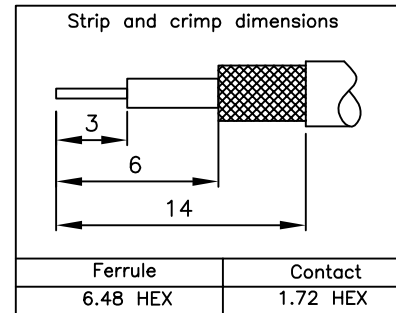
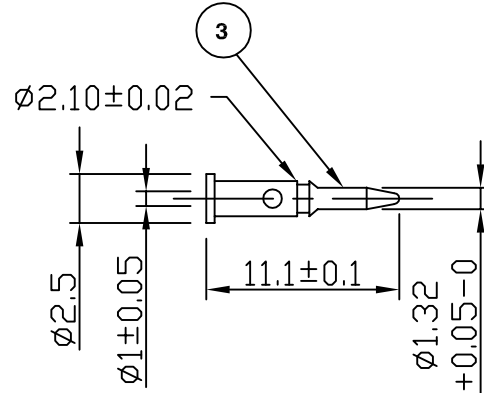
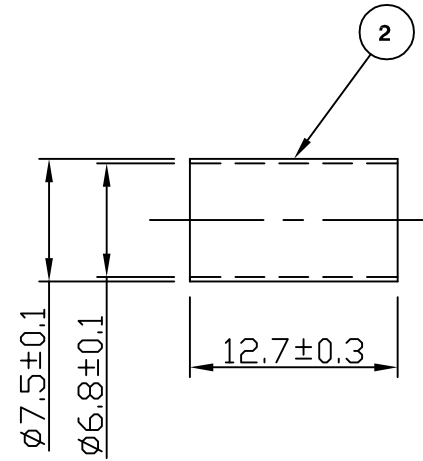
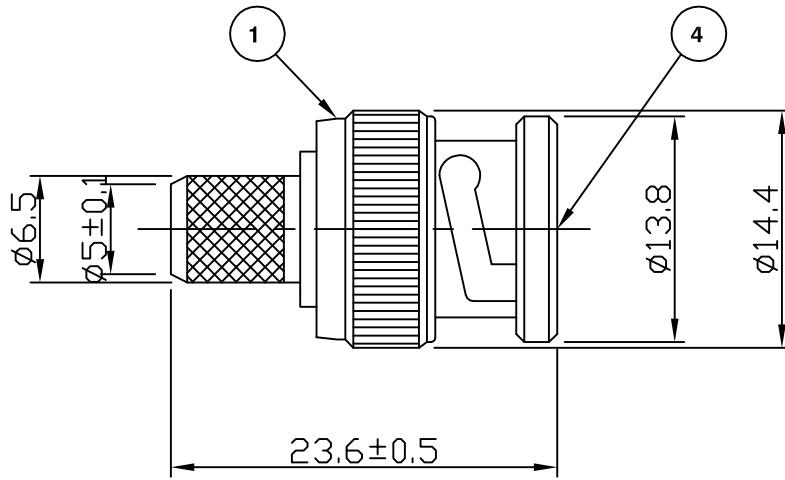


RoHS COMPLIANT



For stripping and assembly instructions see Drawing Number: VAIB1101

**Electrical Characteristics**

Nominal Impedance:	75 ohms
Frequency Range:	DC to 1 GHz
VSWR:	1.3:1 maximum
Insertion Loss:	0.1 dB at 1 GHz
Operating Voltage (rms):	500 V maximum at sea level
Dielectric Withstand Voltage (rms):	1500 V maximum at sea level
Contact Resistance:	1.5 milliohms maximum
Insulation Resistance:	5000 megohms minimum

**Mechanical Characteristics**

Mating Cycles:	500 cycles minimum
Interface Dimensions:	Conform to MIL-C-39012

**Environmental Characteristics**

Temperature Range:	-65 °C to +165 °C
--------------------	-------------------

PART	DESCRIPTION
1	Body Brass, nickel plated 2.54 μm
2	Ferrule Brass, nickel plated 2.54 μm
3	Contact Brass, gold plated 0.076 μm - 0.127 μm
4	Dielectric PTFE

DESCRIPTION OF REVISION	APPVD	ISS	DATE
Drawing Update	JT	5	30 Mar 10
Measurements updated	KA	4	13 Aug 07
CAD Issue	SN	3	21 Aug 01
New format	DW	2	18 Nov 99
First Issue	AT	1	10 Oct 94



Cinch Connectivity Solutions  
7-13 Russel Way,  
Widford Industrial Estate,  
Chelmsford, Essex,  
CM1 3AA, UK.  
Tel: +44 (0) 1245 359515  
Fax: +44 (0) 1245 358938

SCALE: Not To Scale

DIMENSIONS: mm

TOLERANCES:  
± 0.2mm unless  
otherwise stated

DRAWN BY:

S Nash

CHECKED BY:

P Couzens

APPROVED BY:

P Couzens

DATE:

21 Aug 01

TITLE:

BNC Crimp Plug for CT100  
and H109F

PART NUMBER:

**VB10-2029**

PAGE: 1 of 1