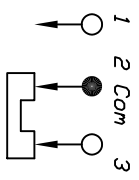
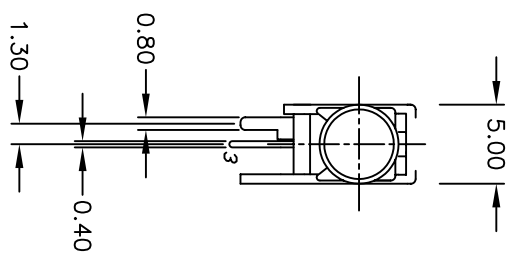
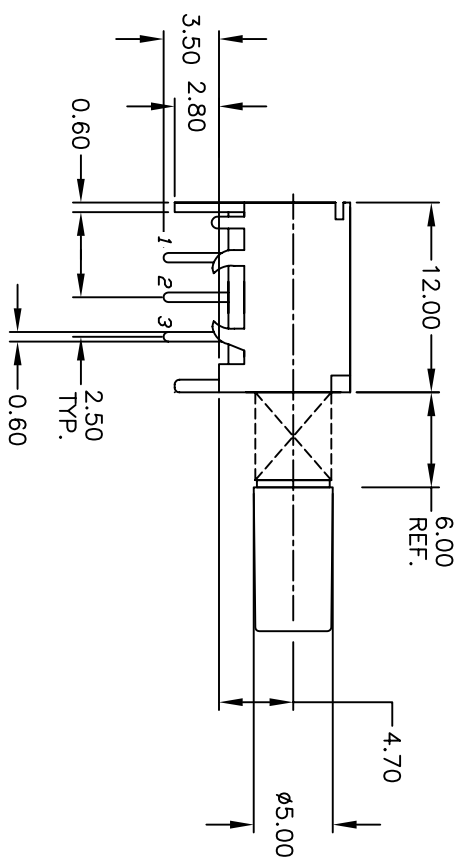


RECOMMENDED P.C.B. LAYOUT
SCALE 2:1



SPDT CIRCUIT DIAGRAM
NON-SHORTING

NOTES

1. ALL DIMENSIONS IN MM
2. GENERAL TOLERANCE: X.XX=±0.4
3. TERM. NOS FOR REF ONLY.
4. RATING: 30VDC, 0.3A
5. OPERATING FORCE: 230±100GF
6. TRAVEL: FULL 3.5MM; LOCK 2.5MM

E-SWITCH®

| | | | | |
|------|---------|-------------------------|----------|------|
| B | 15633 | NEW TOOLING FOR CAP | 12/22/05 | PH |
| A | 14737 | RELEASED FOR PRODUCTION | 3/10/05 | AR |
| REV. | ECN NO. | DESCRIPTION | DATE | CHKD |

| | | | | | | | | | | | |
|-----------------|--|-------|--|---------|--|----|--|---------|--|-----|--|
| TITLE | | SCALE | | DATE | | DR | | DWG | | REV | |
| LC1258EENP1RBLK | | 3:1 | | 3/10/05 | | AR | | XP02744 | | B | |

THE INFORMATION CONTAINED IN THIS DOCUMENT IS PROPRIETARY TO E-SWITCH AND IS NOT TO BE COPIED OR TRANSFERRED