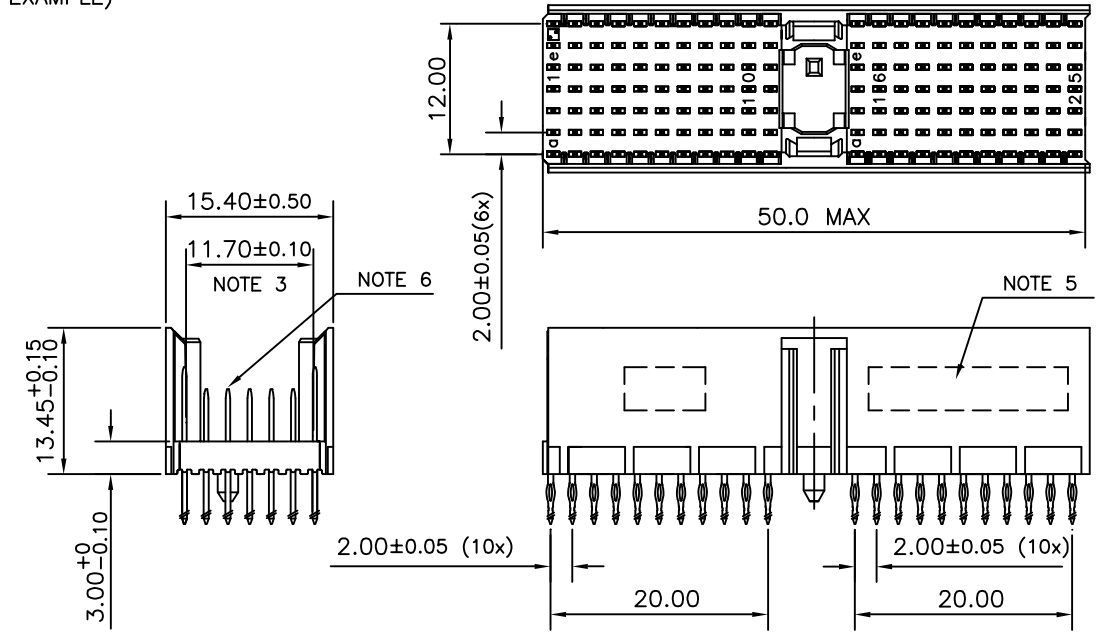


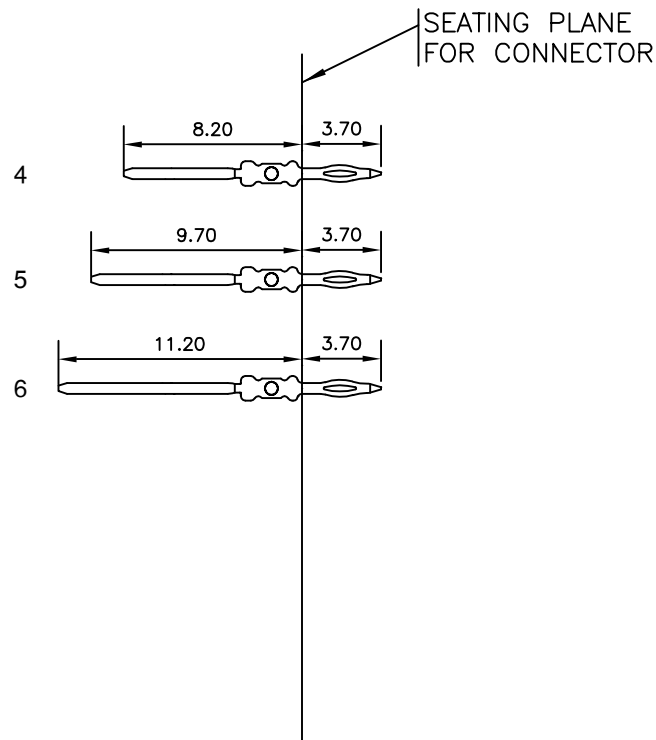
LOADING PATTERN MATING SIDE

f	6	6	6	6	6	6	6	6	6	6			6	6	6	6	6	6	6	6	6	6
e	5	4	4	4	4	4	4	4	4	4			4	6	4	6	4	6	4	4	4	4
d	5	5	4	6	4	6	4	6	4	6	4		6	4	6	4	6	4	4	4	4	4
c	5	5	4	4	4	4	4	4	4	4			4	4	4	4	6	4	4	4	4	4
b	5	5	4	6	4	6	4	6	4	6	4		4	4	4	4	6	4	6	4	6	4
a	5	5	4	4	4	4	4	4	4	4			4	4	4	4	4	4	4	4	4	4
z	6	6	6	6	6	6	6	6	6	6			6	6	6	6	6	6	6	6	6	6
P O S	0	1											0	5								
	1	5											2	0								

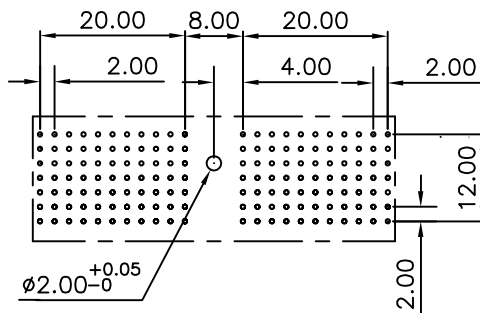
LOADED CONNECTOR ASSEMBLY (FOR EXAMPLE)



CONTACT OVERVIEW



LAY-OUT P.C.B.-HOLE



LEAD FREE INDICATOR : LF = LEAD FREE (DIGIT 15 & 16)

HM2P07PDE3A1

PLATING CODE (DIGIT 13 AND 14) (REF DRW NO. BS,C , 201844 , 003)

NOTES

- THIS PRODUCT IS CSA APPROVED.
  - THIS PRODUCT IS UL RECOGNIZED.
  - MEASURED AT THE BOTTOM.
  - MATERIAL CONTACT: PHOSPHORBRONZE  
HOUSING: CREAM WHITE GLASS FILLED POLYESTER UL-94V0
  - CONNECTOR PRINTED WITH P/N AND DATE CODE.
  - FOR ACTUAL CONTACT LOADINGS, SEE LOADING PATTERN MATING SIDE.
  - SHAPE OF CONNECTOR HOUSING CAN ALTER DEPENDING ON PRODUCTION LOCATION
  - THE PRODUCT (LF) MEETS EUROPEAN UNION DIRECTIVES AND OTHER COUNTRY REGULATIONS AS DESCRIBED IN GS-22-008
  - FOR RECOMMENDED PTH DIMENSIONS REFER DRAWING : BS, A , 201572 , 001
- CATALOG NO: HM2P07PDE3A1----

mat'l. code SEE NOTE 4				surface ISO 1302	tolerance ISO 406 ISO 1101	projection	product family MILLIPACS			
ltr	ecn no	dr	date	tolerances unless otherwise specified		MM	title			
A	I04-0037	MINI	2004/05/15	angles	linear		MPACS 5+2R STR HDR PF CONN TYPE A			
B	I05-0188	MINI	2005/10/13	0°±1°			scale -			
C	I06-0090	MINI	2006/06/27			FCI	dwg no		sheet 1 of 1	size
				dr	MINI K VANDANATH		2004/05/15	BS, C ,203028, 134		A3
				engr	BIJU K PAUL		2004/05/15			
				chr	BIJU K PAUL		2006/06/27			
				appd	BIJU K PAUL	2006/06/27	type		Product Customer Drawing	
sheet index	revision sheet	C	1							