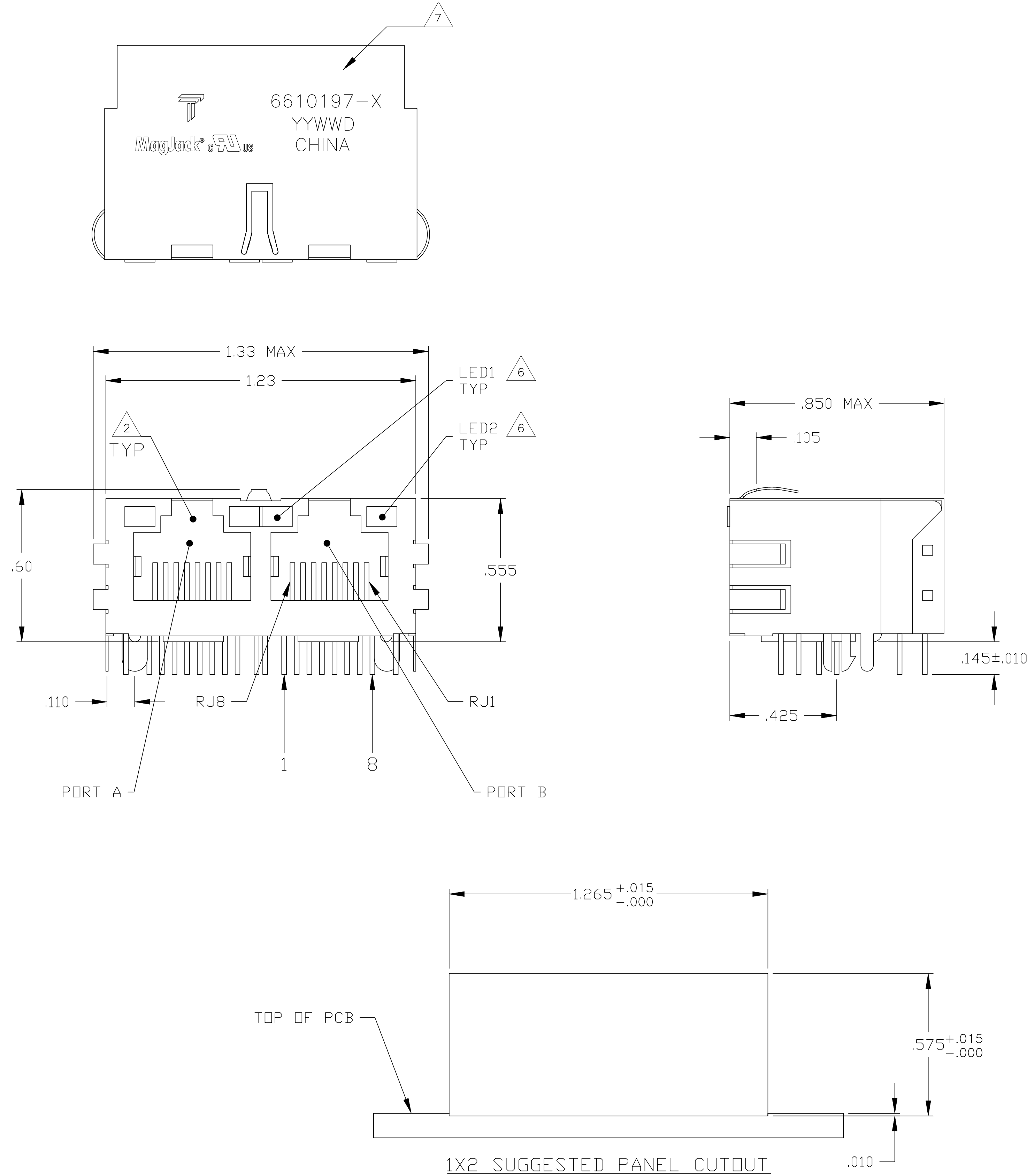


THIS DRAWING AND THE SUBJECT MATTER SHOWN THEREON ARE CONFIDENTIAL AND THE PROPERTY OF BEL/STEWART/TRP CONNECTOR AND SHALL NOT BE REPRODUCED, COPIED, OR USED IN ANY MANNER WITHOUT THE WRITTEN CONSENT OF TRP CONNECTOR.

PRODUCT MAY BE PROTECTED BY ONE OR MORE OF THE FOLLOWING US PATENTS:  
 5736910 5939955 6425781 6428361 6554638 6840817 7123117  
 7429195 7717749 7808751 6217391 6149050 7924130

REVISIONS				
P	LYR	DESCRIPTION	DATE	APVD
D		EC-1411035 COMPANY LOGO CHANGE	08JAN2015	DZ TL

MECHANICAL:

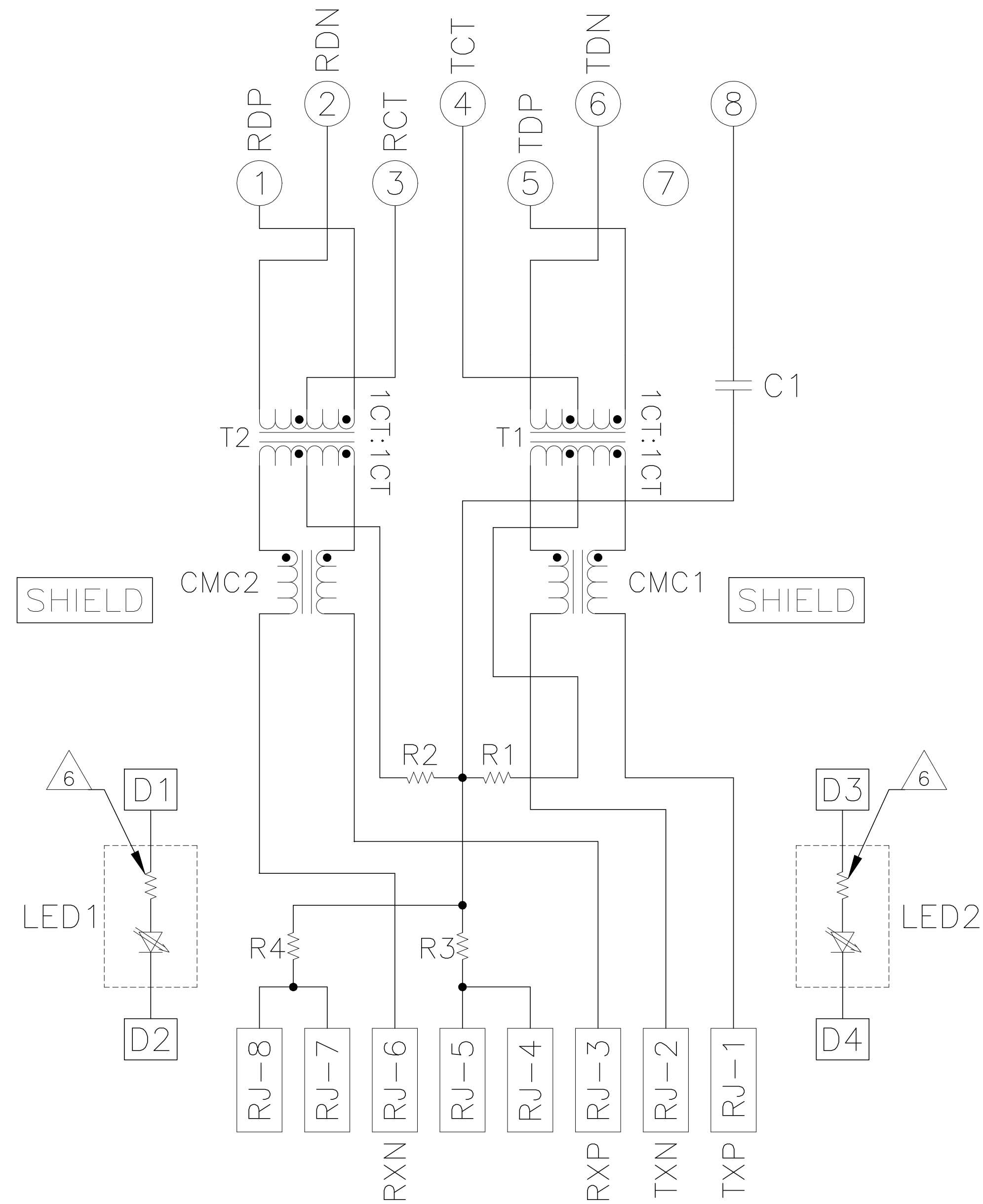


1. MATERIALS:
  - HOUSING - THERMOPLASTIC PET POLYESTER FLAMMABILITY RATING UL 94V-0.
  - SHIELD - .010" THICK, C26800 BRASS PREPLATED WITH 30μ INCH MIN SEMI-BRIGHT NICKEL. SOLDER TABS POST DIPPED WITH 100μ INCH MIN SAC SOLDER.
  - MOD JACK CONTACTS - 0.0157 X 0.018" PHOSPHOR BRONZE, 50μ INCH MIN OVERALL NICKEL UNDERPLATE WITH SELECT 50μ INCH MIN HARD GOLD FINISH PLATE. SOLDER TAILS WITH 100μ INCH MIN MATTE TIN AND/OR SAC SOLDER DIP.
  - LIGHT EMITTING DIODE(LED) - DIFFUSED EPOXY LENS, .020" X .020" CARBON STEEL WIREFRAME LEADS PRE-PLATED WITH 80μ INCH SILVER OVER 40μ INCH NICKEL UNDERPLATE OVER 40μ INCH COPPER UNDERPLATE. POST-PLATED WITH 100μ INCH MIN MATTE TIN AND/OR SAC SOLDER DIP OR PURE TIN SOLDER DIP.
2. RJ45 JACK CAVITY CONFORMS TO FCC RULES AND REGULATIONS PART 68, SUB PART F.
3. MAGNETICS
  - IMPEDANCE: 100 OHMS
  - TURNS RATIO (CHIP:CABLE): TX = 1:1, RX = 1:1
  - OPEN CIRCUIT INDUCTANCE (OCL): 350μ H MIN @100kHz, 0.1VRMS, 8mADC BIAS FROM -40°C TO +85°C, TX AND RX
  - PERFORMANCE @ 25°C:
    - INSERTION LOSS (IL): 1.1dB MAX FROM 0.5MHz TO 100MHz
    - RETURN LOSS (RL): 18dB MIN FROM 0.5MHz TO 30MHz
    - 18-20LOG(f/30)dB MIN FROM 30.1MHz TO 60MHz
    - 12dB MIN FROM 60.1MHz TO 80MHz
    - CROSSTALK ATTENUATION: 35dB MIN FROM 0.5MHz TO 40MHz
    - 33-20\*LOG(f/50)dB MIN FROM 40.1MHz TO 100MHz
    - COMMON MODE REJECTION RATIO (CMRR): 30dB MIN FROM 0.5MHz TO 100MHz
    - ISOLATION VOLTAGE: COMPLIES WITH IEEE802.3 2002, PARA 23.5.1.1, ITEM b.
4. OPERATING TEMPERATURE: FROM -40°C TO +85°C
5. INDICATED CONNECTIONS ARE FOR NIC CONFIGURATION. THE MAGNETICS ARE SYMMETRICAL AND SUPPORT AUTO-MDI/MDIX.
6. LEDs WITH BUILT-IN RESISTOR  
 LEDs ARE DRIVEN WITH 5V VOLTAGE AND THE MAX OPERATING CURRENT IS 20mA.  
 LED COLOR: DOMINANT WAVELENGTH (λD): GREEN 568 nm TYP @ VF=5V  
 FORWARD CURRENT (IF): GREEN 12mA TYP @ VF=5V  
 DOMINANT WAVELENGTH (λD): YELLOW 588 nm TYP @ VF=5V  
 FORWARD CURRENT (IF): YELLOW 13mA TYP @ VF=5V
7. TRP CONNECTOR LOGO, PART NUMBER, DATE CODE, COUNTRY OF ORIGIN AND AGENCY APPROVAL MARKING IN APPROXIMATE LOCATION SHOWN.
8. THE PART IS RECOMMENDED FOR WAVE SOLDERING PROCESS, PREHEAT TEMPERATURE IS 120°C TO 160°C, 120 SECONDS TO 180 SECONDS, PEAK WAVE SOLDERING TEMPERATURE IS 260°C MAX, 10 SECONDS MAX.

YES	GREEN	YELLOW	5-6610197-1
DECOUPLING CAPACITOR	LED1	LED2	PART NUMBER

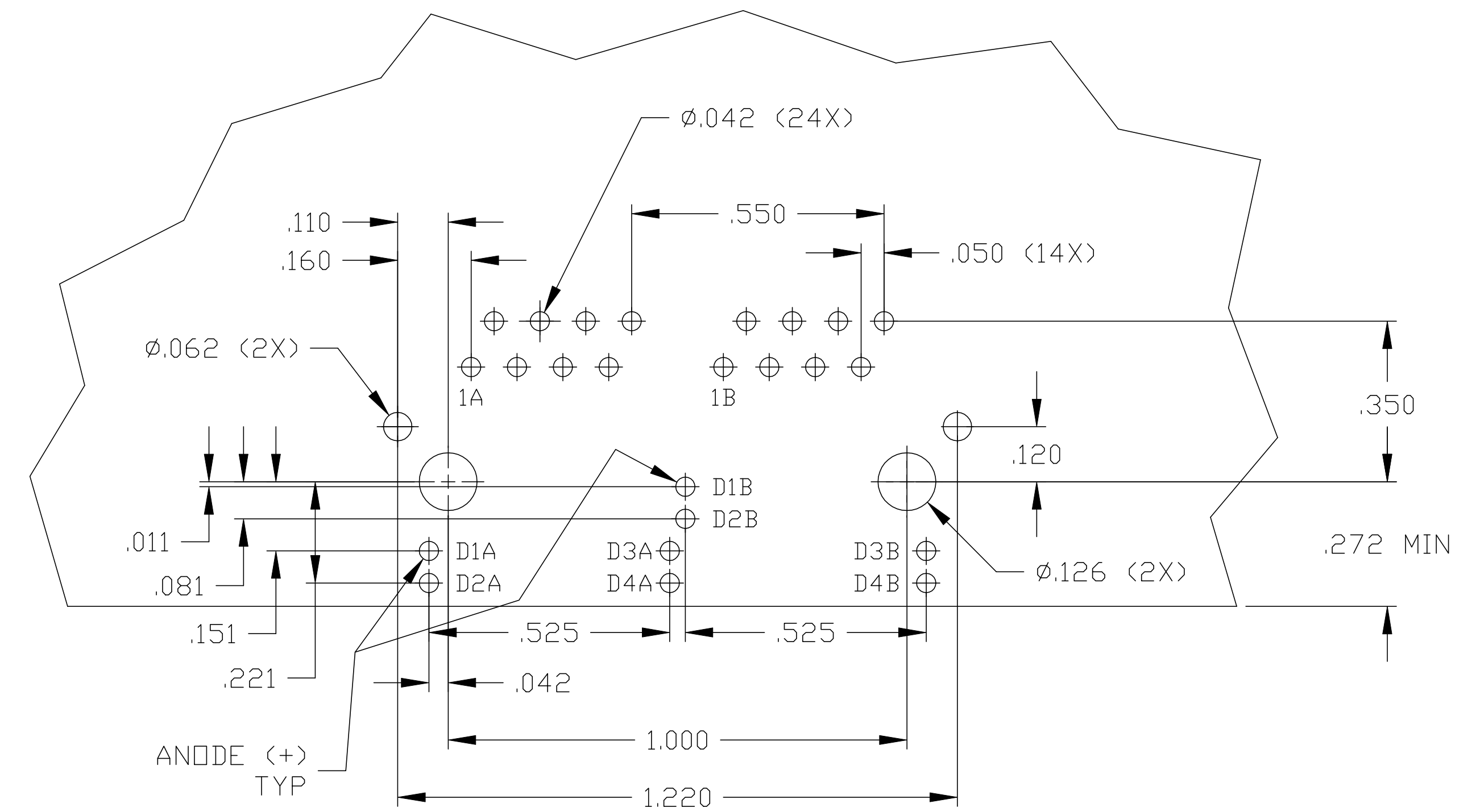
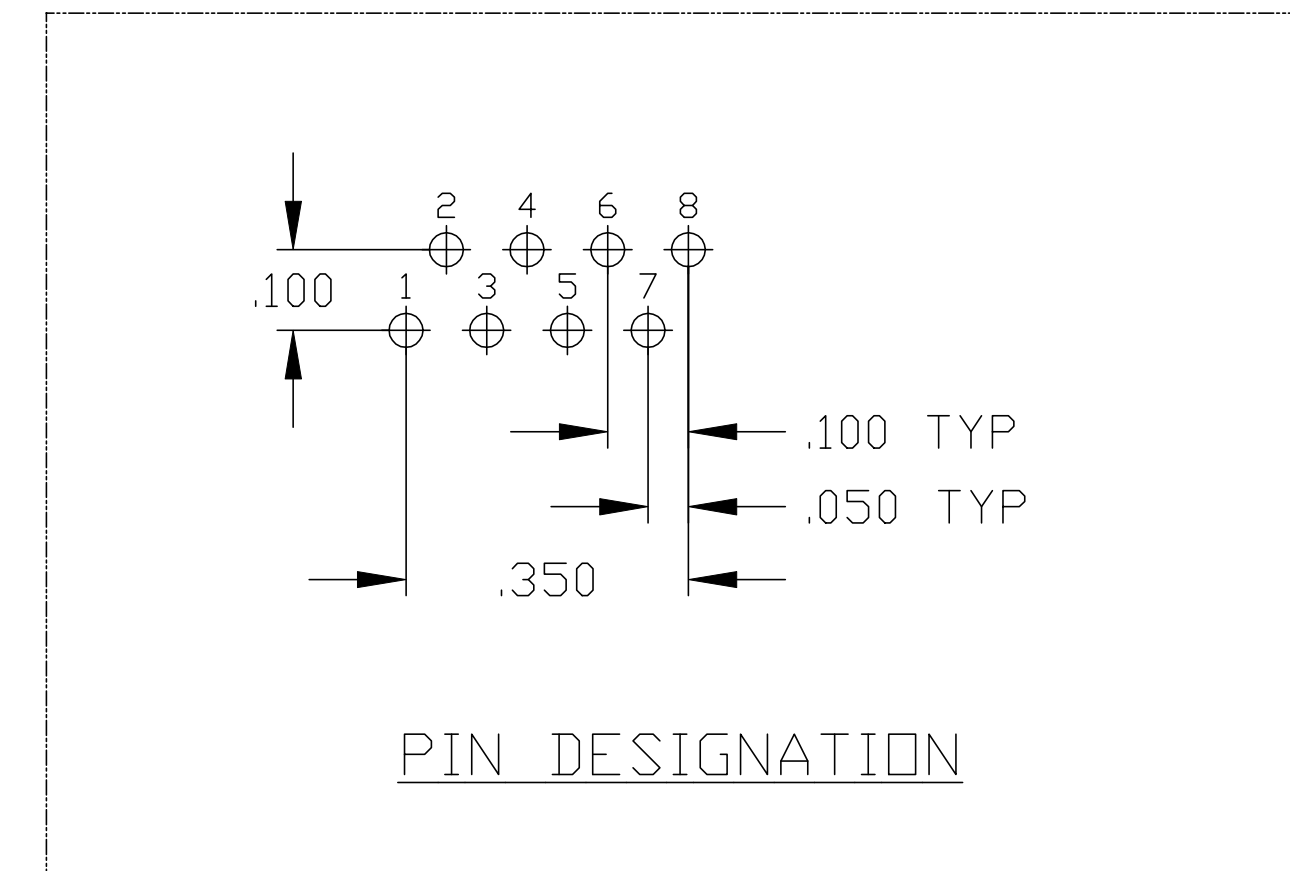
THIS DRAWING IS A CONTROLLED DOCUMENT.		DWN: G. ATTADIA - DOCK5 17MAR2005 CHK: D. FAROLE 17MAR2005 APVD: D. FAROLE 17MAR2005 MODEL NAME: MAGJACK GANG NON-POE		DONGGUAN CHINA	
DIMENSIONS: INCHES TOLERANCES UNLESS OTHERWISE SPECIFIED: 0 PLC ± - 1 PLC ± - 2 PLC ± .010 3 PLC ± .005 4 PLC ± - ANGLES ± -		DESC: 1X2 726ET 10/100 TAB UP W/ LED SIZE: A1 CAGE CODE: C-6610197 DRAWING NO:		RESTRICTED TO: - SCALE: NTS SHEET: 1 OF 2 REV: D	
PRODUCT SPEC: 108-2100		APPLICATION SPEC: -		CUSTOMER DRAWING	

### 726 ET SERIES MAGNETIC CIRCUIT



C1 = 1000pF, 2KV CAPACITOR

R1-R4 = 75 OHMS, 1/16 W RESISTORS



SUGGESTED PCB LAYOUT  
(Component Side)

THIS DRAWING IS A CONTROLLED DOCUMENT.		OWN G. ATTADIA - DOCK5 17MAR2005	CHK D. FAROLE 17MAR2005	APVD D. FAROLE 17MAR2005	MODEL NAME MAGJACK GANG	DESC 1X2 726ET 10/100 TAB UP W/ LED	SIZE A1	CAGE CODE -	DRAWING NO C-6610197	RESTRICTED TO -	
DIMENSIONS: INCHES	TOLERANCES UNLESS OTHERWISE SPECIFIED:	0 PLC ± -		1 PLC ± -		2 PLC ± .010		3 PLC ± .005		4 PLC ± -	
PRODUCT SPEC 108-2100	APPLICATION SPEC -	ANGLES ± -		SCALE NTS		SHEET 2		OF 2		REV D	

