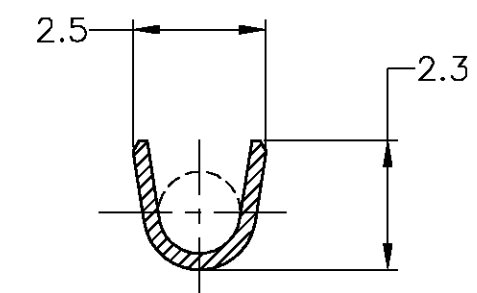
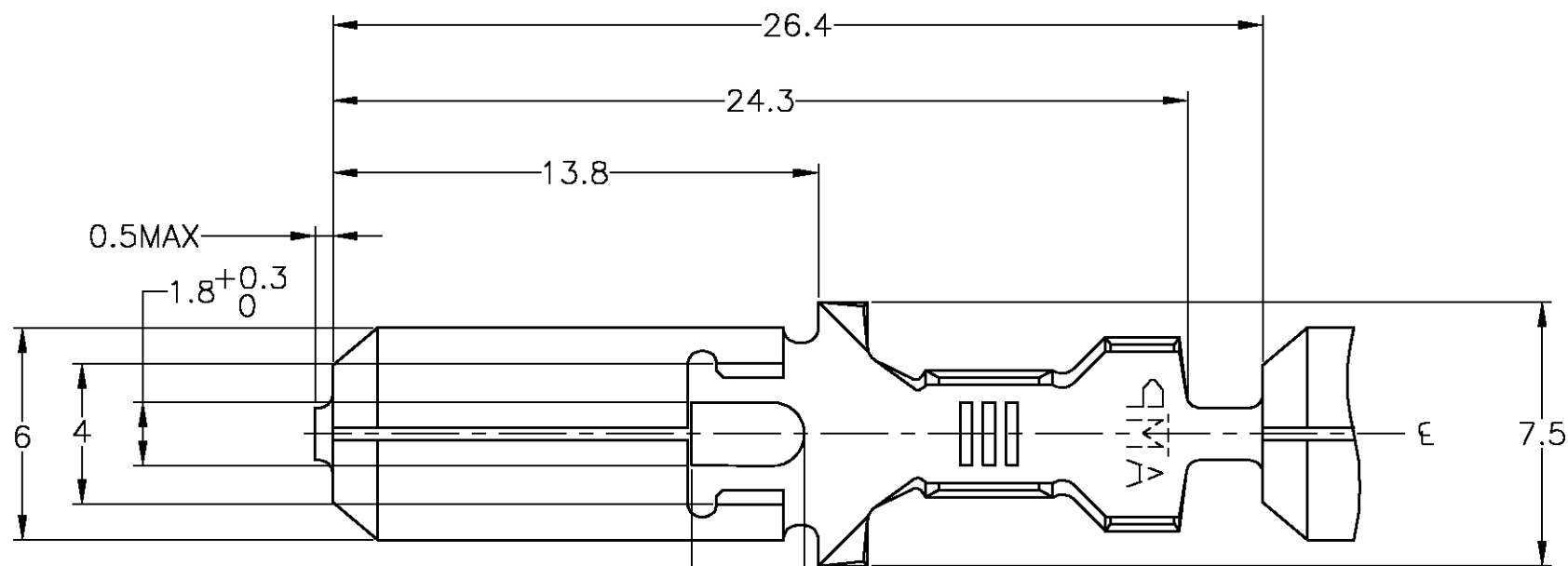
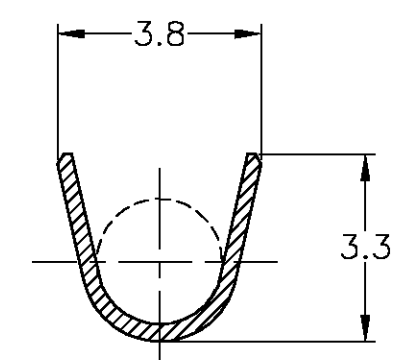


THIS DRAWING IS UNPUBLISHED. RELEASED FOR PUBLICATION  
 © COPYRIGHT BY TYCO ELECTRONICS CORPORATION. ALL RIGHTS RESERVED.

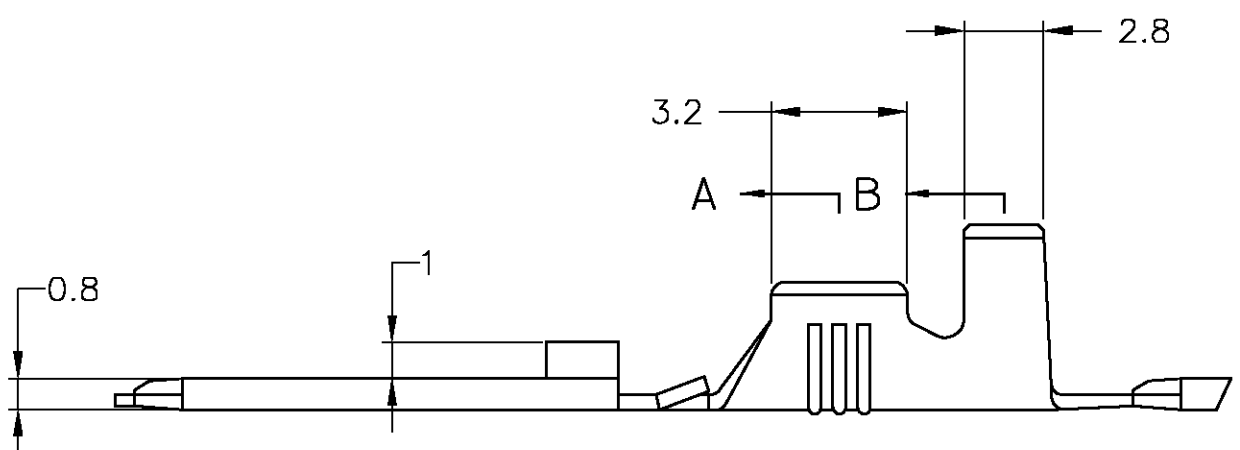
LOC	DIST	REVISIONS					
J	-	P	LTR	DESCRIPTION	DATE	DWN	APVD
		A1		REDRAWN W/CHANGE FJA0-0527-03	09SEP03	AY	KB



A - A



B - B



A ← B ←

PRE-TIN	BRASS TEMP#2 ±0.4	170349-2
#	BRASS TEMP#2 ±0.4	170349-1
FINISH	MATERIAL	AMP PART NUMBER

WIRE RANGE AWG No. #22~#20 {0.3~0.5mm²sq}	THIS DRAWING IS A CONTROLLED DOCUMENT.		DWN A.YAMAGUCHI 09SEP03	Tyco Electronics AMP K.K. Kawasaki, Japan		
INSULATION DIA 1.5~2.2 DIA	DIMENSIONS: 單位: 耗 MM	TOLERANCES UNLESS OTHERWISE SPECIFIED: 一般公差	CHK K.BETSUI 09SEP03	NAME 名称		
TOLERANCE UNLESS OTHERWISE SPECIFIED: 一般公差		0 PLC ±-	APVD K.BETSUI 09SEP03	250 SERIES TAB WITHOUT LATCH		
0 < x ≤ 10 : ±0.2		1 PLC ±-	PRODUCT SPEC 製品規格 108-5147	SIZE	CAGE CODE	DRAWING NO 番号
10 < x ≤ 30 : ±0.25	MATERIAL 材料	2 PLC ±-	APPLICATION SPEC 取付適用規格 114-5052	A3	00779	C-170349
ANGLE ; 角度	SEE TABLE	3 PLC ±-	WEIGHT 0.65 g	RESTRICTED TO		
		4 PLC ±-	CUSTOMER DRAWING			
		ANGLES ±-	SCALE 尺度 5:1	SHEET 1 OF 1	REV A1	