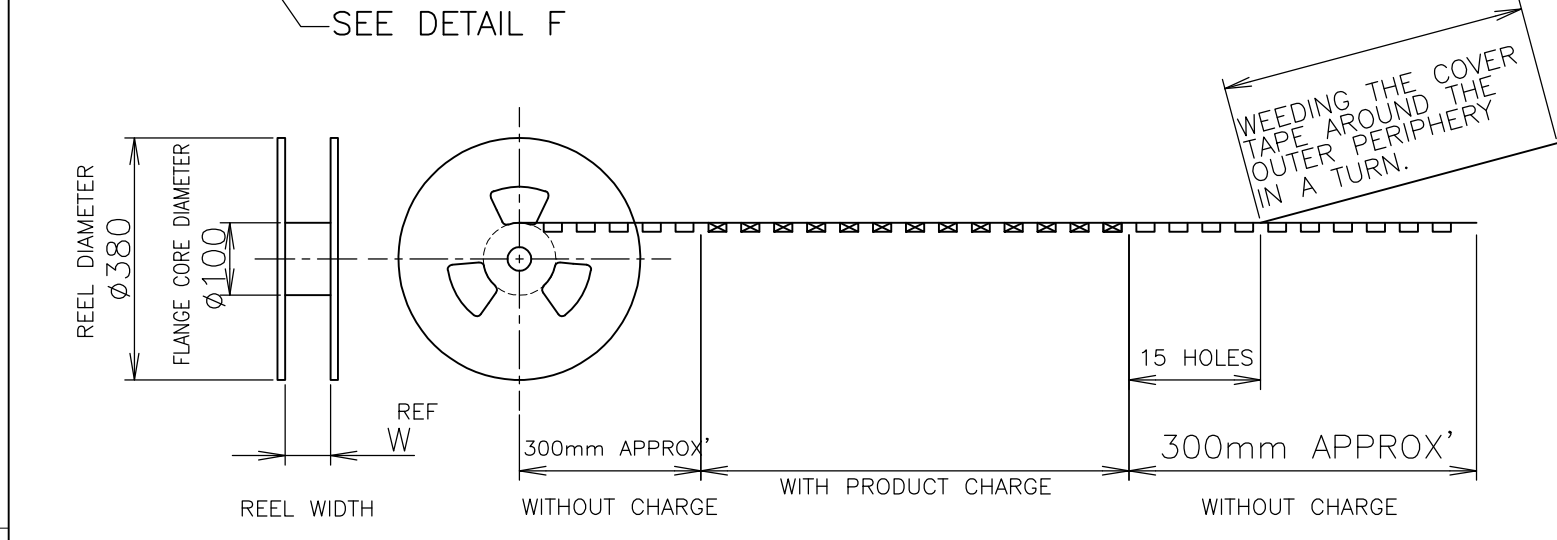
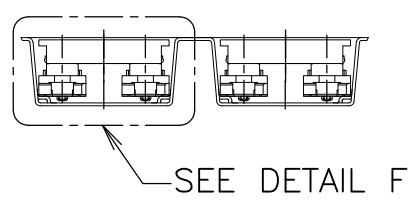
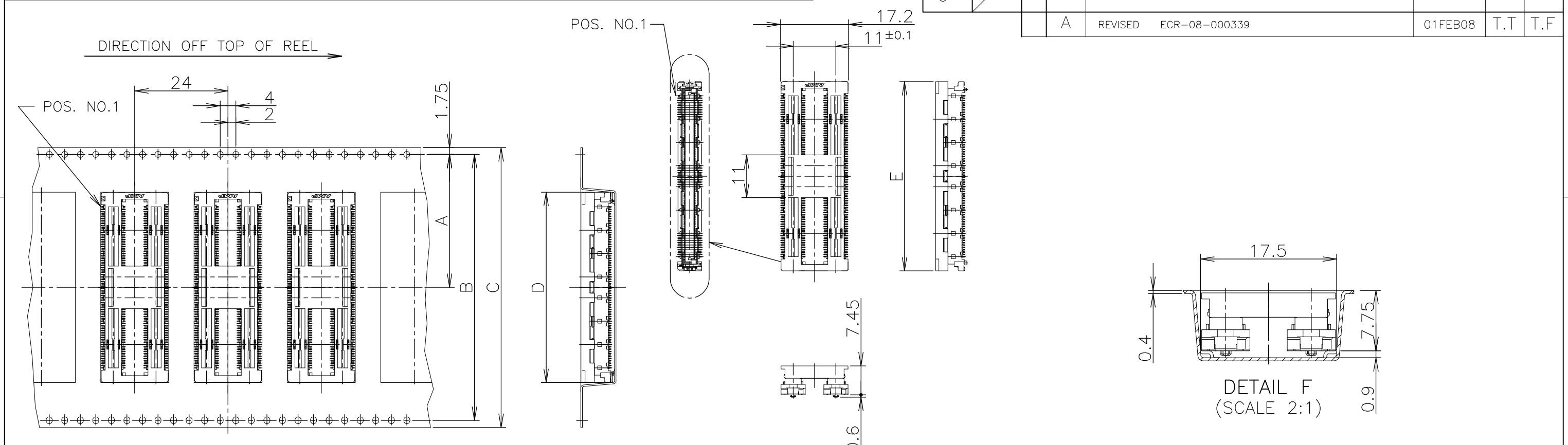


THIS DRAWING IS UNPUBLISHED. RELEASED FOR PUBLICATION JUN , 1996.
 © COPYRIGHT 1996 BY TYCO ELECTRONICS CORPORATION. ALL RIGHTS RESERVED.

LOC		DIST		REVISIONS				
J				変更				
P	LTR	DESCRIPTION			DATE	DWN	APVD	
	A	REVISED ECR-08-000339			01FEB08	T.T	T.F	



WEEDING THE COVER TAPE AROUND THE OUTER PERIPHERY IN A TURN.

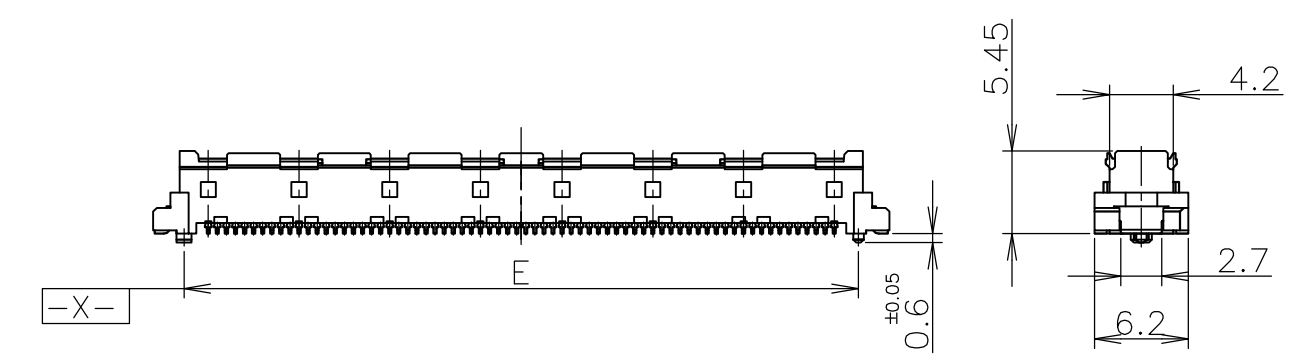
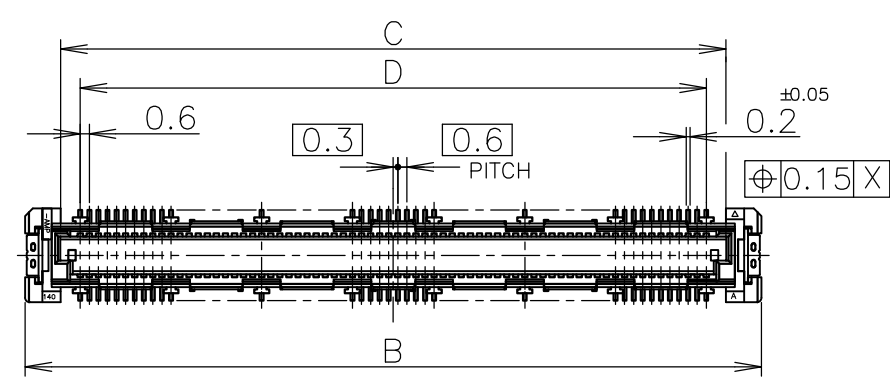
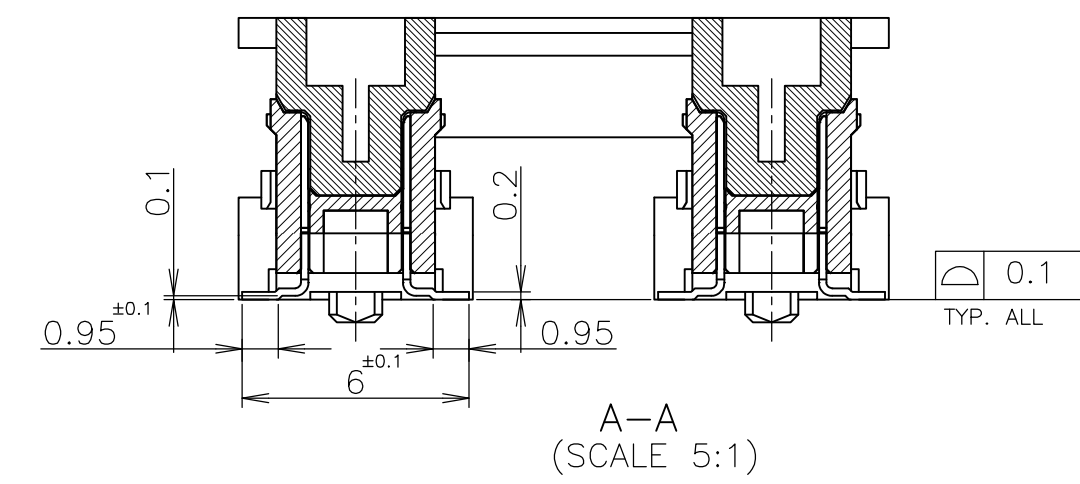
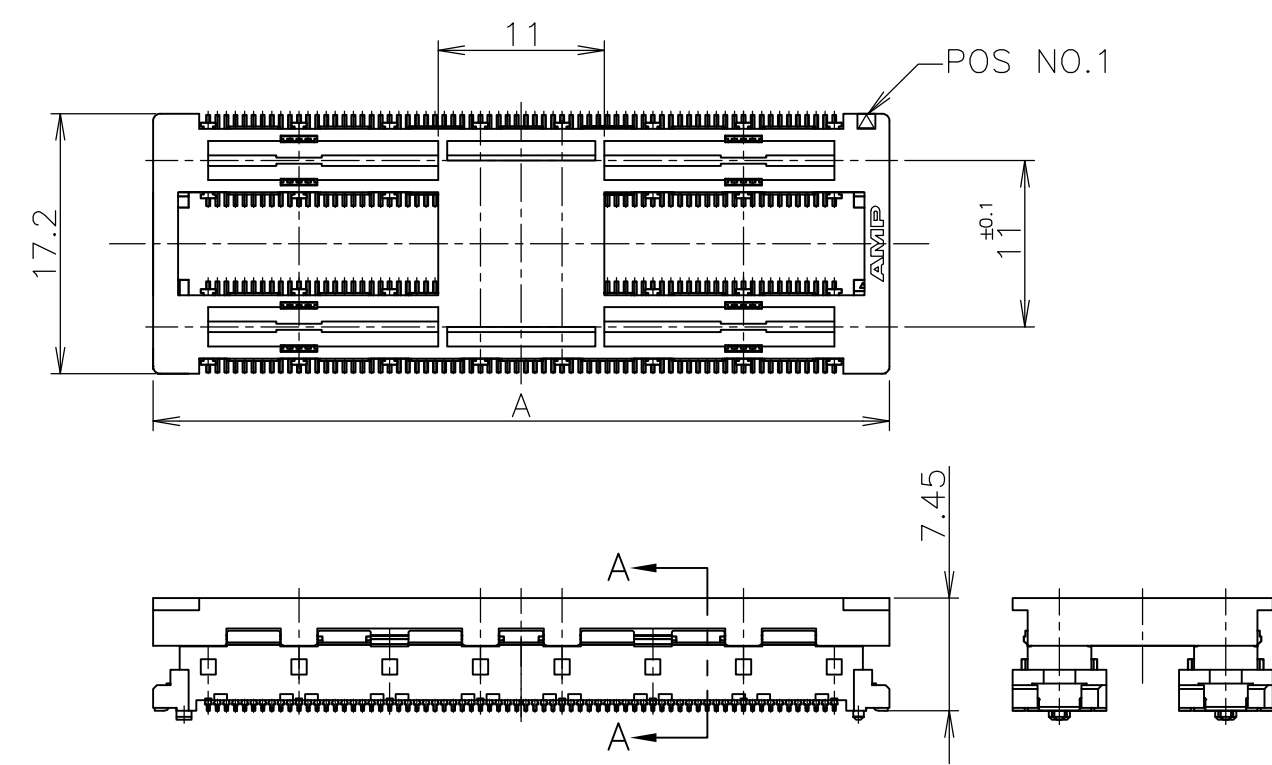
3 THIS PRODUCT WAS COATED BY FLUX-PENETRATION -INHIBITING AGENT.

SEALANT	NOT AVAILABLE	400	77.5	54.7	55	72	68.4	34.2	320	6-5353134-1
	AVAILABLE	↑	77.5	48.7	49	72	68.4	34.2	280	6-↑-0
NON SEALANT	NOT AVAILABLE	↑	61.5	42.7	43	56	52.4	26.2	240	5-↑-9
	NOT AVAILABLE	400	61.5	36.7	37	56	52.4	26.2	200	5-5353134-8
NON SEALANT	NOT AVAILABLE	400	77.5	54.7	55	72	68.4	34.2	320	1-5353134-1
	AVAILABLE	↑	77.5	48.7	49	72	68.4	34.2	280	1-↑-0
NON SEALANT	NOT AVAILABLE	↑	61.5	42.7	43	56	52.4	26.2	240	↑-9
	NOT AVAILABLE	400	61.5	36.7	37	56	52.4	26.2	200	5353134-8
SEALANT	TOOLING STATUS	QTY.	W	E	D	C	B	A	POS.	PART NO.

THIS DRAWING IS A CONTROLLED DOCUMENT.		DWN HAWKING HE 20DEC04	Tyco Electronics Corporation Kawasaki, Japan		
DIMENSIONS: 单位: 耗 mm		CHK STEVEN YAO 20DEC04	NAME 名称		
TOLERANCES UNLESS OTHERWISE SPECIFIED: 一般公差		APVD I.ENOMOTO 20DEC04	EMBOSS ASSY		
0 PLC ± 0.2		PRODUCT SPEC 製品規格	FH 0.6BTB CONNECTOR		
1 PLC ± 0.2		APPLICATION SPEC 取付適用規格	PLUG 6H 2ROW TYPE		
2 PLC ± 0.2		WEIGHT	SIZE A3	CAGE CODE 00779	DRAWING NO 番号 G-5353134
3 PLC ± 0.2		CUSTOMER DRAWING	RESTRICTED TO		
4 PLC ± 0.2			SCALE 尺度 1:1		
ANGLES ± 5'			SHEET 1 OF 3		
FINISH 仕上			REV A		

THIS DRAWING IS UNPUBLISHED. RELEASED FOR PUBLICATION JUN , 1996.
 © COPYRIGHT 1996 BY TYCO ELECTRONICS CORPORATION. ALL RIGHTS RESERVED.

LOC	DIST	REVISIONS			DATE	DWN	APVD
J		P	LTR	DESCRIPTION			
				SEE SHEET 1	-	-	-



- 1 MATERIAL ; HOUSING : HIGH TEMP THERMO PLASTIC UL94V-0
CONTACT : COPPER ALLOY
- 2 FINISH ; UNDER PL Ni 0.0013mm MIN ALL OVER.
CONTACT AREA 0.0002 MIN Au PL.
SOLDERING AREA 0.001 MIN TIN PL.

51.8	50.6	47.4	50	54.7	54.7	320
45.8	44.6	41.4	44	48.7	48.7	280
39.8	38.6	35.4	38	42.7	42.7	240
33.8	32.6	29.4	32	36.7	36.7	200
F	E	D	C	B	A	POS

GENERAL TOLERANCE
 一般公差
 10 ≥ : ±0.2
 30 ≥ : >10: ±0.25
 100 ≥ : >30: ±0.3
 ANGLES: ±3°

THIS DRAWING IS A CONTROLLED DOCUMENT.

DIMENSIONS: 単位: 耗 mm	TOLERANCES UNLESS OTHERWISE SPECIFIED: 一般公差	DWN	Tyco Electronics Tyco Electronics Corporation Kawasaki, Japan	
	0 PLC ± -	CHK	NAME 名称	
	1 PLC ± -	APVD	EMBOSS ASSY	
	2 PLC ± -	PRODUCT SPEC 製品規格	FH 0.6BTB CONNECTOR	
	3 PLC ± -	APPLICATION SPEC 取付適用規格	PLUG 6H 2ROW TYPE	
	4 PLC ± -	WEIGHT	SIZE	CAGE CODE
	ANGLES ± -		A3	00779
MATERIAL 材料	FINISH 仕上	DRAWING NO 番号		RESTRICTED TO
1	2	G-5353134		
CUSTOMER DRAWING		SCALE 尺度	SHEET	REV
		2:1	2 OF 3	A

THIS DRAWING IS UNPUBLISHED. RELEASED FOR PUBLICATION JUN , 1996.

© COPYRIGHT 1996 BY TYCO ELECTRONICS CORPORATION. ALL RIGHTS RESERVED.

LOC J DIST

REVISIONS

変更

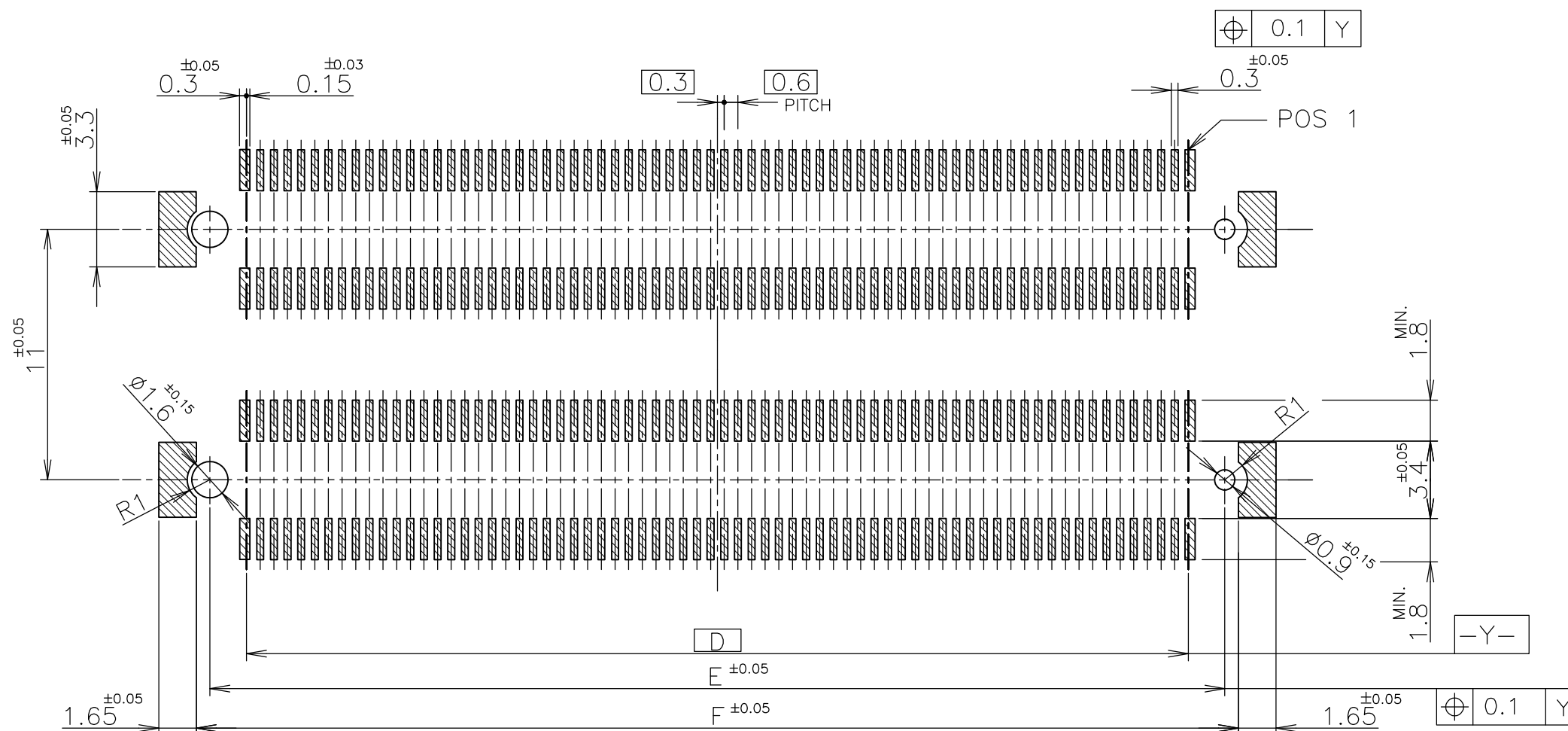
DESCRIPTION

DATE

DWN

APVD

SEE SHEET 1

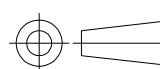


REFERENCE P.C.BOARD LAYOUT

THIS DRAWING IS A CONTROLLED DOCUMENT.

DIMENSIONS: 単位: 耗 mm

TOLERANCES UNLESS OTHERWISE SPECIFIED: 一般公差



- 0 PLC $\pm -$
- 1 PLC $\pm -$
- 2 PLC $\pm -$
- 3 PLC $\pm -$
- 4 PLC $\pm -$
- ANGLES $\pm -$

MATERIAL 材料

FINISH 仕上



GENERAL TOLERANCE 一般公差

10 \geq : ± 0.2
 30 \geq : $>10: \pm 0.25$
 100 \geq : $>30: \pm 0.3$
 ANGLES: $\pm 3^\circ$

DWN
CHK
APVD
PRODUCT SPEC 製品規格
APPLICATION SPEC 取付適用規格
WEIGHT
CUSTOMER DRAWING

Tyco Electronics Corporation Kawasaki, Japan		NAME 名称 EMBOSS ASSY FH 0.6BTB CONNECTOR PLUG 6H 2ROW TYPE		RESTRICTED TO
SIZE A3	CAGE CODE 00779	DRAWING NO 番号 G-5353134		
SCALE 尺度 4:1		SHEET 3 OF 3	REV A	