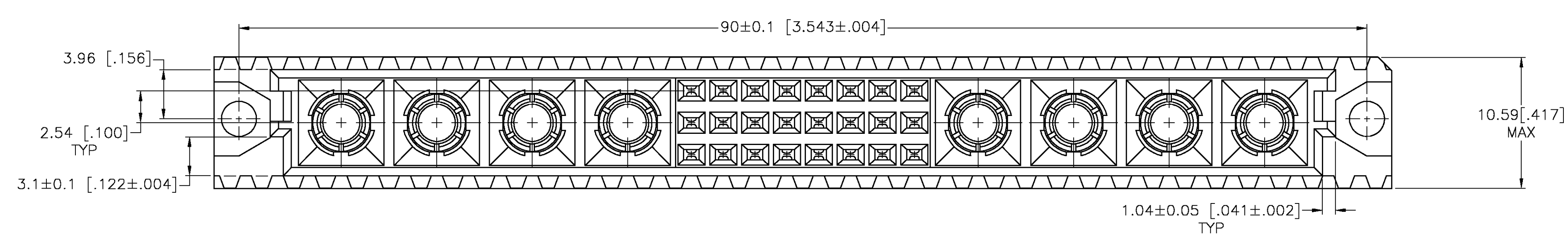
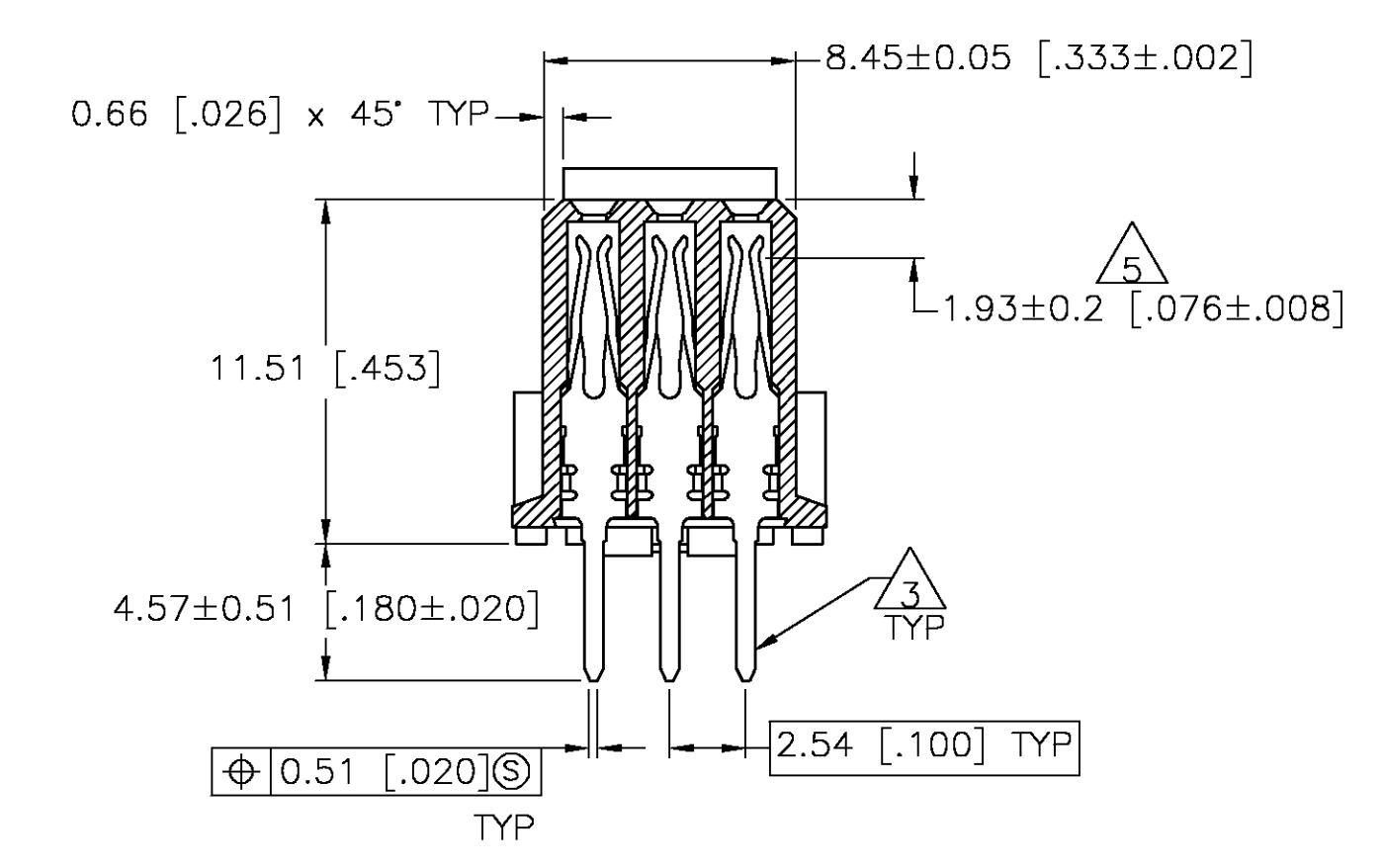
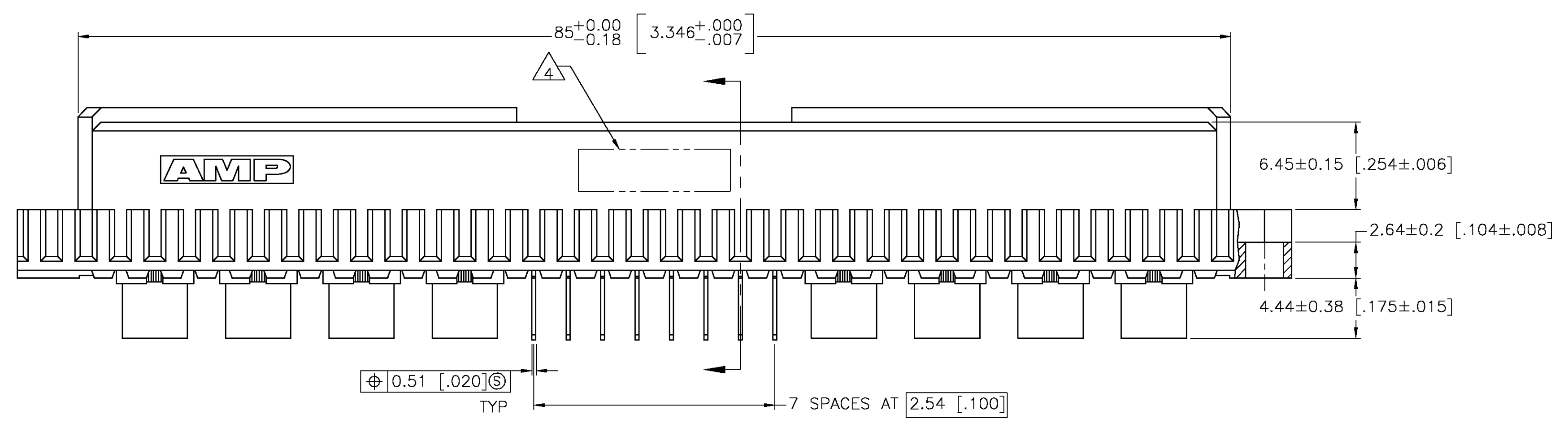


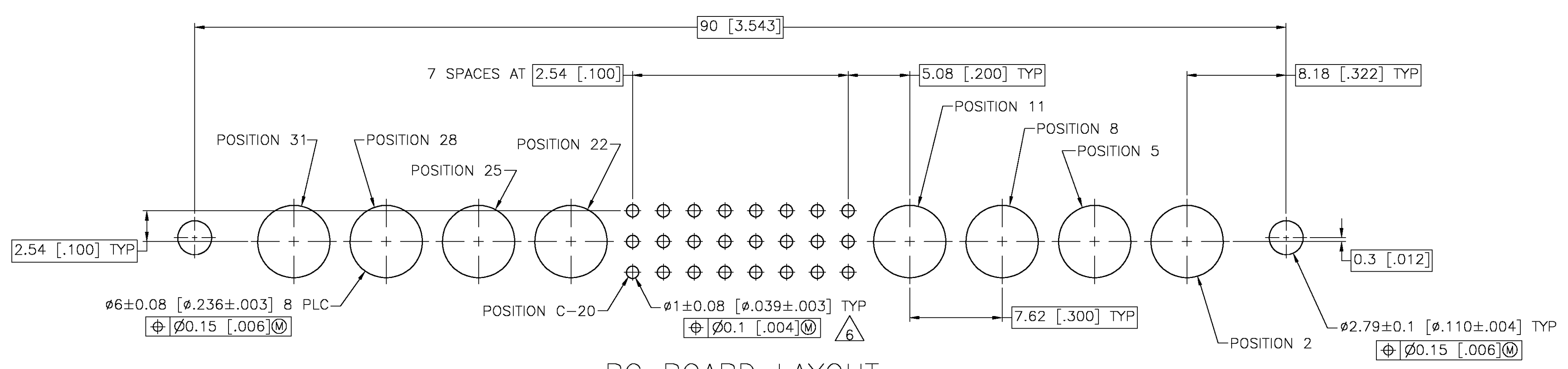
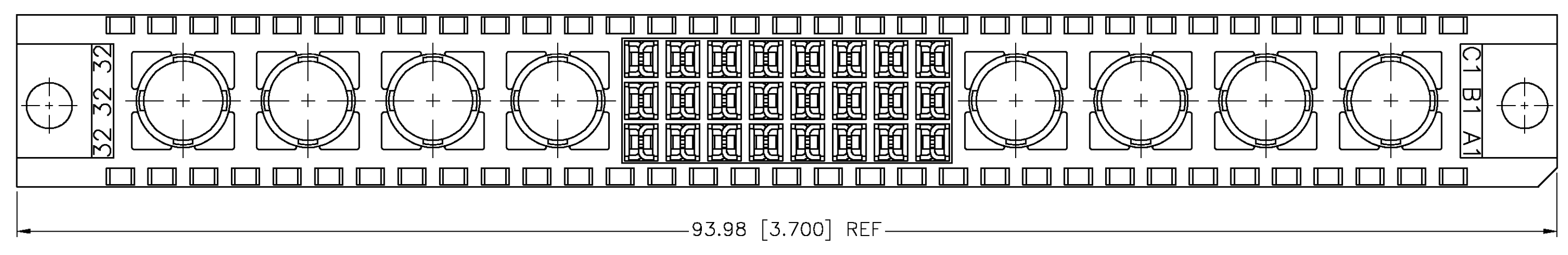
LOC		DIST		REVISIONS			
P	LR	DATE	BY	APPROV			
0	REV PER EC	0512-0251-04	17MAY04	NK	AS		



- 1 HOUSING MATERIAL: GLASS-FILLED POLYESTER, GRAY.
- 2 SIGNAL CONTACT MATERIAL: PHOSPHOR BRONZE. POWER CONTACT MATERIAL: COPPER ALLOY.
- 3 SIGNAL CONTACT: DIN 41612 CLASS 1 IN CONTACT AREA. TIN-LEAD PLATE ON POSTS. POWER CONTACT: DIN 41612, CLASS 1 IN CONTACT AREA.
- 4 PART NUMBER, DATE CODE IDENTIFICATION, CSA LOGO IN THIS APPROXIMATE AREA.
- 5 CONTACT POINT, SIGNAL CONTACT.
- 6 RECOMMENDED HOLE SIZE FOR MANUAL APPLICATION OF CONNECTOR ONTO PC BOARD.



POWER CONTACT REMOVED FOR CLARITY



PC BOARD LAYOUT

148684-1
PART NUMBER

THIS DRAWING IS A CONTROLLED DOCUMENT.		DWG: B. CARBO 23FEB04		Tyco Electronics Corporation Harrisburg, Pa 17105-3608	
DIMENSIONS: mm [INCHES]		CHK: A. SHARPE 23FEB04		NAME: RECEPTACLE ASSEMBLY, EUROCARD, TYPE M, 24 + 8	
TOLERANCES UNLESS OTHERWISE SPECIFIED:		APP'D: A. SHARPE 23FEB04	APPLICATION SPEC: ---		
0 PLC ± -		SIZE: A1		CAGE CODE: 00779	DRAWING NO: 148684
1 PLC ± -		WEIGHT: ---		RESTRICTED TO: ---	
2 PLC ± 0.13[.005]		CUSTOMER DRAWING		SCALE: 4:1	
3 PLC ± -		SHEET: 1 OF 1		REV: 0	
4 PLC ± -					
ANGLES ± -					
FINISH: ---					