

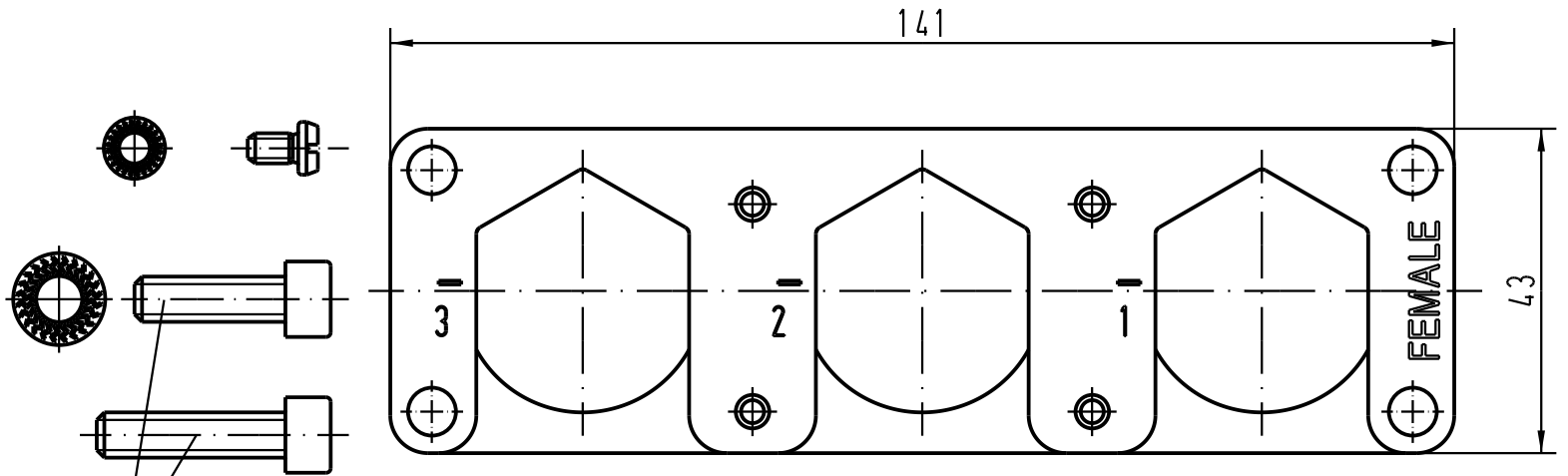
1 2 3 4 5 6

A

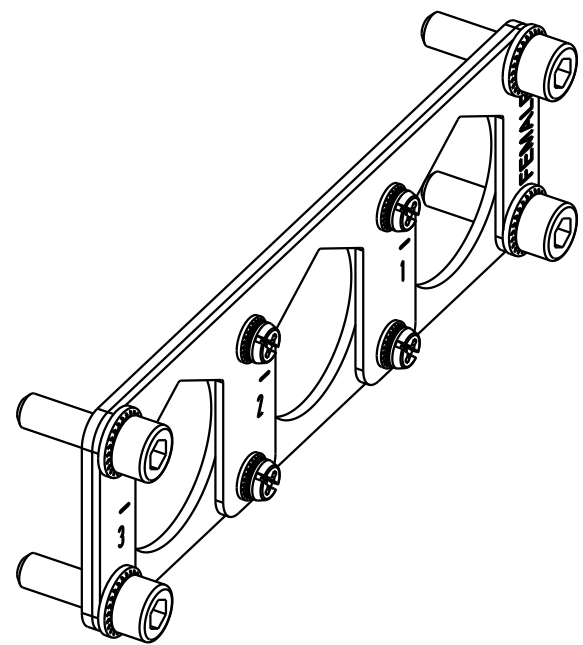
B

C

D



Schraube M6x25- für Anbaugeschäse/ screw M6x25- for housings
 Schraube M6x20- für Tüllengehäse/ screw M6x20- for hoods



| | | | | | | |
|---|------|-------------------|---|----------|--|--|
| All Dimensions in mm Original Size DIN A 4 | | Techn. Character. | | | Nicht tolerierte Masse/ Free size tolerances | |
| | | | Dat. | Name | Massstab/ Scale | |
| | | | Detail. | 02.03.05 | Loe. | HC 350-Halterung enlarged-F 3x HC 350 mounting |
| | | | Insp. | | Ole | |
| | | | Stand. | | | |
| | | | HARTING Electric GmbH & Co. KG D-32339 Espelkamp | | | TB 09 11 000 9958 |
| 411500 | | | | | | |
| Mod. | Dat. | Name | | | | Sub. |