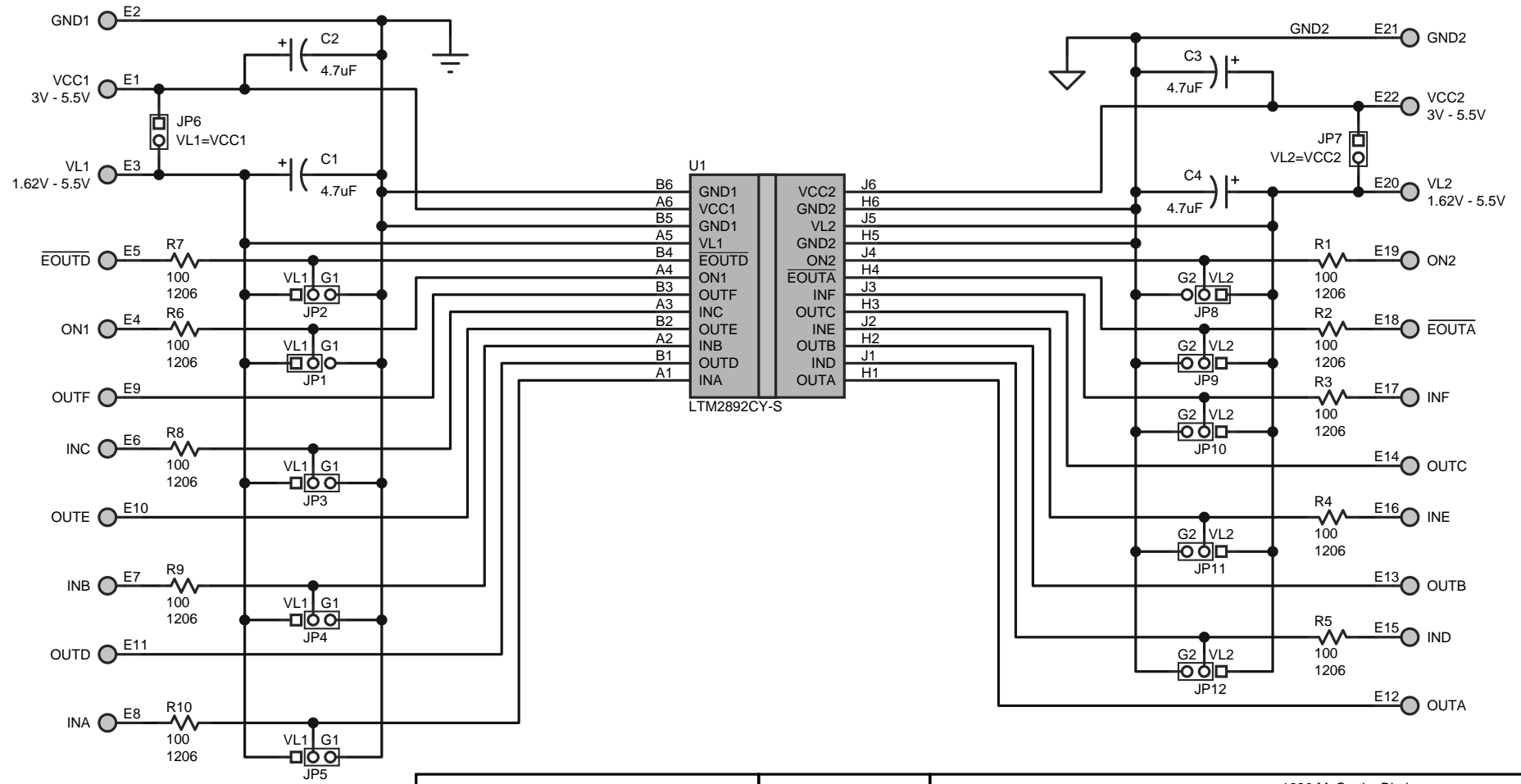


REVISION HISTORY

ECO	REV	DESCRIPTION	APPROVED	DATE
-	1	1ST PROTOTYPE	KEITH B.	4/17/12



CUSTOMER NOTICE

LINEAR TECHNOLOGY HAS MADE A BEST EFFORT TO DESIGN A CIRCUIT THAT MEETS CUSTOMER - SUPPLIED SPECIFICATIONS; HOWEVER, IT REMAINS THE CUSTOMERS RESPONSIBILITY TO VERIFY PROPER AND RELIABLE OPERATION IN THE ACTUAL APPLICATION. COMPONENT SUBSTITUTION AND PRINTED CIRCUIT LAYOUT MAY SIGNIFICANTLY AFFECT CIRCUIT PERFORMANCE OR RELIABILITY. CONTACT LINEAR TECHNOLOGY APPLICATIONS ENGINEERING FOR ASSISTANCE.

THIS CIRCUIT IS PROPRIETARY TO LINEAR TECHNOLOGY AND SUPPLIED FOR USE WITH LINEAR TECHNOLOGY PARTS.

APPROVALS

PCB DES.	KEITH B.
APP ENG.	KEITH B.



1630 McCarthy Blvd.
Milpitas, CA 95035
Phone: (408) 432-1900
Fax: (408) 434-0507
www.linear.com

LTC CONFIDENTIAL
FOR CUSTOMER
USE ONLY

TITLE: SCHEMATIC

SPI/DIGITAL uMODULE ISOLATOR

SIZE	IC NO.	LTM2892CY-S	REV.
		DEMO CIRCUIT 1957A	1

SCALE = NONE

DATE: Wednesday, May 09, 2012

SHEET 1 OF 1

NOTES: UNLESS OTHERWISE SPECIFIED

- ALL RESISTORS ARE IN OHMS, 0805.
ALL CAPACITORS ARE IN MICROFARADS, 0805.