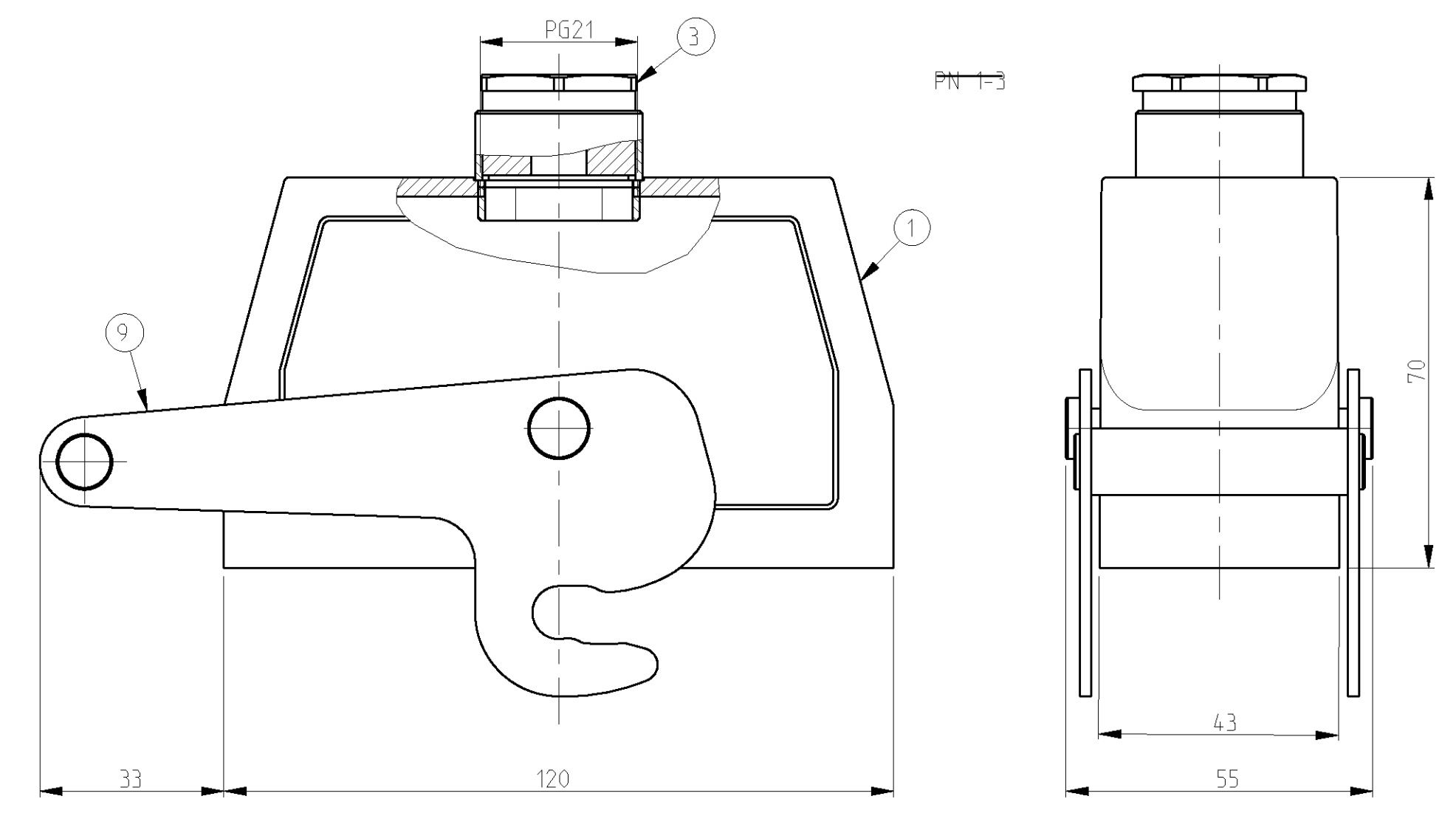
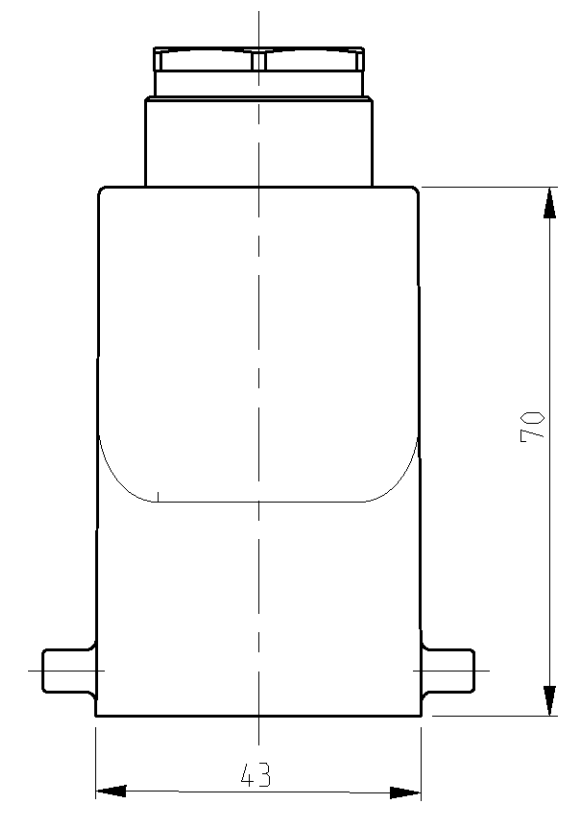
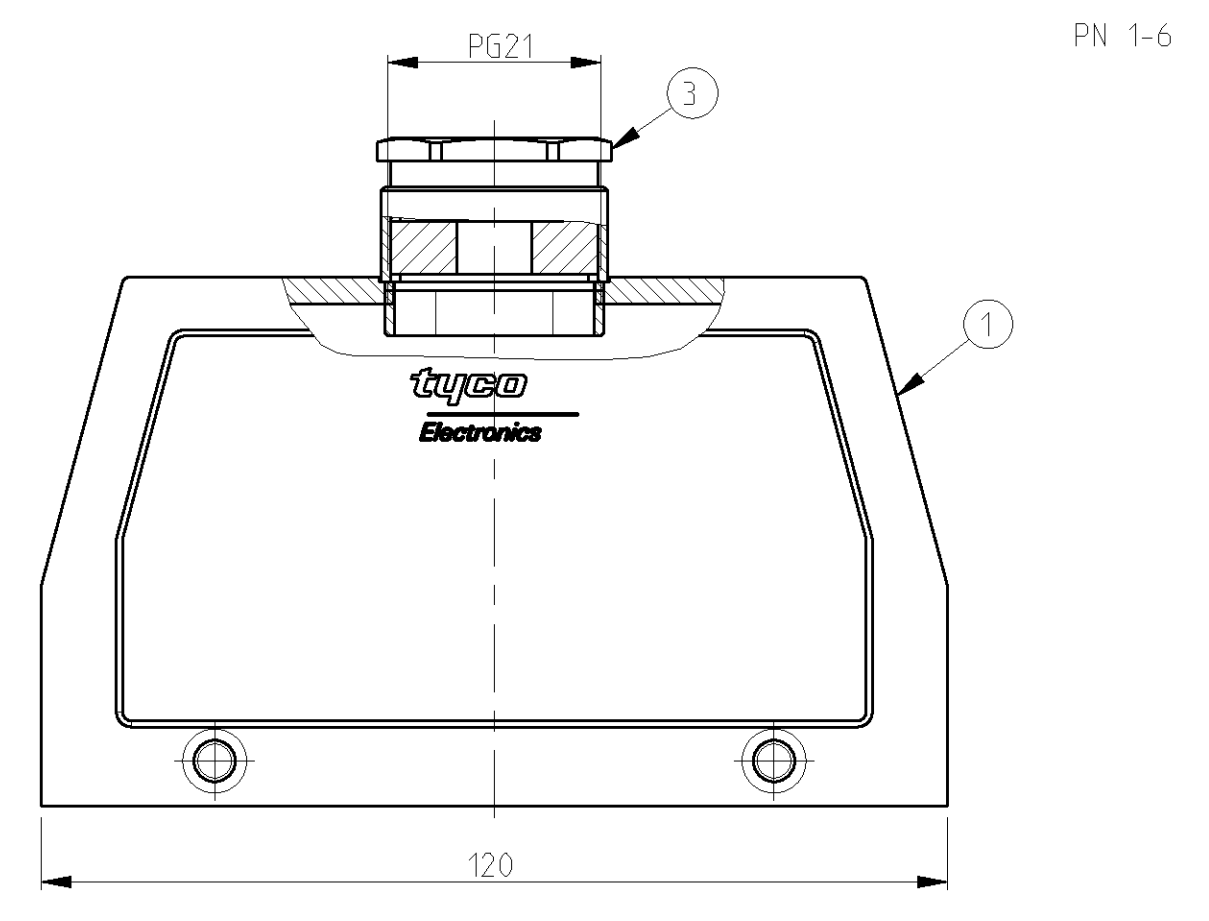
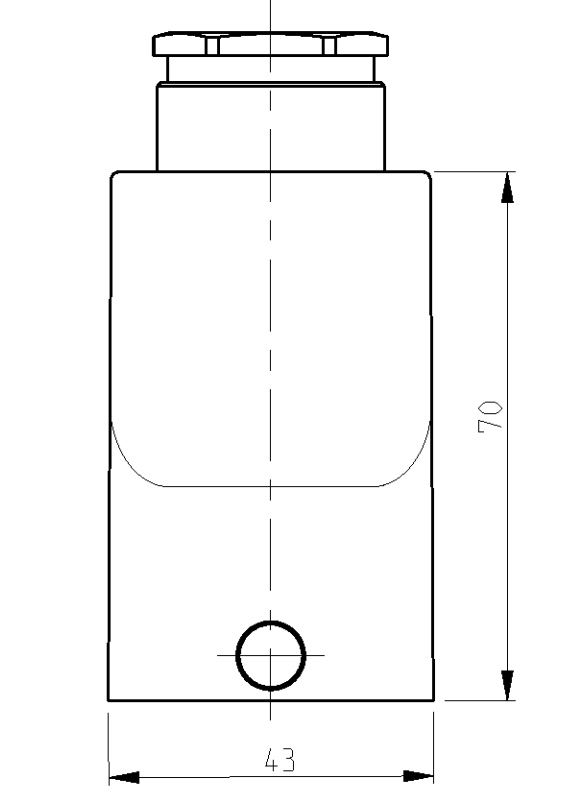
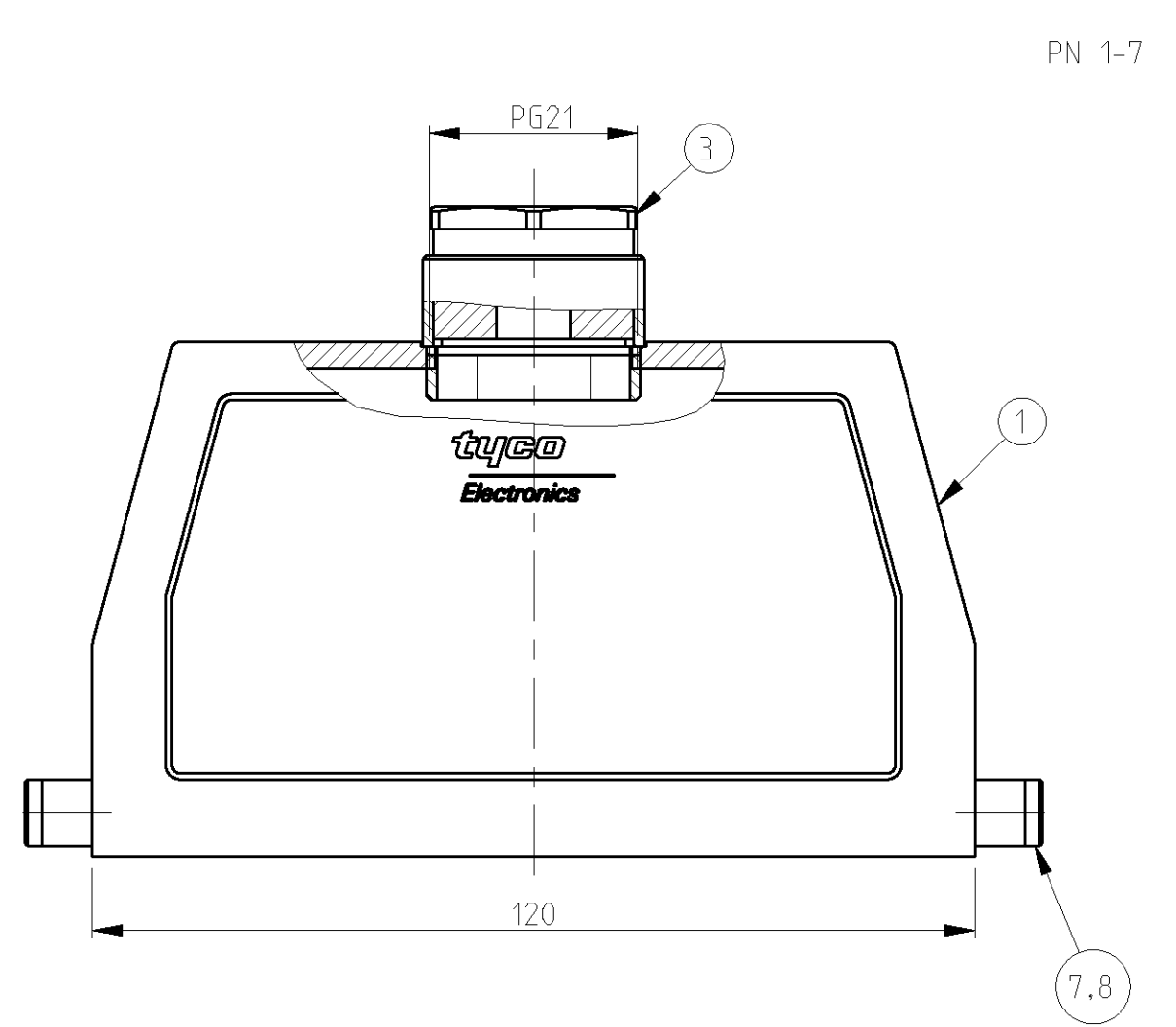
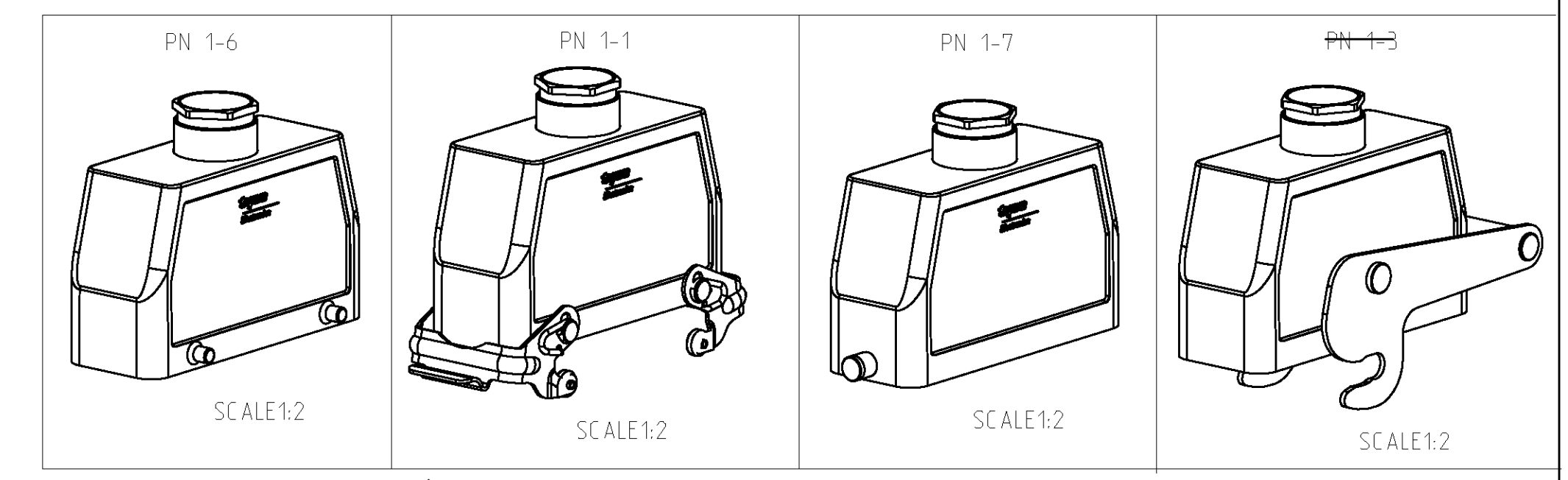
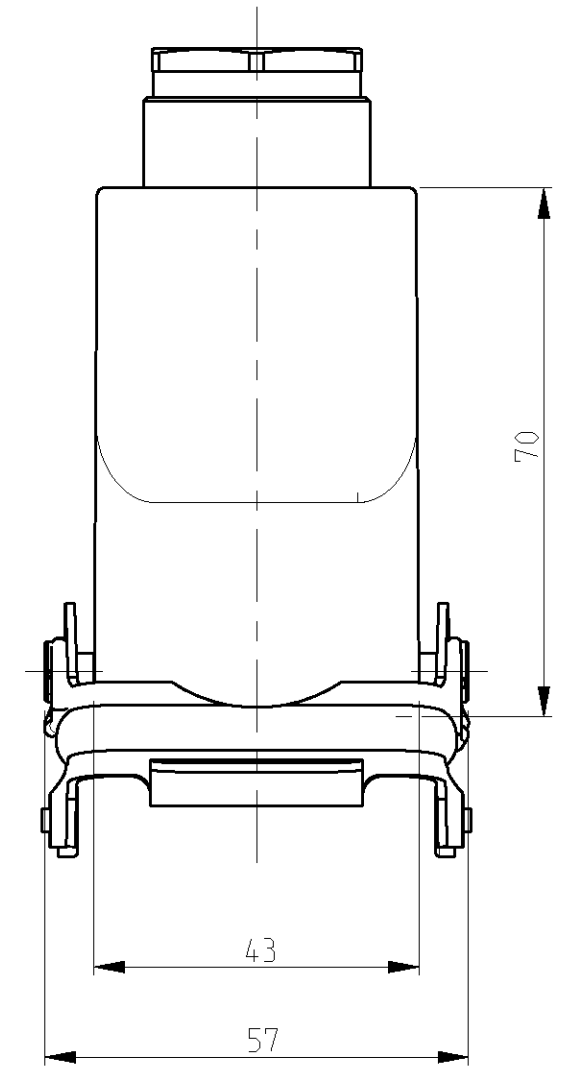
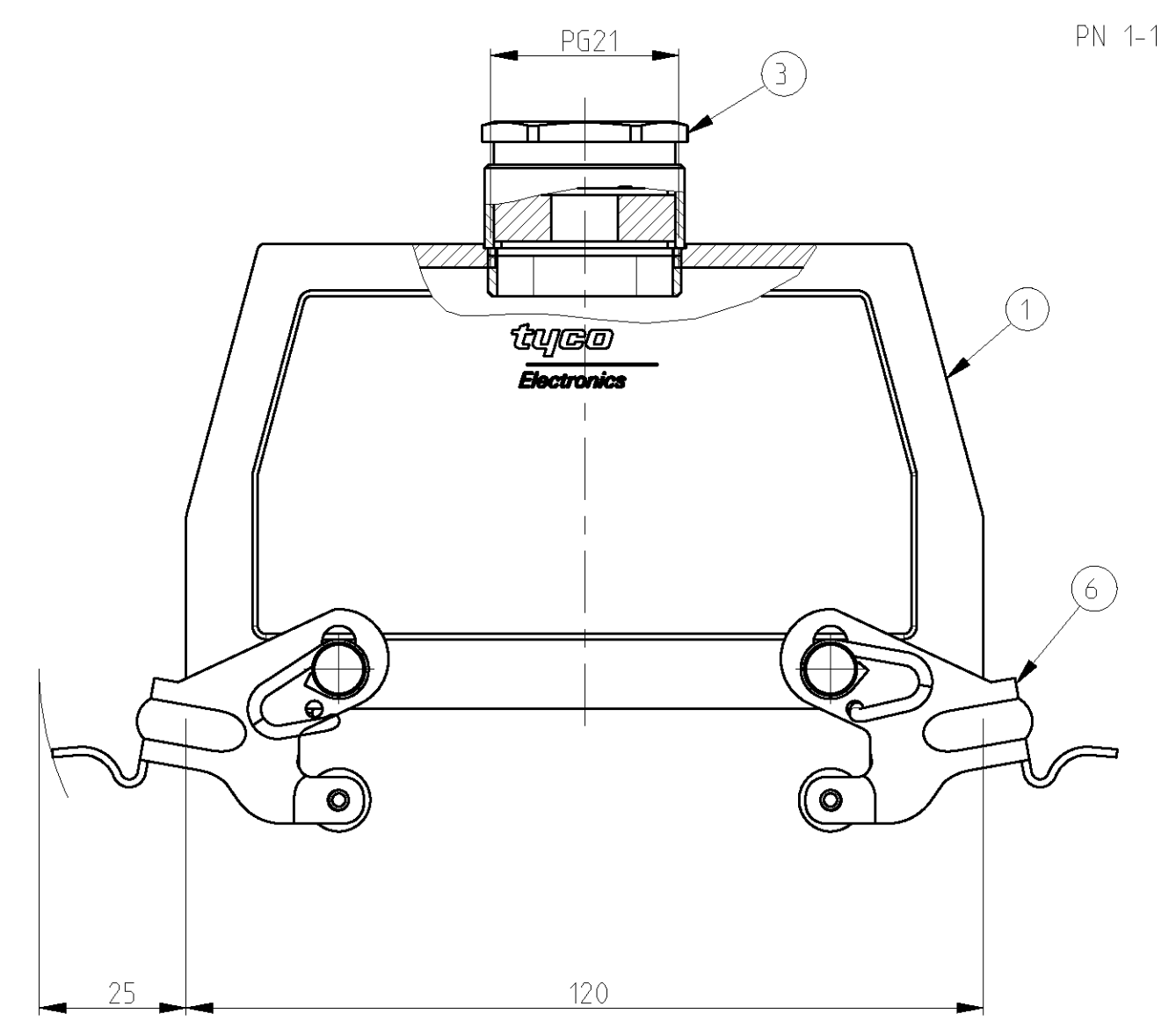


LOC	DIST	REVISIONS			
REV	DATE	DESCRIPTION	DATE	DWN	APVD
A1	-	-	-	-	-
A3	22.08.07	Released as per ECR-07-019955	22.08.07	SK	TS
A4	19JAN10	REVISED PER ECO-09-027197	19JAN10	KK	HMR



- NOTES.
- Material:Housing:Aluminium Diecasting Alloy
 - Surface:Varnish grey
 - Varnish on the inside not necessary
 - Packaging Quantity 5 Pieces in a box
- OBsolete PARTS: OBSOLETE CIS STREAMLINING PER D.RENAUD/D.SINISI**



QTY	DESCRIPTION	MATERIAL	SURFACE	COLOR	ITEM NO	REMARKS
2	ZB-Central clip	Steel	Zinc plated	Blue	9	
2	LB-Clip bolt	Stainless steel	-	-	8	
2	LB-Clip bolt	Steel	Zinc plated	Blue	7	
2	VS-Locking clip	Steel	Zinc plated	Blue	6	
4	VS-Clip bolt	Stainless steel	-	-	5	
1	Hut Gland fitting Pg21	Brass	Nickel plated	-	4	
1	PG Gland fitting Pg21	Brass	Nickel plated	-	3	
1	HB Hood .24.Sto.1.21	Aluminium	Aluminium oxide	Black	2	
1	HB Hood .24.Sto.1.21	Aluminium	-	Grey	1	

ORDERING TEXT

HB-21.STO.1.21

HB-K-24.STO.1.21

HB-24.STO-VS.1.21

HB-24.STO-GR.1.21

HB-K-24.STO-GR.1.21

TYCO ELECTRONICS CORPORATION, ALL RIGHTS RESERVED. THIS DRAWING IS UNPUBLISHED. RELEASED FOR PUBLICATION 1999 BY TYCO ELECTRONICS CORPORATION, ALL RIGHTS RESERVED.

DW: Schneider 31.07.2000
 CW: Schneider 31.07.2000
 APVD: Schneider

TOLERANCES UNLESS OTHERWISE SPECIFIED:
 0 DIM: Mm±0.1
 1 PLC: ±0.1
 2 PLC: ±0.2
 3 PLC: ±0.3
 4 PLC: ±0.5
 ANGLES: ±0.5

DIMENSIONS: mm

MATERIAL: FINISH

PRODUCT SPEC: 108-74001
 108-74003
 APPLICATION SPEC: 114-74001
 114-74004

WEIGHT: -

CUSTOMER DRAWING

DW: Schneider 31.07.2000
 CW: Schneider 31.07.2000
 APVD: Schneider

NAME: Hood
 HB.24.STO.1.21

SIZE: A4
 CAGE CODE: 00779
 DRAWING NO: C=1102323

RESTRICTED TO: -

SCALE: 1:1 SHEET: 1 OF 1 REV: A4