

PLEASE CHECK WWW.MOLEX.COM FOR LATEST PART INFORMATION

Part Number: [62100-1300](#)
Status: **Active**
Description: Daughter Card Module Removal Tool

Documents:

[RoHS Certificate of Compliance \(PDF\)](#)

General

Product Family	Application Tooling
Series	T3002
Function	Deactivation
Geographic Area	Global
Level of Automation	Manual
Product Name	N/A
Survey	www.molex.com//review/apptool_survey.html
Tool Type	N/A
UPC	800753182462

Material Info

Reference - Drawing Numbers

Application Tooling Documents	621001399, 622009999
-------------------------------	----------------------

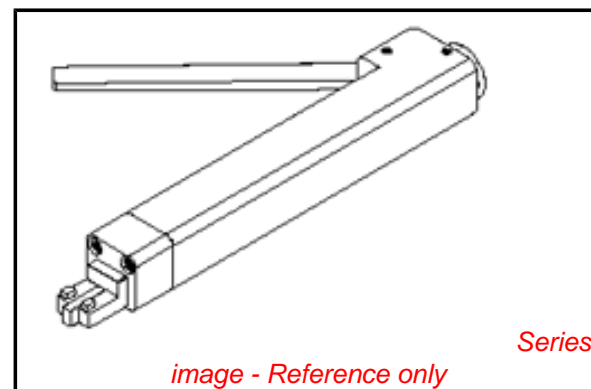


image - Reference only

EU RoHS	China RoHS
----------------	-------------------

Compliance Status

Not Reviewed

REACH SVHC

Not Reviewed

Low-Halogen Status

Not Reviewed

Need more information on product environmental compliance?

Email productcompliance@molex.com
 For a multiple part number RoHS Certificate of Compliance, [click here](#)

Please visit the [Contact Us](#) section for any non-product compliance questions.

Search Parts in this Series

[T3002Series](#)

PLEASE CHECK WWW.MOLEX.COM FOR LATEST PART INFORMATION