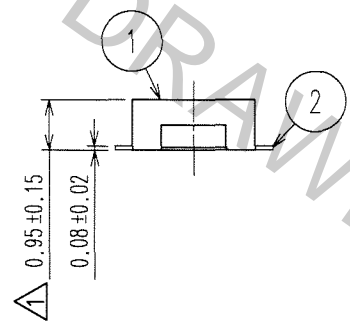
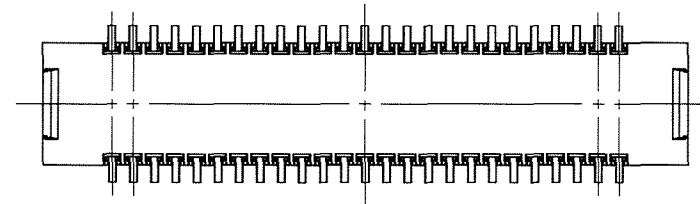
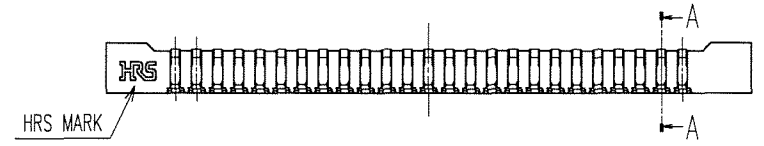
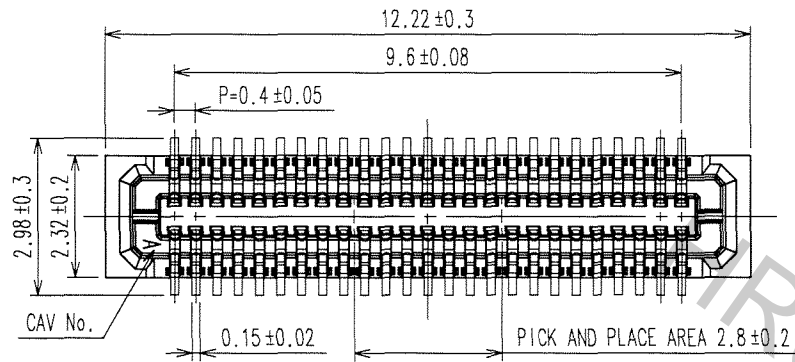
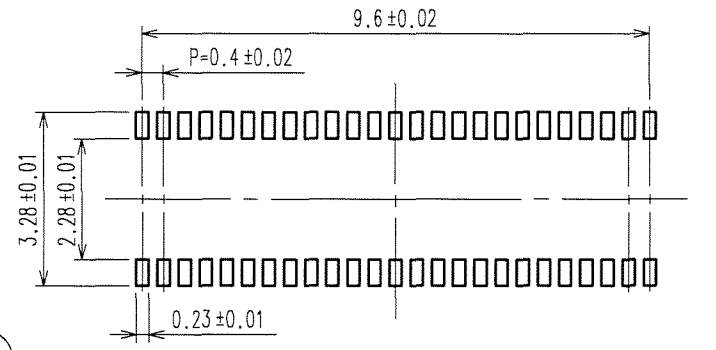


Apr.1.2017 Copyright 2017 HIROSE ELECTRIC CO., LTD. All Rights Reserved.

COUNT	DESCRIPTION OF REVISIONS	BY	CHKD	DATE	COUNT	DESCRIPTION OF REVISIONS	BY	CHKD	DATE
4	DIS-H-002764	R.S	K.M	08.01.29					

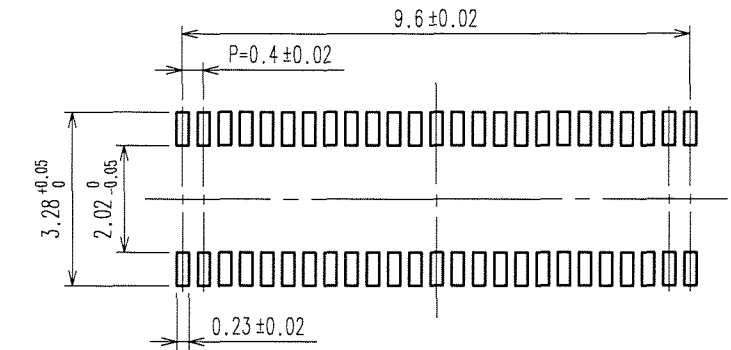


RECOMMENDED METAL MASK OPENING PATTERN

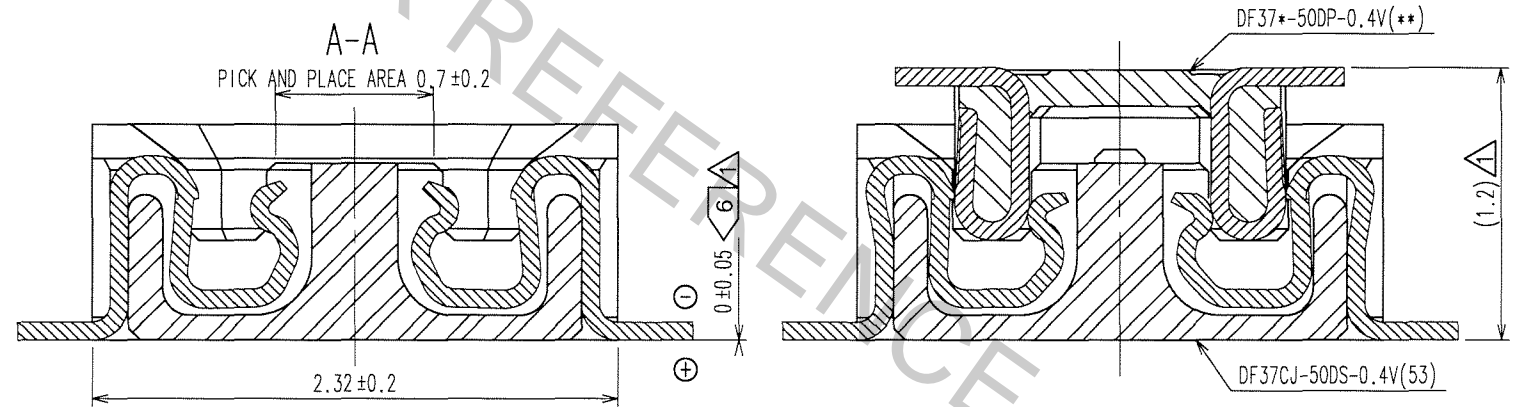


RECOMMENDED SOLDER PASTE: THICKNESS 120 μm

RECOMMENDED PATTERN



ENGAGEMENT FIGURE



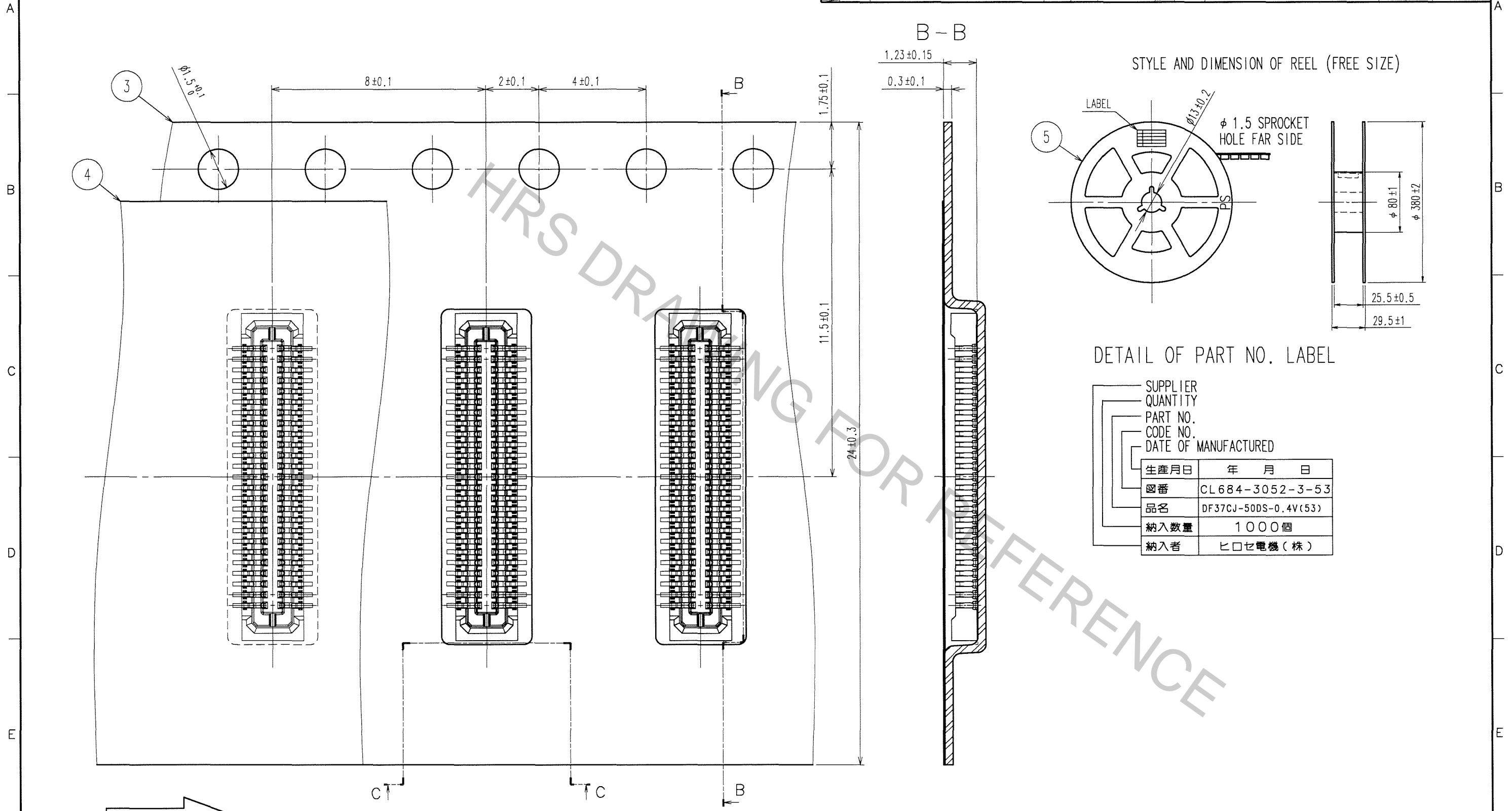
- NOTE 1. ALL LEADS CO-PLANARITY SHALL BE 0.1 MAX.  
 2. PER REEL : 1000 CONNECTORS.  
 3. AT THE BEGINNING OF THE REEL, 100 mm AT MIN SHALL BE EMPTY POCKETS.  
 AT THE END OF THE REEL, 160 mm AT MIN SHALL BE EMPTY.  
 4. CONTACT PLATING SPECIFICATIONS.  
 CONTACT AREA : GOLD 0.05 μm MIN.  
 SMT LEAD : GOLD 0.05 μm MIN.  
 UNDERPLATING : NICKEL 1 μm MIN.  
 (SURFACE : SEALING)  
 5. PEEL FORCE OF COVER TAPE REFERS TO JIS C 0806.  
 6. PROTRUSION OF CONTACT FROM HOUSING UNDERSIDE.

TO

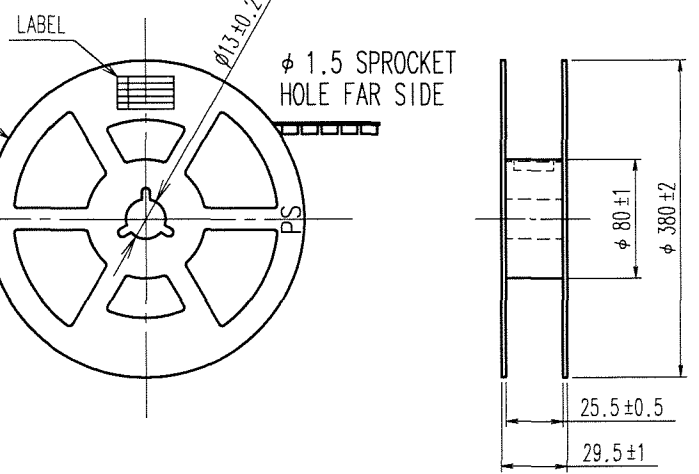
2	PHOSPHOR BRONZE	4	5	PS	PLASTIC REEL (BLACK)		
1	LCP	UL94V-0, BLACK	4	POLYESTER	CLEAR (COVER TAPE)		
			3	PS	CLEAR (EMBOSSED CARRIER TAPE)		
NO.	MATERIAL	FINISH, REMARKS	NO.	MATERIAL	FINISH, REMARKS		
CODE NO. (OLD)		DRAWN		DESIGNED	CHECKED	APPROVED	RELEASED
		N.Yamashiro		T.Ooi	K.Ikeda	M.Nakamura	
		'07.07.21		'07.07.21	'07.07.23	'07.07.23	
DRAWING NO. EDC3-313148-03			PART NO. DF37CJ-50DS-0.4V(53)				
SCALE FREE			CODE NO. CL684-3052-3-53				
UNITS mm			HRS HIROSE ELECTRIC CO., LTD				

Apr.1.2017 Copyright 2017 HIROSE ELECTRIC CO., LTD. All Rights Reserved.

COUNT	DESCRIPTION OF REVISIONS	BY	CHKD	DATE	COUNT	DESCRIPTION OF REVISIONS	BY	CHKD	DATE

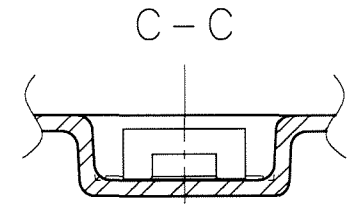
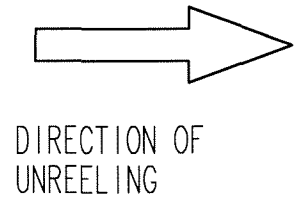


STYLE AND DIMENSION OF REEL (FREE SIZE)



DETAIL OF PART NO. LABEL

SUPPLIER	
QUANTITY	
PART NO.	
CODE NO.	
DATE OF MANUFACTURED	
生産月日	年 月 日
図番	CL684-3052-3-53
品名	DF37CJ-50DS-0.4V(53)
納入数量	1000個
納入者	ヒロセ電機(株)



TO

CODE NO. (OLD)	DRAWN	DESIGNED	CHECKED	APPROVED	RELEASED
	N.Yamashiro	T.Ooi	K.Ikeda	M.Nakamura	
	'07.07.21	'07.07.21	'07.07.23	'07.07.23	
DRAWING NO.	PART NO.				
EDC3-313148-03	DF37CJ-50DS-0.4V(53)				
SCALE	CODE NO.				
FREE: 1	CL684-3052-3-53				
UNITS					
mm	HRS HIROSE ELECTRIC CO., LTD				