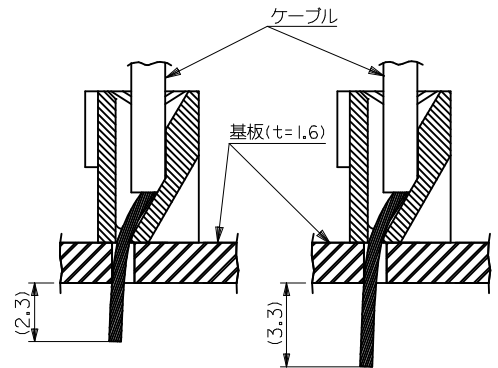
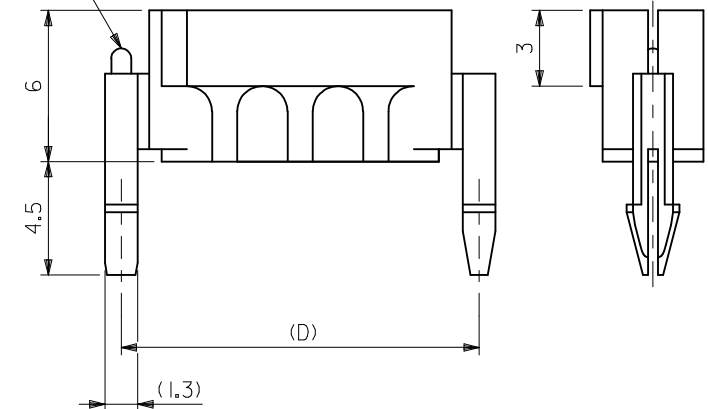


適合電線推奨寸法  
APPLICABLE WIRE RECOMMENDED DIM.

基板取付穴推奨寸法  
RECOMMENDED P.C. BOARD HOLE DIM.  
(t=1.6±0.05)

回路NO. 1側  
表示用突起  
CKT. NO.1  
EMBOSSED INDICATION



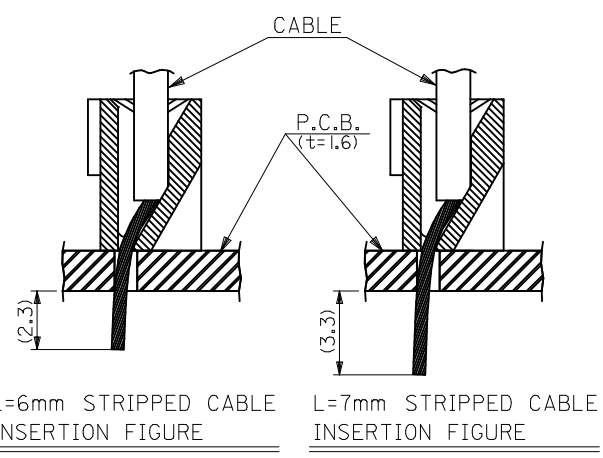
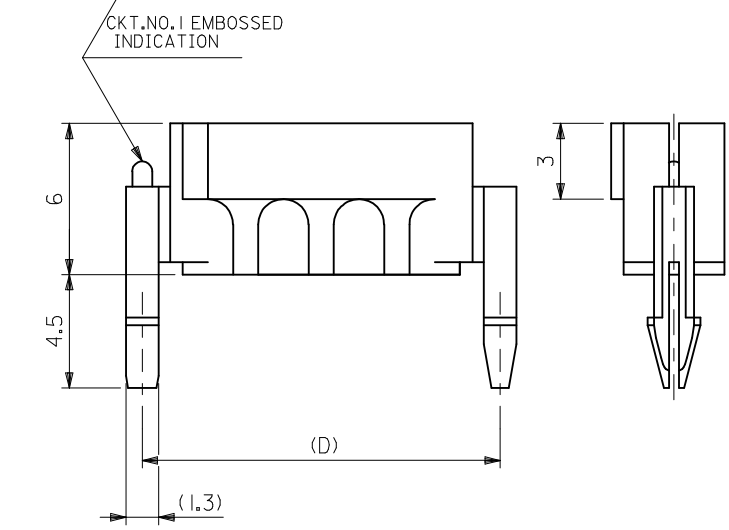
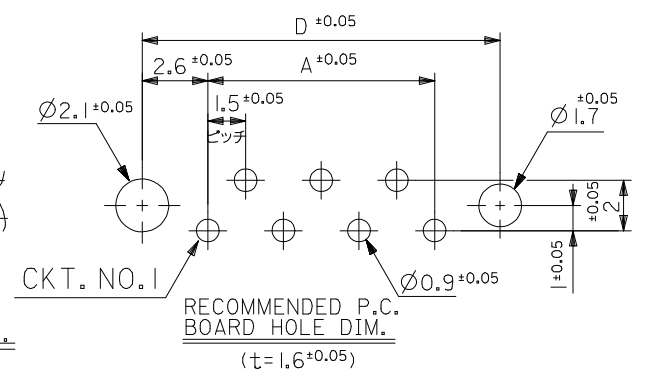
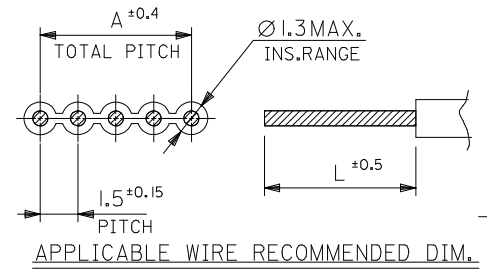
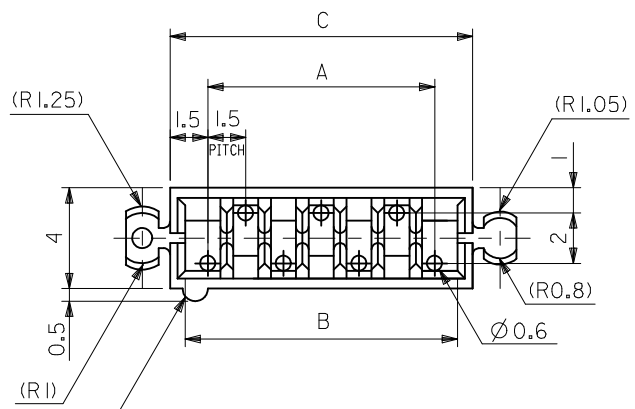
ストリップ長L=6mmのケーブルを挿入した場合  
L=6mm STRIPPED CABLE INSERTION FIGURE

ストリップ長L=7mmのケーブルを挿入した場合  
L=7mm STRIPPED CABLE INSERTION FIGURE

29.2	27	25.8	24	-1700	17
26.2	24	22.8	21	-1500	15
24.7	22.5	21.3	19.5	-1400	14
23.2	21	19.8	18	-1300	13
21.7	19.5	18.3	16.5	-1200	12
20.2	18	16.8	15	-1100	11
18.7	16.5	15.3	13.5	-1000	10
17.2	15	13.8	12	-0900	9
15.7	13.5	12.3	10.5	-0800	8
14.2	12	10.8	9	-0700	7
12.7	10.5	9.3	7.5	-0600	6
11.2	9	7.8	6	-0500	5
9.7	7.5	6.3	4.5	-0400	4
8.2	6	4.8	3	51016-0300	3
D	C	B	A	PLASTIC BAG	CIRCUIT
				ORDER No. オーダー番号	極数

- (注記)  
(NOTES)
- 材質:MATERIAL  
66ナイロン, UL 94V-2  
NYLON66, UL94V-2
  - 適用電線:APPLICABLE WIRE  
1. 5mmピッチリボンケーブル。  
1.5mm PITCH RIBON CABLE  
(UL 2468, AWG#26錫コート線)  
(UL2468, AWG26 TIN TOP COAT WIRE)

REVISED EC NO.: J2016-0744 G	DRWN: CHE31 2016/01/18	CHKD: SAKIYAMA 2016/01/18	APPR: IKANEKO 2016/01/27	DESCRIPTION	GENERAL TOLERANCES (UNLESS SPECIFIED)		DIMENSION STYLE MM ONLY		SCALE 5:1	DESIGN UNITS METRIC	THIRD ANGLE PROJECTION
	10 UNDER ±0.2		DRAWN BY C. ARIZONO		DATE '09/03/30	TITLE 1.5MM PITCH CABLE HOLDER(ST.)		MATERIAL NO. SD-51016-001		SHEET NO. 1 OF 1	
	10 OVER 30 UNDER ±0.25		CHECKED BY T. HARUYAMA		DATE '09/03/30	APPROVED BY N. UKITA		DOCUMENT NO.			
	30 OVER ±0.3		APPROVED BY N. UKITA		DATE '09/03/30	SIZE A3		THIS DRAWING CONTAINS INFORMATION THAT IS PROPRIETARY TO MOLEX INCORPORATED AND SHOULD NOT BE USED WITHOUT WRITTEN PERMISSION			
ANGULAR ±3 °					DRAFT WHERE APPLICABLE MUST REMAIN WITHIN DIMENSIONS						



29.2	27	25.8	24	51016-1700	17
26.2	24	22.8	21	-1500	15
24.7	22.5	21.3	19.5	-1400	14
23.2	21	19.8	18	-1300	13
21.7	19.5	18.3	16.5	-1200	12
20.2	18	16.8	15	-1100	11
18.7	16.5	15.3	13.5	-1000	10
17.2	15	13.8	12	-0900	9
15.7	13.5	12.3	10.5	-0800	8
14.2	12	10.8	9	-0700	7
12.7	10.5	9.3	7.5	-0600	6
11.2	9	7.8	6	-0500	5
9.7	7.5	6.3	4.5	-0400	4
8.2	6	4.8	3	51016-0300	3
D	C	B	A	PLASTIC BAG	CIRCUIT
				ORDER No. オーダー番号	極数

**NOTES**  
 1. MATERIAL:66NYLON,UL94V-2  
 2. APPLICABLE WIRE  
 1.5mm PITCH RIBBON CABLE  
 (UL2468,AWG#26 TIN TOP COAT WIRE)

REVISED EC NO: J2016-0744 DRWN:CHE31 2016/01/18 CHKD:SAKIYAMA 2016/01/18 APPR:KANAKO 2016/01/27	GENERAL TOLERANCES (UNLESS SPECIFIED)		DIMENSION STYLE MM ONLY		SCALE ---	DESIGN UNITS METRIC	THIRD ANGLE PROJECTION
	10 UNDER	±0.2	DRAWN BY C. ARIZONO	DATE '09/03/30	TITLE 1.5MM PITCH CABLE HOLDER (ST.)(ENGLISH)		
	10 OVER 30 UNDER	±0.25	CHECKED BY T. HARUYAMA	DATE '09/03/30	MOLEX INCORPORATED		
	30 OVER	±0.3	APPROVED BY N. UKITA	DATE '09/03/30	DOCUMENT NO. SD-51016-002		
REV	DESCRIPTION	ANGULAR ±3 °	MATERIAL NO.	SEE TABLE	SHEET NO. 1 OF 1		
		DRAFT WHERE APPLICABLE MUST REMAIN WITHIN DIMENSIONS	SIZE A3	THIS DRAWING CONTAINS INFORMATION THAT IS PROPRIETARY TO MOLEX INCORPORATED AND SHOULD NOT BE USED WITHOUT WRITTEN PERMISSION			