

A

B

C

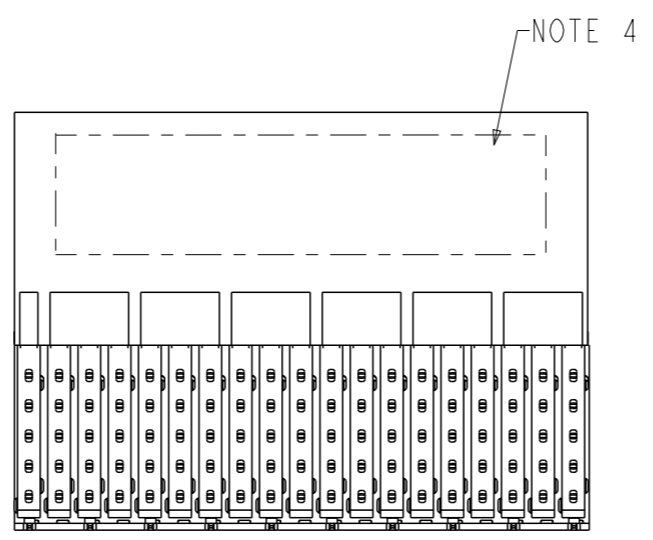
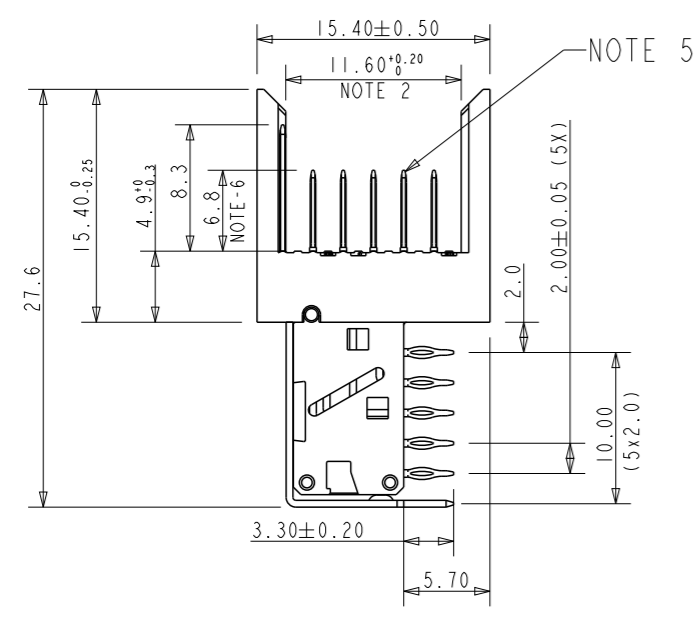
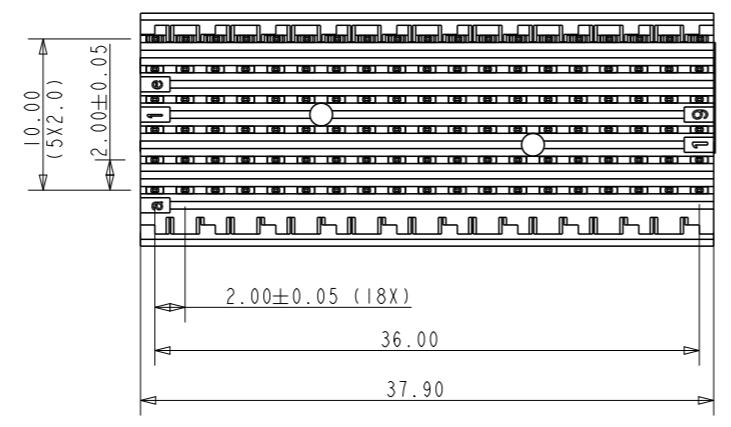
D

PERFORMANCE CHARACTERISTICS :

CURRENT RATING : 1.5A AT 20°C (FULLY LOADED)
 1A AT 70°C (FULLY LOADED)
 RATED VOLTAGE : 500V AC (CONT / CONT)
 OPERATING TEMPERATURE : -55°C TO 125°C
 CONTACT RESISTANCE : 25mΩ MAX.
 INSERTION FORCE : 0.75 N MAX / CONT
 EXTRACTION FORCE : 0.15 N MIN / CONT
 INSULATION RESISTANCE : 10⁴ MΩ MIN.

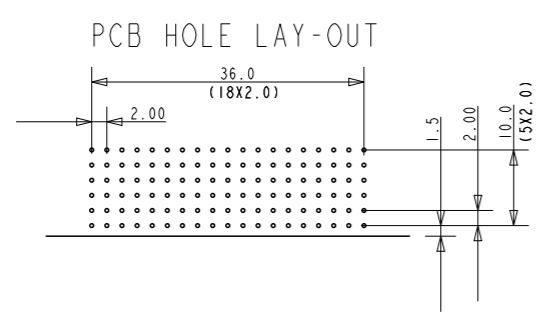
NOTES :

- UL APPROVED WITH USR AND CNR.
- MEASURED AT THE BOTTOM.
- MATERIAL CONTACT : PHOSPHORBRONZE.
HOUSING : LCP 30% GLASS-FILLED.
- CONNECTOR PRINTED WITH P/N AND DATE CODES.
- FOR ACTUAL CONTACT LOADINGS, SEE LOADING PATTERN MATING SIDE.)
- 4 = LEVEL 1 (5.30)
5 = LEVEL 2 (6.80)
6 = LEVEL 3 (8.30)
- 'HM2J71PEE128' LEAD FREE INDICATOR : LF = LEAD FREE
PERFORMANCE LEVEL INDICATOR (Ref DWG No BS,C ,201844,003)
- FOR RECOMMENDED PTH DIMENSIONS REFER DRAWING : BS,A ,201572,001
- THIS PRODUCT (LF) MEETS EUROPEAN UNION DIRECTIVES AND OTHER COUNTRY REGULATIONS AS DESCRIBED IN GS-22-008



LOADING PATTERN : MATING SIDE

F	6	6	6	6	6	6	6	6	6	6	6	6	6	6	6	6	6	6	
E	5	5	5	5	5	5	5	5	5	5	5	5	5	5	5	5	5	5	
D	5	5	5	5	5	5	5	5	5	5	5	5	5	5	5	5	5	5	
C	5	5	5	5	5	5	5	5	5	5	5	5	5	5	5	5	5	5	
B	5	5	5	5	5	5	5	5	5	5	5	5	5	5	5	5	5	5	
A	5	5	5	5	5	5	5	5	5	5	5	5	5	5	5	5	5	5	
Z	X	X	X	X	X	X	X	X	X	X	X	X	X	X	X	X	X	X	
	1	2	3	4	5	6	7	8	9	10	11	12	13	14	15	16	17	18	19



rev	ecn no	dr	date
A	105-0016	AB	2005-01-31
B	105-0108	AB	2005-06-23
C	106-0107	AB	2006-07-15
D	108-0050	AB	2008-04-24
E	110-0098	GT	2010-04-19
F	111-0044	GT	2011-02-28
-	-	-	-

www.fciconnect.com

surface ISO 1302 ✓ tolerance std ISO 406 ISO 1101 projection mm

TOLERANCES UNLESS OTHERWISE SPECIFIED

Dr	ALEX B	2005-01-03	ANGULAR	0.X	±0.2	size A3	Scale 1/1
Eng	BKP	2005-01-03	LINEAR	0.XX	±0.1	ECN 111-0044	
Chr	Alex Babu	2008-04-24	0° ±1°	0.XXX	±0.05	Spec ref -	
Appr	Alex Babu	2008-04-24	Product family	MILLIPACS			

MPACS RA HDR
type B (19POS), shielded

catalog no HM2J71PEE128----

dwg no BSC202767029

Rev. F

CUSTOMER COPY sheet 1 of 1



Copyright FCI.