

4

3

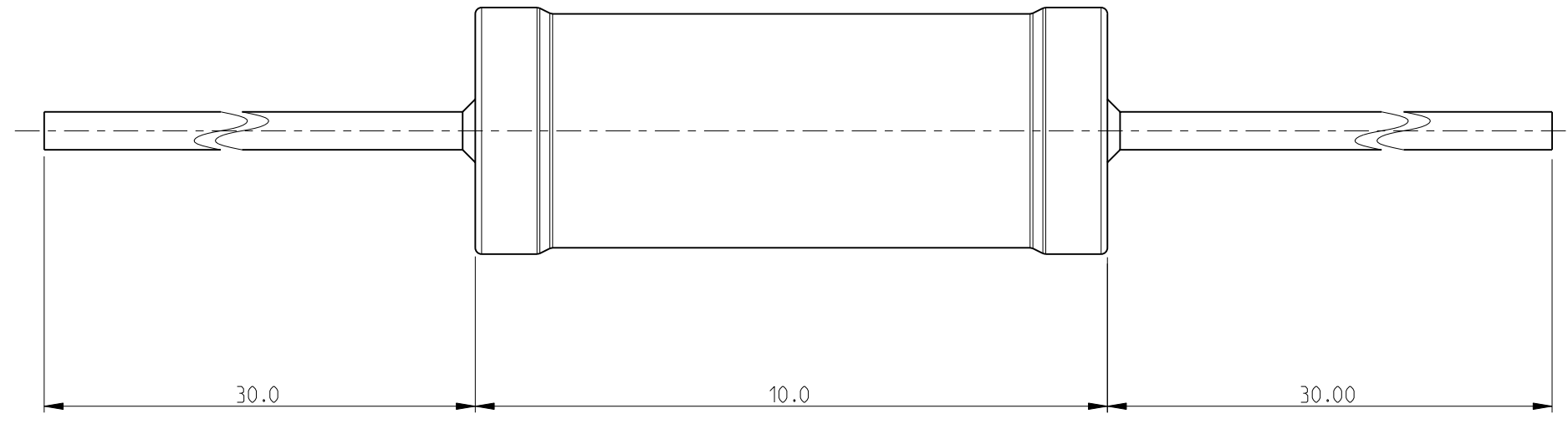
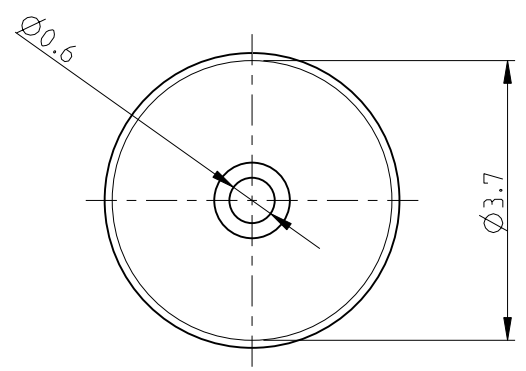
2

1

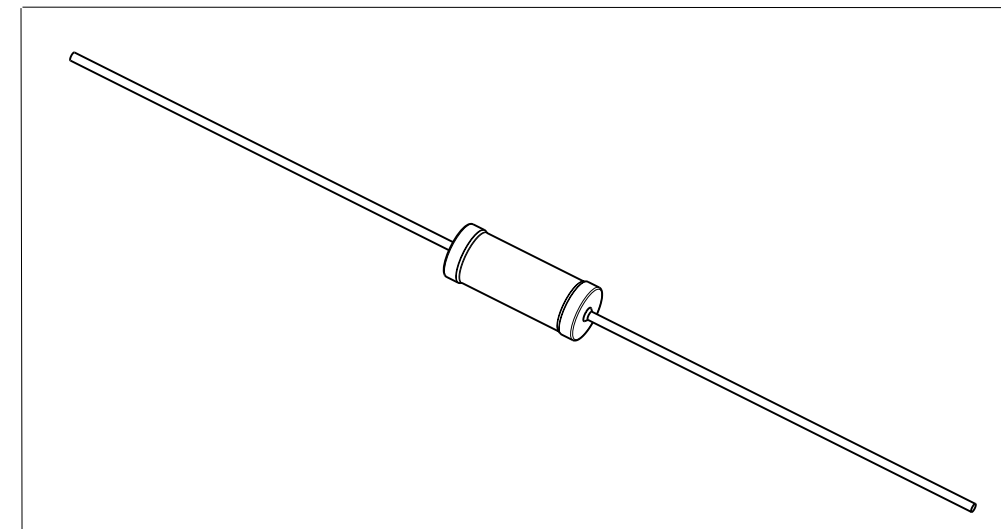
THIS DRAWING IS UNPUBLISHED. RELEASED FOR PUBLICATION 2009
 © COPYRIGHT 2009 BY TYCO ELECTRONICS CORPORATION. ALL RIGHTS RESERVED.

LOC	DIST	REVISIONS			
P	LTR	DESCRIPTION	DATE	DWN	APVD
E	B	BA	NEW RELEASE	25JUNE2010	PT St.P

FOR FURTHER INFORMATION SEE DATA SHEET FOR
 SERIES HOLCO, AXIAL LEADED PRECISION RESISTORS



RoHS Compliant



THIS DRAWING IS A CONTROLLED DOCUMENT FOR TYCO ELECTRONICS CORPORATION
 IT IS SUBJECT TO CHANGE AND THE CONTROLLING ENGINEERING ORGANIZATION
 SHOULD BE CONTACTED FOR THE LATEST REVISION.

DIMENSIONS: mm		TOLERANCES UNLESS OTHERWISE SPECIFIED:	
	0 PLC	± 0.2	
	1 PLC	± 0.1	
	2 PLC	$\pm -$	
	3 PLC	$\pm -$	
	4 PLC	$\pm -$	
	ANGLES	$\pm 5^\circ$	
MATERIAL	-	FINISH	-

DWN	25JUNE2010
PARUSURAM.T	
CHK	25JUNE2010
ALLAN.P	
APVD	25JUNE2010
STEPHEN.P	
PRODUCT SPEC	-
APPLICATION SPEC	-
WEIGHT	-
CUSTOMER DRAWING	

Tyco Electronics Corporation Dorcan, Swindon, SN3 5HH		NAME AXIAL LEADED PRECISION RESISTORS SERIES HOLCO H4	
SIZE	CAGE CODE	DRAWING NO	RESTRICTED TO
A3	00779	C=1879669	-
SCALE 10:1		SHEET 1 OF 1	REV BA