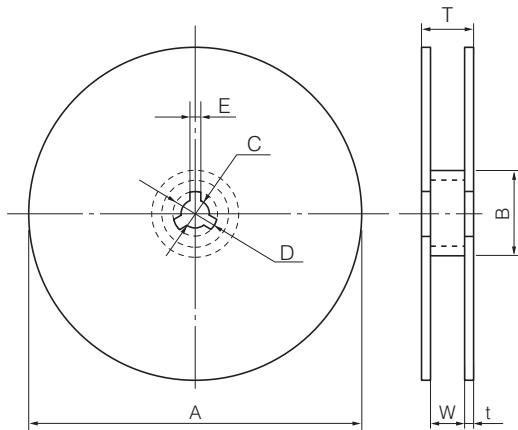


## Packaging Methods

### ● Standard Packing Quantity

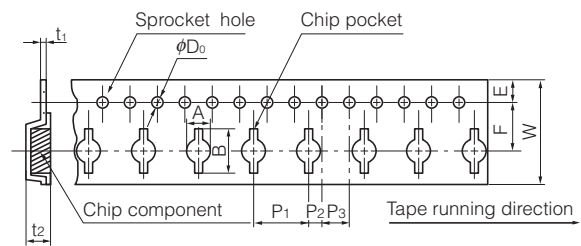
| Packaging | ELT3KN     | Kind of Taping          |
|-----------|------------|-------------------------|
| B         | 1,000 pcs. | Embossed Carrier Taping |
| C         | 5,000 pcs. |                         |

### ● Reel Dimensions in mm (not to scale)



| Packaging | A   | B  | C  | D  | E | W  | t   | T    |
|-----------|-----|----|----|----|---|----|-----|------|
| B         | 180 | 60 | 13 | 21 | 2 | 13 | 1.1 | 15.2 |
| C         | 370 | 60 | 13 | 21 | 2 | 14 | 2.0 | 18   |

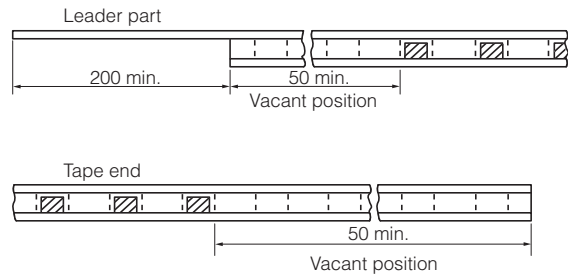
### ● Embossed Carrier Tape Dimensions in mm (not to scale)



| Part No. | A   | B   | W    | F   | E    | $P_1$ |
|----------|-----|-----|------|-----|------|-------|
| ELT3KN   | 3.7 | 6.4 | 12.0 | 5.5 | 1.75 | 8.0   |

| Part No. | $P_2$ | $P_3$ | $\phi D_0$ | $t_1$ | $t_2$ |
|----------|-------|-------|------------|-------|-------|
| ELT3KN   | 2.0   | 4.0   | 1.5        | 0.3   | 2.6   |

### ● Leader Part, Vacant Position



## Applied Diagram Examples

