

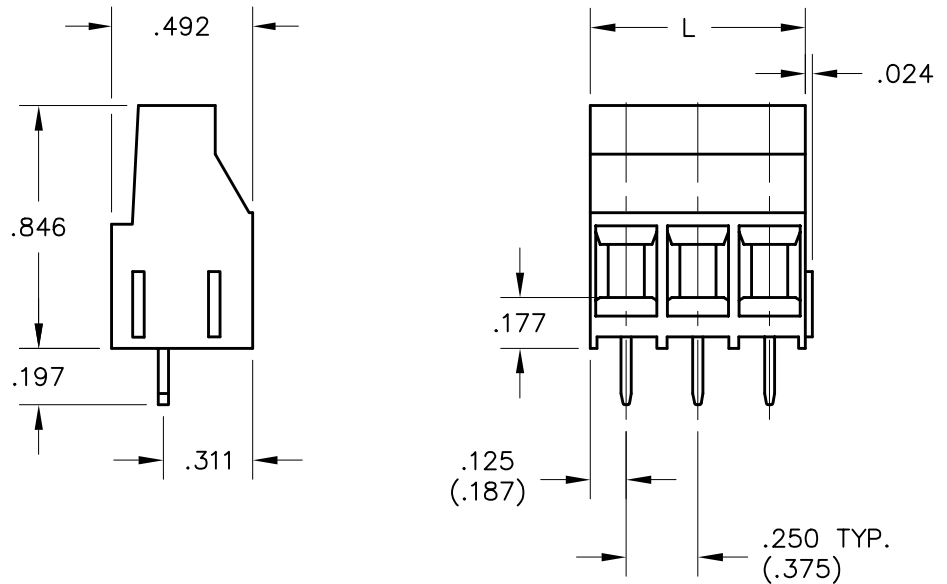
REV	ECN	APPD
-	4785	

L=PITCH X POSITIONS

NOTES:

1 PARTS GREATER THAN 3 POSITIONS ASSEMBLED WITH APPROPRIATE COMBINATIONS OF 2 AND 3 POSITION MODULES. (3 POSITION MODULE SHOWN)

2 9.52MM PITCH DIMENSIONS INDICATED IN PARENTHESES.



ESPMXXX00

1 NUMBER OF POSITIONS

2 PITCH:  
1=.250[6.35MM]  
2=.375[9.52MM]

**UL**  
RATINGS  
CURRENT - 30A  
VOLTAGE - 300V(600V)  
U.L. FILE NO.

**SA**  
RATINGS  
CURRENT - 32A  
VOLTAGE - 450V(600V)  
CSA FILE NO.

DIN VDE 0627:1986  
DIN VDE 0110-1:1989  
EN 60947-1:1991  
EN 60947-7-1:1992  
  
CURRENT - 32A  
VOLTAGE - 450V(750V)  
TUV FILE NO.

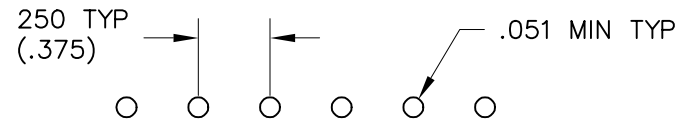
**INSTALLATION RECOMMENDATIONS**

WIRE RANGE: 10-30 AWG  
WIRE STRIP LENGTH: .280-.310  
TIGHTENING TORQUE: 7.1 LB-IN.

**MATERIALS**

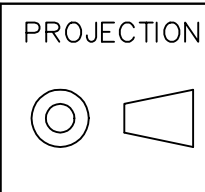
HOUSING: POLYAMIDE 6,6, COLOR: BLACK  
CONTACT: COPPER ALLOY, TIN PLATED  
SCREW / CAGE CLAMP: COPPER ALLOY, NICKEL PLATED

OPERATING TEMPERATURE RANGE: -40°C TO 110°C  
RECOMMENDED PCB THICKNESS: .157" MAX

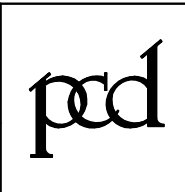


DIMENSIONS  
ANSI Y14.5M  
UNITS: INCHES  
ACAD FILE

TOLERANCES  
.XX ±.01  
.XXX ±.005  
ANGLES ±2°



**SPECIFICATION DRAWING**  
ENGR  
B. JAWORSKI 11/1/01  
CHKD  
APPD



TITLE  
ESPM TERMINAL BLOCK  
POWER BLOCK  
.250/.375 PITCH

ORIGINAL STAMPED IN RED

THIS DOCUMENT CONTAINS PROPRIETARY INFORMATION WHICH IS THE CONFIDENTIAL PROPERTY OF PCD, INC. PEABODY, MA, USA

SIZE  
A

DWG NO.  
**ESPM02100**

REV  
-