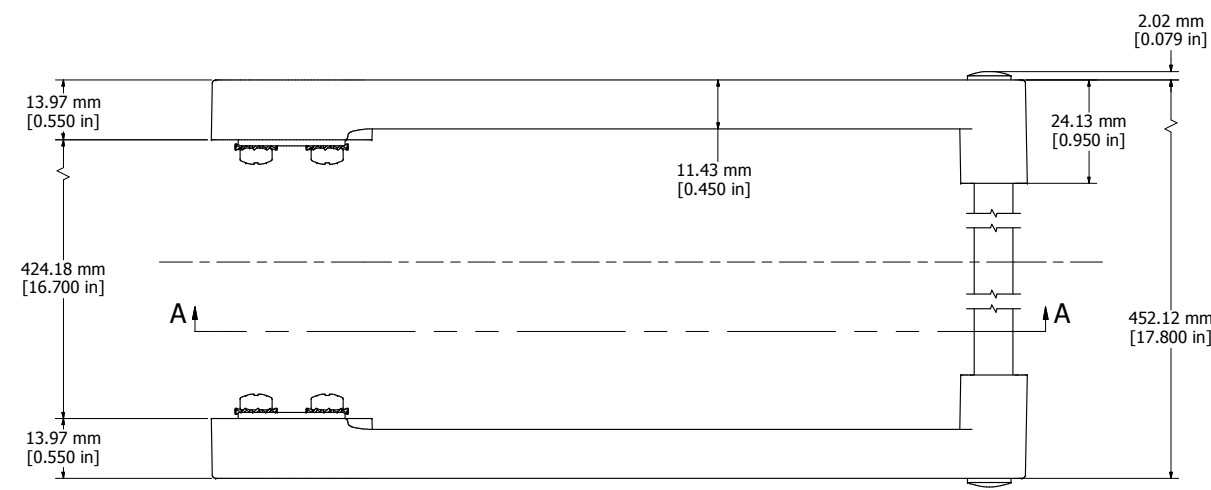
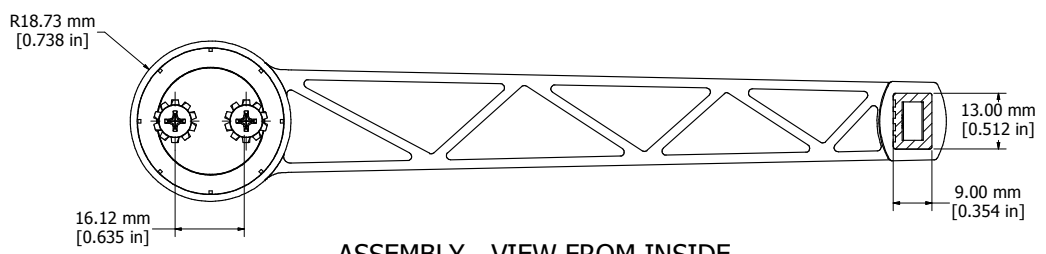


ASSEMBLY - VIEW FROM OUTSIDE

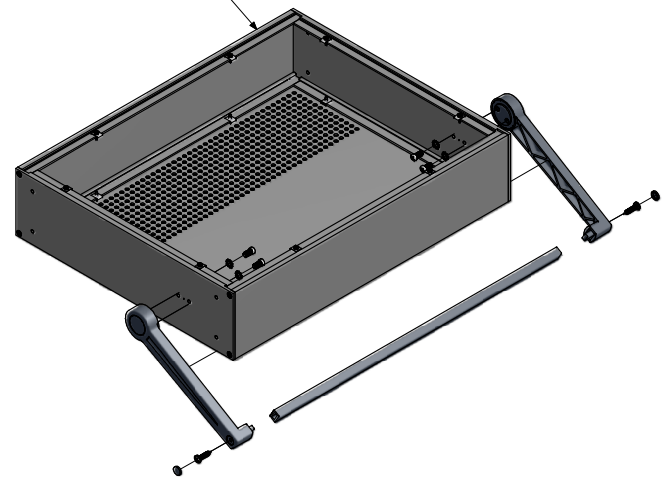


ASSEMBLY - VIEW FROM TOP



ASSEMBLY - VIEW FROM INSIDE  
(SECTION A-A)

TYPICAL INSTALLATION  
(ENCLOSURE NOT INCLUDED)



EXPLODED VIEW

**1427BAILKIT2**

- Bails - Black Polycarbonate (2x)
- Handle - Black Anodized Aluminum Extrusion
- Hardware**
- 2 - #8 x 3/4" AB Type Screws
- 2 - Black Cap Covers
- 4 - M5 x 10 Screws
- 4 - M5 Locktooth Washer

**HAMMOND  
MANUFACTURING™**  
**1427BAILKIT2**  
www.hammondmfg.com