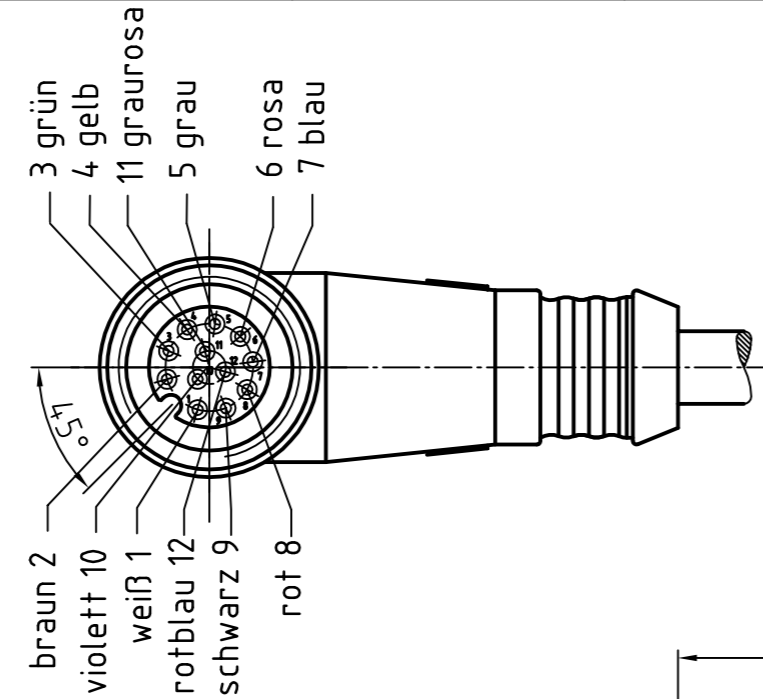
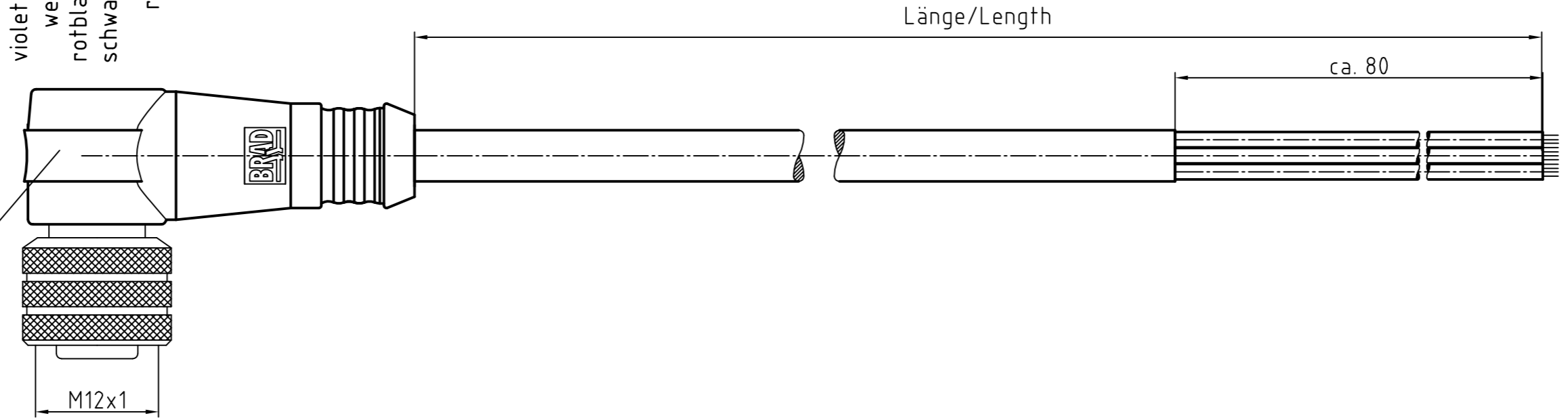


Mating Side
Female Cable Connector/
Steckseite
Kabeldose
12-Pol



Overmold PUR see Table
Umspritzung PUR siehe Tabelle



Allgemeine Kennwerte General Characteristics		Norm Standard		
Polzahl Kontaktanordnung	Number of contacts Contact configuration	IEC 947-5-2	12	
Bemessungsspannung	Rated Voltage	IEC 664	30V AC / DC	
Verschmutzungsgrad	Pollution Degree	IEC 664	3	
Betriebstrom	Current carrying capacity	IEC 512-3 Test 5 b	1,5A	
Durchgangswiderstand	Contact Resistance	IEC 512-2 Test 2 a	< 5mOhm	
Bemessungsstoßspannung	Rated Impulse Withstand Voltage	IEC 664	0,8 kV	
Prüfspannung	Test Voltage	IEC 60512-2 Test 4 A	0,5 kV / 60 sec	
Isolationswiderstand	Insulation Resistance	IEC 512-2 Test 3 A	> 10 GOhm	
IP-Schutzart	IP Degree of Protection	IEC 529	IP 67	
Stiftdurchmesser	Pin Diameter		0,6 mm	
Werkstoffe	Kontakte	Materials	Contacts	Kupferlegierung / copper alloy
	Kontaktfläche		Contacts Plating	Au/Ni
	Kontaktträger		Dielectric Material	PUR
	Gehäuse (Umspritzung)		Housing (Overmold)	PUR
	Dichtung (O-Ring)		Gaskets (O-Ring)	VITON
	Schraubhülse		Screw Sleeve	CuZn (brass) mit Ni-Oberfläche Nickel Plated
Anschlussart	Termination		Crimp	
Brennbarkeit	Kontaktträger	Flammfähigkeit	Inserts	UL 94
	Gehäuse (Umspritzung)		Housing (Overmold)	HB
	Leitung / Kabel		Cable	DIN EN265-2-1/UL1581-VW1-Page 95A
Mechanische Lebensdauer	Mechanical Operation			100 Steckzyklen/Mating Cycles
Temperaturbereich	Temperature Range	IEC 60668-1		-25°C / +90°C

SAP-Nummer	Engineering Nr.:	Umspritzungsfarbe	Länge
SAP-Nummer	Engineering Nr.:	Overmold Color	Length
1200655099	80C001H45M020	yellow	2M
1200655100	80C001H45M040	yellow	4M
1200655101	80C001H45M050	yellow	5M
1200655102	80C001H45M060	yellow	6M
1200655103	80C001H45M100	yellow	10M
1200655104	80C001H45M020G	black	2M
1200655105	80C001H45M040G	black	4M
1200655106	80C001H45M050G	black	5M
1200655107	80C001H45M060G	black	6M
1200655108	80C001H45M100G	black	10M

(...) Dim. for information
(...) Informationsmaß

BU/ BLUE WH/WHITE GN/ GREEN GY/ GREY PK/ PINK YE/ YELLOW RD/ RED BK/ BLACK VT/ VIOLET BN/ BROWN	bl/blau ws/weiß gn/ grün gr/ grau rs/ rosa ge/ gelb rt/ rot sw/schwarz vi/ violett bn/ braun
--	---

DESCRIPTION EC NO: WEU2009-0137 DRWN: LSTEMMLE 2008/10/07 CHKD: LS 2008/11/06 APPR: USAEUFFE 2008/11/26	QUALITY SYMBOLS	GENERAL TOLERANCES (UNLESS SPECIFIED)	DIMENSION STYLE	SCALE	DESIGN UNITS	FIRST ANGLE PROJECTION																
	<p>▽ = 0</p> <p>∇ = 0</p>	<table border="1"> <tr> <th colspan="2">mm</th> <th>INCH</th> </tr> <tr> <td>4 PLACES</td> <td>±----</td> <td>±----</td> </tr> <tr> <td>3 PLACES</td> <td>±---</td> <td>±----</td> </tr> <tr> <td>2 PLACES</td> <td>±0.05</td> <td>±----</td> </tr> <tr> <td>1 PLACE</td> <td>±0.10</td> <td>±----</td> </tr> <tr> <td colspan="3">ANGULAR ± --- °</td> </tr> </table>	mm		INCH		4 PLACES	±----	±----	3 PLACES	±---	±----	2 PLACES	±0.05	±----	1 PLACE	±0.10	±----	ANGULAR ± --- °			MM
mm		INCH																				
4 PLACES	±----	±----																				
3 PLACES	±---	±----																				
2 PLACES	±0.05	±----																				
1 PLACE	±0.10	±----																				
ANGULAR ± --- °																						
REV 2	DRAFT WHERE APPLICABLE MUST REMAIN WITHIN DIMENSIONS	<table border="1"> <tr> <td>DRAWN BY</td> <td>DATE</td> </tr> <tr> <td>LS</td> <td>2008/10/07</td> </tr> <tr> <td>CHECKED BY</td> <td>DATE</td> </tr> <tr> <td>US</td> <td>2008/11/06</td> </tr> <tr> <td>APPROVED BY</td> <td>DATE</td> </tr> <tr> <td>---</td> <td>---</td> </tr> </table>	DRAWN BY	DATE	LS	2008/10/07	CHECKED BY	DATE	US	2008/11/06	APPROVED BY	DATE	---	---	<p>M12-12P-BU-W-PUR-XM</p> <p>-----</p> <p>-----</p>		<p>MOLEX INCORPORATED</p>					
DRAWN BY	DATE																					
LS	2008/10/07																					
CHECKED BY	DATE																					
US	2008/11/06																					
APPROVED BY	DATE																					
---	---																					
	<table border="1"> <tr> <td>MATERIAL NO.</td> <td>DOCUMENT NO.</td> <td>SHEET NO.</td> </tr> <tr> <td>see table</td> <td>SD-80C001H45MXXX</td> <td>1 OF 1</td> </tr> </table>	MATERIAL NO.	DOCUMENT NO.	SHEET NO.	see table	SD-80C001H45MXXX	1 OF 1	<p>THIS DRAWING CONTAINS INFORMATION THAT IS PROPRIETARY TO MOLEX INCORPORATED AND SHOULD NOT BE USED WITHOUT WRITTEN PERMISSION</p>														
MATERIAL NO.	DOCUMENT NO.	SHEET NO.																				
see table	SD-80C001H45MXXX	1 OF 1																				