

**NOTES:**

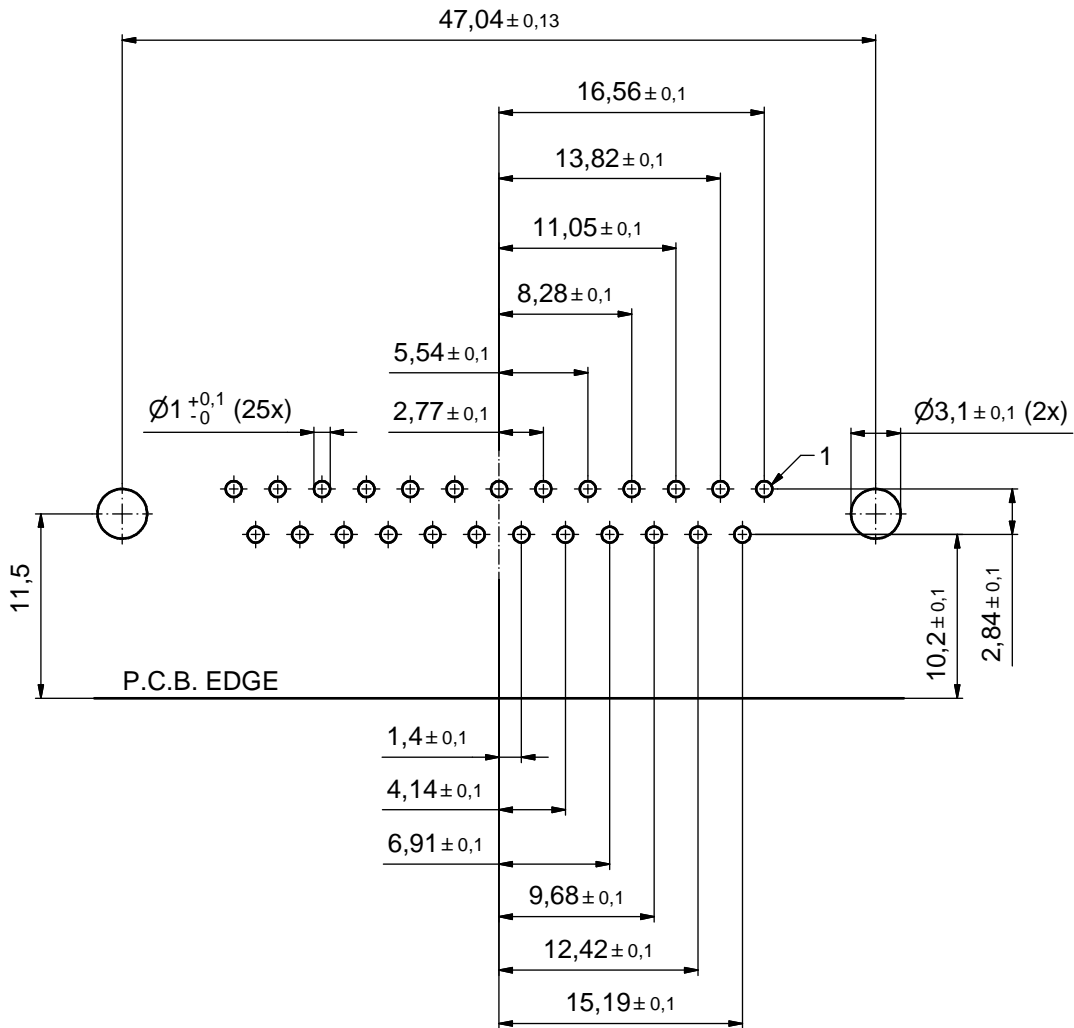
1. FOR WAVE SOLDERING (SOLDER BATH TEMPERATURE 260°C FOR 5 SEC AND SOLDER PREHEAT 100°C FOR 30 SEC.)
2. METALSHELLS: STEEL; min. 315µin TIN over 40-80µin NICKEL
3. INSULATOR: HIGH TEMPERATURE PLASTIC UL 94 V-0, BLACK
4. CONTACTS: COPPER ALLOY; PLATING (SEE PART.):  
 PLEASE ADD A for GOLD FLASH over NICKEL (PREFERRED TYPE)  
 PLEASE ADD B for 20µin HARD GOLD over min. 50µin NICKEL  
 PLEASE ADD C for 30µin HARD GOLD over min. 50µin NICKEL  
 CONTACT TAILS PRETINNED
5. MOUNTING BRACKET: HIGH TEMPERATURE PLASTIC UL 94 V-0; BLACK
6. RIVETED INSERTS: COPPER ALLOY; min. 200µin TIN over 80µin NICKEL
7. GROUNDING BRACKETS: COPPER ALLOY; TIN PLATED
8. CAPACITANCE: 830pF±20%
9. DIELECTRIC WITHSTANDING VOLTAGE: 424 VDC
10. P.B.C. HOLE DRILLINGS ON SHEET 2
11. CONNECTOR IS PART MARKED: 242□11070X CONEC ABC (see note 4)

RoHS compliant

THIS DRAWING MAY NOT BE COPIED OR REPRODUCED IN ANY WAY, AND MAY NOT BE PASSED ON TO A THIRD PARTY WITHOUT WRITTEN PERMISSION. OWNERSHIP AND COPYRIGHT OF CONEC GmbH DO NOT ALTER CAD DRAWING BY HAND	tolerance		dim. in mm		scale: 2:1 (5:1)	
					material: SEE NOTES	
	date	name	title:			
	drawn 23.09.2015	Heinrich	D-SUB C-FILTER FEMALE 90°			
	appd. 23.09.2015	Lehmenkühler	25pos. SOLDER PIN ANGLED 0.370inch with riveted insert, mounting bracket, grounding bracket			
norm		dwg no:		DIN-A3		
d-old				sh: 1/2		
a	Original			24K1A1632		
rev.	description			part no: 242□11070X (see note 5)		

# P.C.B. HOLE DRILLINGS

(P.C.B. TOP SIDE)



THIS DRAWING MAY NOT BE COPIED OR REPRODUCED IN ANY WAY, AND MAY NOT BE PASSED ON TO A THIRD PARTY WITHOUT WRITTEN PERMISSION. OWNERSHIP AND COPYRIGHT OF CONEC GmbH DO NOT ALTER CAD DRAWING BY HAND				tolerance	 dim. in mm	scale: 3:1	
				date		name	material: SEE SHEET 1
				drawn	23.09.2015	Heinrich	title: <b>P.C.B. HOLE DRILLINGS</b> D-SUB C-FILTER FEMALE 90°, 25pos. 0.370inch with riveted insert, mounting brack, grounding clip
				appd.	23.09.2015	Lehmenkühler	
				norm			
				d-old			
	a	Original					dwg no: 24K1A1632
	rev.	description	date				name
							DIN-A3
							sh: 2/2