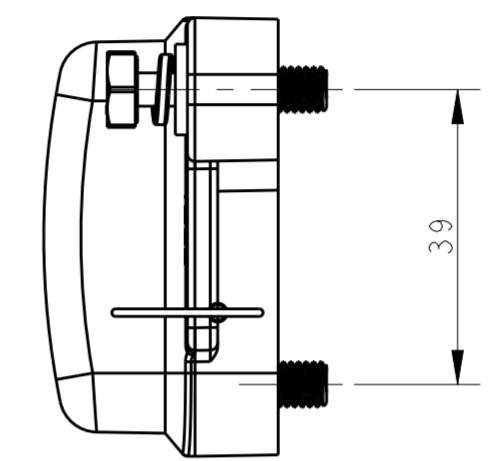
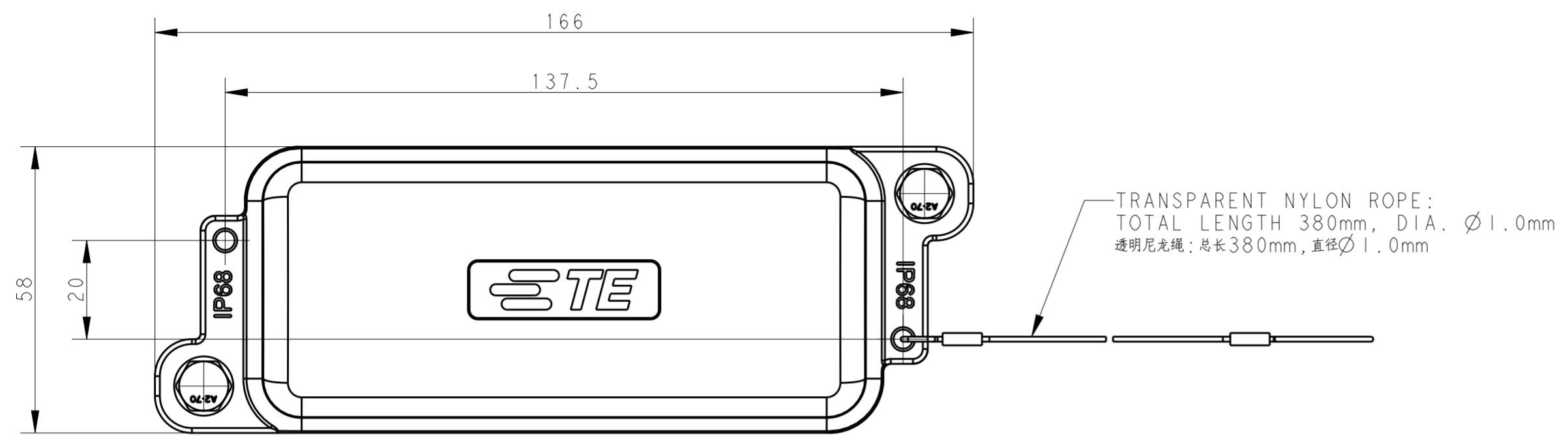
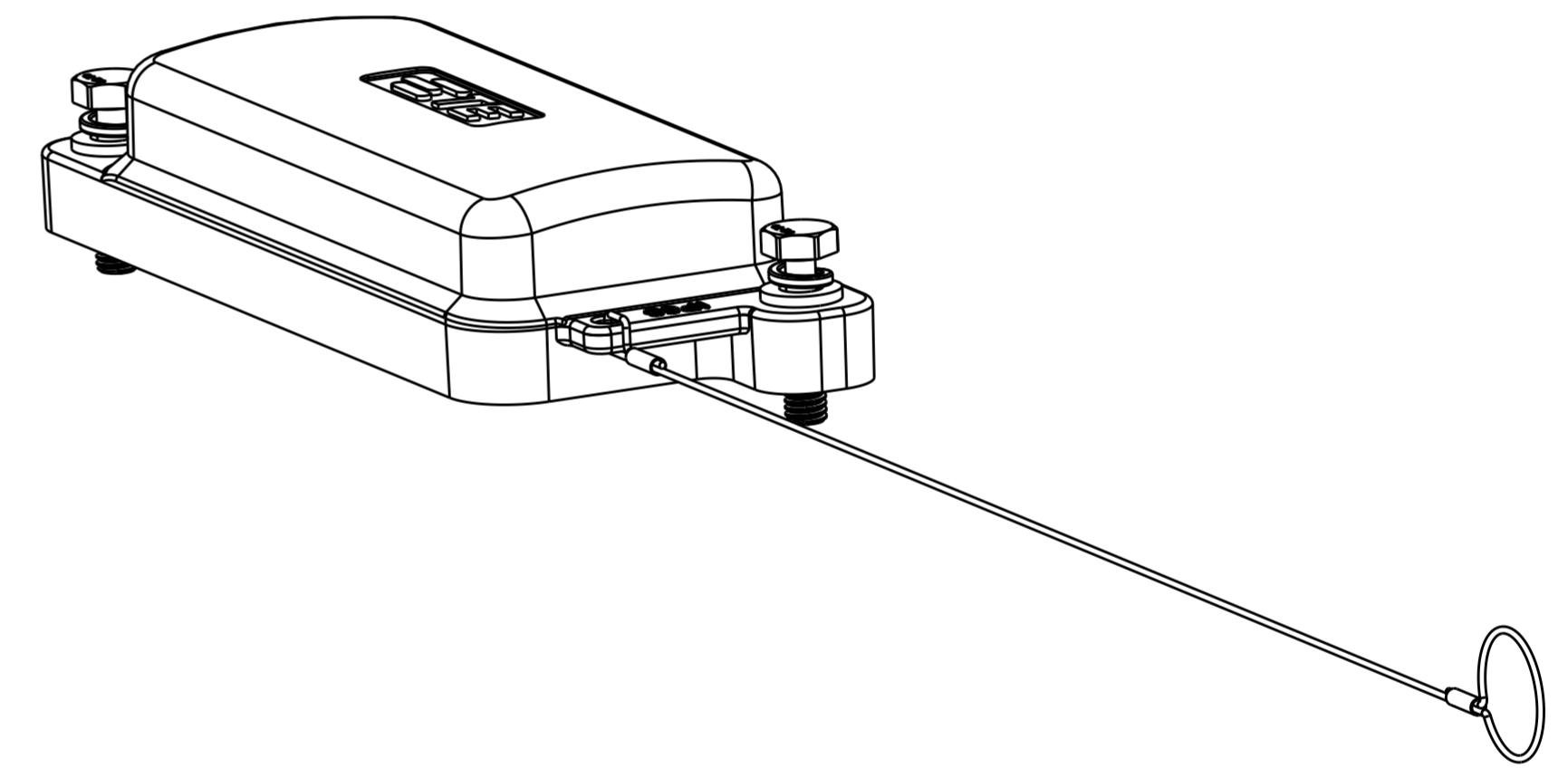
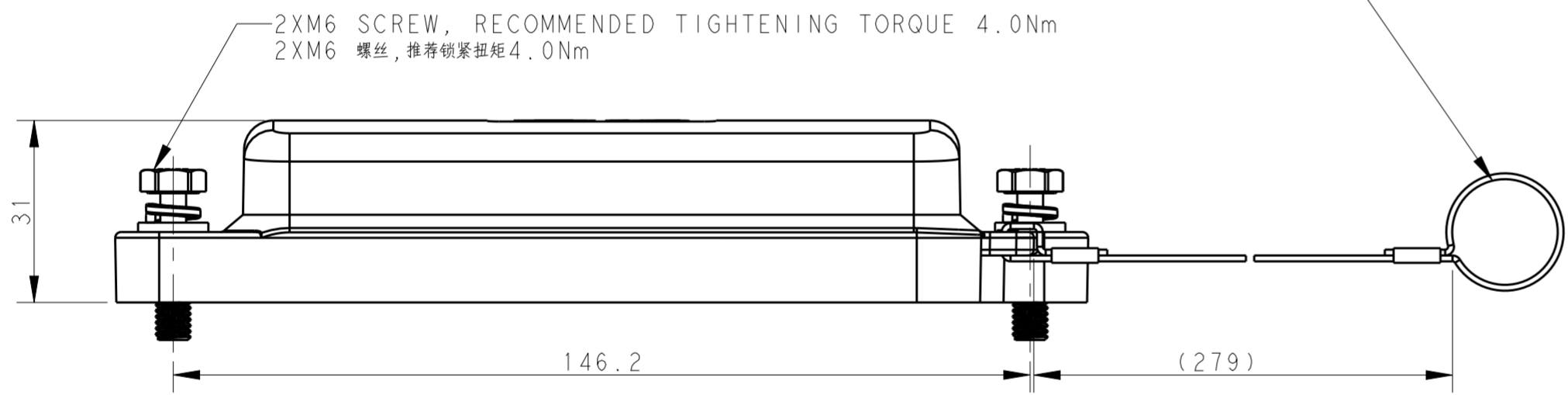


THIS DRAWING IS UNPUBLISHED. RELEASED FOR PUBLICATION 20
 © COPYRIGHT 20 BY - ALL RIGHTS RESERVED.

| REVISIONS | | | | |
|-----------|-----|-----------------|-----------|-------|
| P | LTR | DESCRIPTION | DATE | APVD |
| A | | INITIAL RELEASE | 22OCT2016 | DW CW |
| A1 | | ECR-17-008404 | 10JUN2017 | CH CW |
| A2 | | ECR-18-004494 | 23MAR2018 | DW CW |



LOOP SIZE DEFAULT VALUE DIA. Ø18,
 UNLESS HAVE SPECIAL REQUIREMENT.
 套圈大小默认值直径是Ø18, 除非有特别要求.



NOTES:
 1. TECHNICAL CHARACTERISTICS:
 COVER MATERIAL: DIE CAST ALUMINIUM ALLOY
 SURFACE TREATMENT: SEE TABLE

注释
 1. 技术参数:
 壳体材料: 铝合金
 表面处理: 见表格

| | | |
|-------------------|------------------------|---|
| T1990161000-009 | HI6BPR-KDBM-EMC-C | HI6BPR HOUSING METAL PROTECTION COVER, DIAGONAL LOCKING, NYLON ROPE, POWDER COATED, SILVER WHITE HI6BPR对角锁定金属保护盖, 尼龙绳, 银白色粉末喷涂 |
| T1990160000-009 | HI6BPR-KDBM-EMC-C | HI6BPR HOUSING METAL PROTECTION COVER, DIAGONAL LOCKING, NYLON ROPE, POWDER COATED, BLACK HI6BPR对角锁定金属保护盖, 尼龙绳, 黑色粉末喷涂 |
| PART NUMBER 料号 | PART DESCRIPTION 描述 | |

| | | | | | | | | | | | | | | | | | | |
|---|---|--------------------------|------------------------------|--------------|---|-------|---|-------|---|-------|---|--------|---|--------|---|--------------|------------------------|--|
| THIS DRAWING IS A CONTROLLED DOCUMENT. | | DWN DAVID.WANG 22OCT2016 | TE Connectivity | | | | | | | | | | | | | | | |
| DIMENSIONS: mm | | CHK CHRIS.WANG 22OCT2016 | | | | | | | | | | | | | | | | |
| TOLERANCES UNLESS OTHERWISE SPECIFIED: | | APVD XIANG.XU 22OCT2016 | | | | | | | | | | | | | | | | |
| <table border="1"> <tr><td>0 PLC</td><td>±</td></tr> <tr><td>1 PLC</td><td>±</td></tr> <tr><td>2 PLC</td><td>±</td></tr> <tr><td>3 PLC</td><td>±</td></tr> <tr><td>4 PLC</td><td>±</td></tr> <tr><td>ANGLES</td><td>±</td></tr> <tr><td>FINISH</td><td>±</td></tr> </table> | | 0 PLC | ± | 1 PLC | ± | 2 PLC | ± | 3 PLC | ± | 4 PLC | ± | ANGLES | ± | FINISH | ± | PRODUCT SPEC | NAME HI6BPR-KDBM-EMC-C | |
| 0 PLC | ± | | | | | | | | | | | | | | | | | |
| 1 PLC | ± | | | | | | | | | | | | | | | | | |
| 2 PLC | ± | | | | | | | | | | | | | | | | | |
| 3 PLC | ± | | | | | | | | | | | | | | | | | |
| 4 PLC | ± | | | | | | | | | | | | | | | | | |
| ANGLES | ± | | | | | | | | | | | | | | | | | |
| FINISH | ± | | | | | | | | | | | | | | | | | |
| MATERIAL | | APPLICATION SPEC | SIZE A2 | CAGE CODE - | | | | | | | | | | | | | | |
| | | WEIGHT | DRAWING NO. C-T1990160000009 | | | | | | | | | | | | | | | |
| | | CUSTOMER DRAWING | SCALE 1:1 | SHEET 1 OF 1 | | | | | | | | | | | | | | |
| | | | REV A2 | | | | | | | | | | | | | | | |