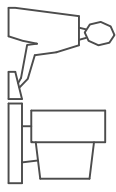
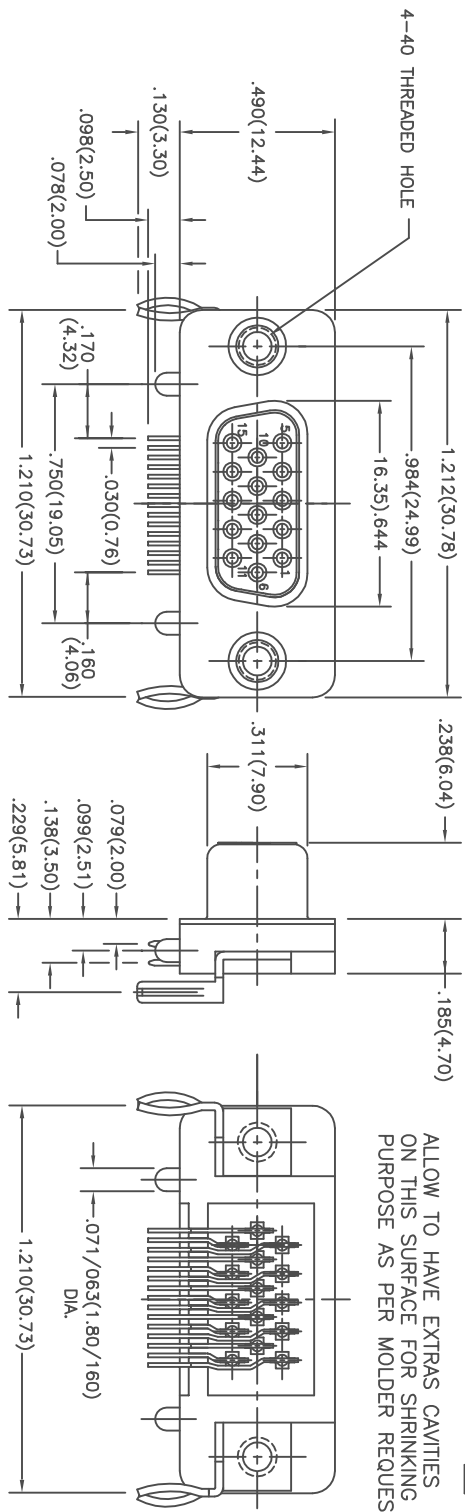


THIS IS A C.A.D. GENERATED DRAWING
DO NOT MAKE MANUAL REVISIONS TO MASTER.



ALLOW TO HAVE EXTRAS CAVITIES
ON THIS SURFACE FOR SHRINKING
PURPOSE AS PER MOLDER REQUEST



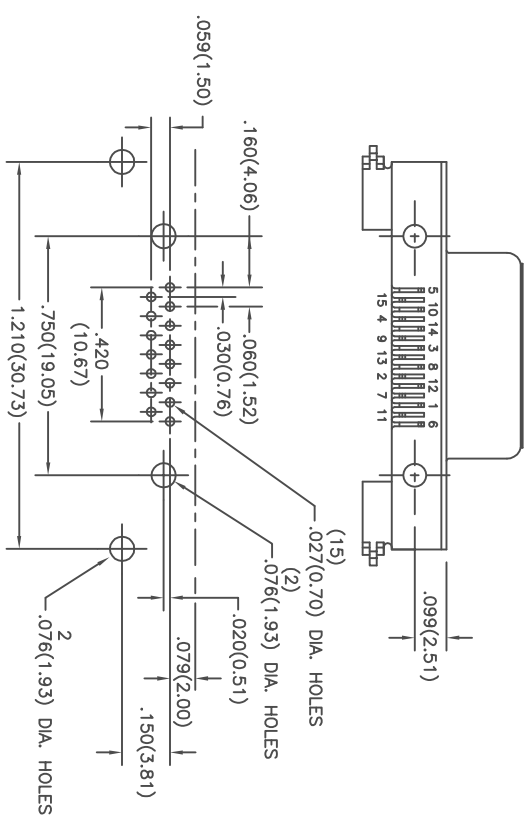
ISSUE NUMBER	ORIGINAL	①
ROHS STATEMENT ADDED.	R.BLAKELEY NOV 30/05	②
PROCESSING TEMP. ADDED	F.BRIONES DEC.12/05	③
DIA. OF ALIGNMENT PINS	.063(1.60) AND HOLES ON PCB LAYOUT .071(1.80) WAS .073(1.85) AND .076(1.93)	F.BRIONES FEB.14/06 ④
DIM.1.240(31.49) WAS	1.210(30.73)	F.BRIONES APR.19/06 ⑤
DIM.1.210(30.73) ON B/LOCKS	WAS 1.240(31.49)	F.BRIONES NOV.23/06 ⑥
BOARDLOCKS WAS SINGLE	F.BRIONES NOV.2/09	⑦

MATERIALS AND FINISH

- 1: STEEL, NICKEL PLATED
- 2: INSULATOR, NYLON 6T, COLOR PANTONE BLUE #2935U
- 3: CONTACTS: PHOSPHOR BRONZE, GOLD PLATED ON CONTACT AREA
TIN ON TAILS OVER NICKEL
- 4: BOARD LOCKS, BRASS TIN PLATED
- 5: RIVETS, BRASS NICKEL PLATED

SPECIFICATIONS

CURRENT RATING: 1 AMP MAX.
INSULATION RESISTANCE: 1000 MEGOHMS MIN. AT 500 VDC
DWD: 500 VAC rms FOR 1 MINUTE
CONTACT RESISTANCE: 30 MILLOHMS MAX.
TEMPERATURE RATING: -40°C +230°C
MAX. PROCESSING TEMPERATURE: 265°C FOR 10 SEC. AND 230°C FOR 60 SEC.
CONTACT POSITION 9th RECESSED



634 SERIES HDD SUBMINIATURE CONNECTOR
15 CONTACTS RECEPTACLE(SOCKET) RIGHT ANGLE ULTRA SLIM
WITH TRIPLE-BEAM BOARDLOCK

DRAWN: F.BRIONES	DATE: JUNE 20/05
CHECKED:	DATE:
PART NUMBER	634-015-274-990
DRAWING NUMBER	634-015-274-990



THIS SERIES FULLY CONFORMS TO THE
EUROPEAN UNION DIRECTIVES 2002/95/EC
AND 2002/96/EC FOR ROHS COMPLIANCY.

EDAC INC
TORONTO, ONTARIO
CANADA
YOUR CONNECTION TO QUALITY & SERVICE

THESE DRAWINGS AND SPECIFICATIONS
ARE THE PROPERTY OF EDAC INC. AND
SHALL NOT BE REPRODUCED, OR COPIED
OR USED AS THE BASIS FOR THE
MANUFACTURE OR SALE OF APPARATUS
WITHOUT WRITTEN PERMISSION.

ISSUE	7
-------	---