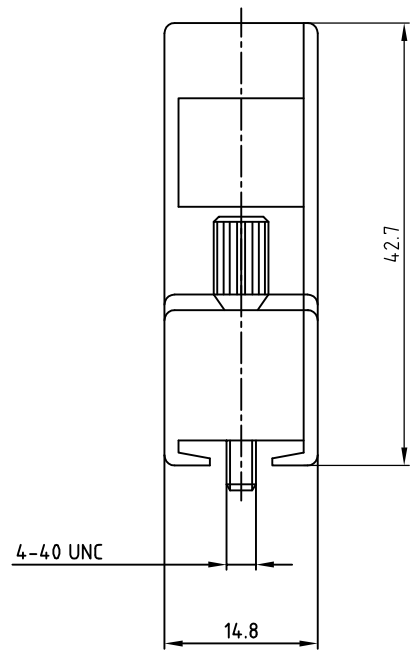
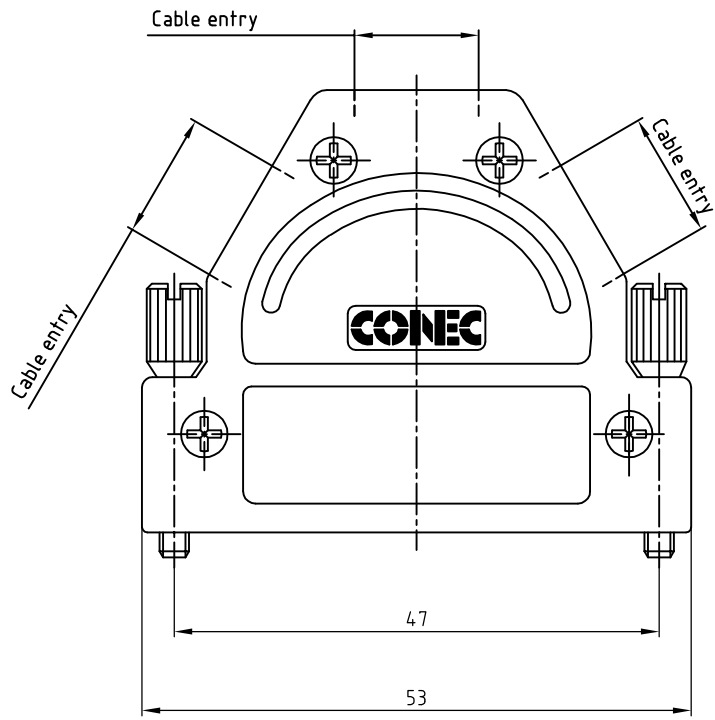


used for: D-SUB



Directive 2002/95/EC RoHS compliant

THIS DRAWING MAY NOT BE COPIED OR REPRODUCED IN ANY WAY, AND MAY NOT BE PASSED ON TO A THIRD PARTY, WITHOUT WRITTEN PERMISSION. OWNERSHIP AND COPYRIGHT OF CONEC GmbH DO NOT ALTER CAD DRAWING BY HAND

rev.	description	date	name
a	Original		

2011	date	name
drawn	01.03.	Henneboel
appd.	05.04.	Fischer
norm		
d-old		

tolerance		scale:	2:1
	dim. in mm	material:	HOOD: DIE-CAST ZINC
		title:	METAL HOOD 25pos. EMI / RFI SHIELDING with jack screws
		dwg no:	16K1A2811
		part no:	600X51225X
			DIN-A 3 sh: 1/1

