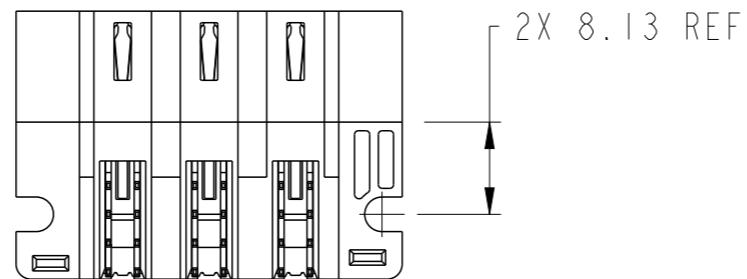
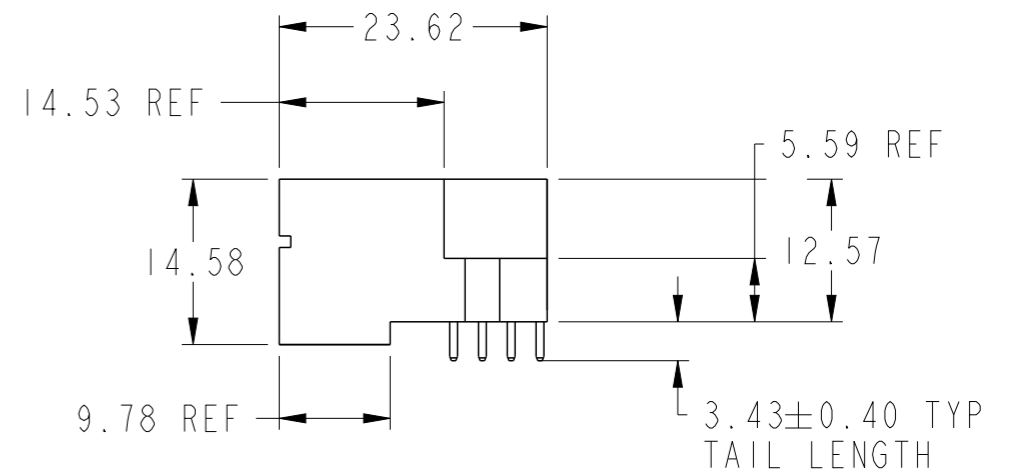
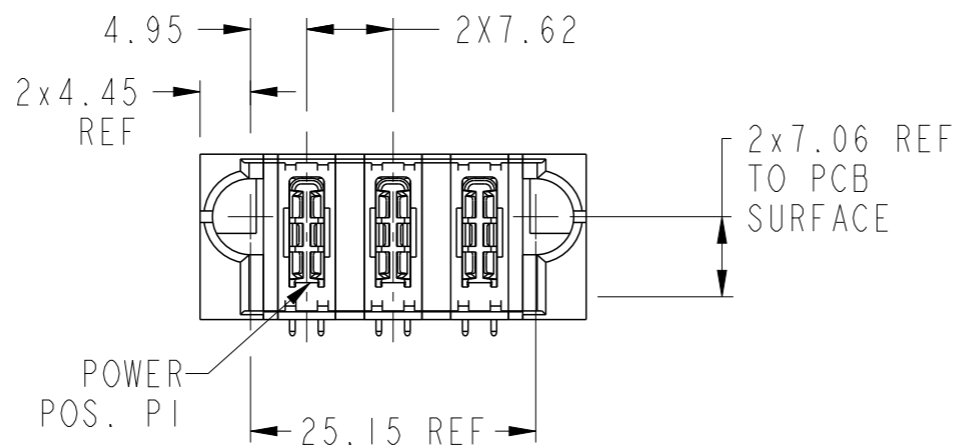
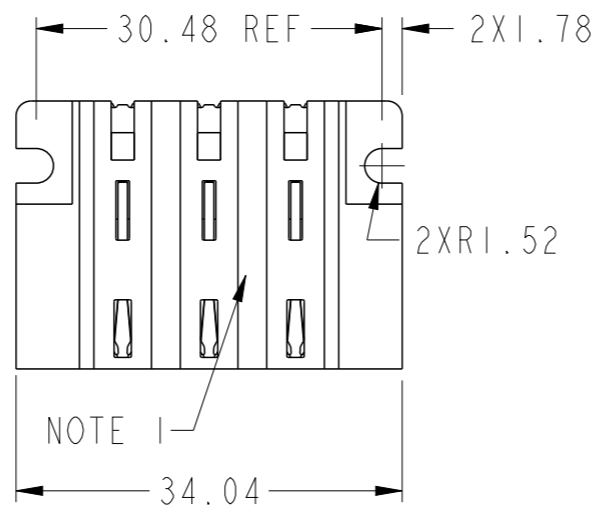
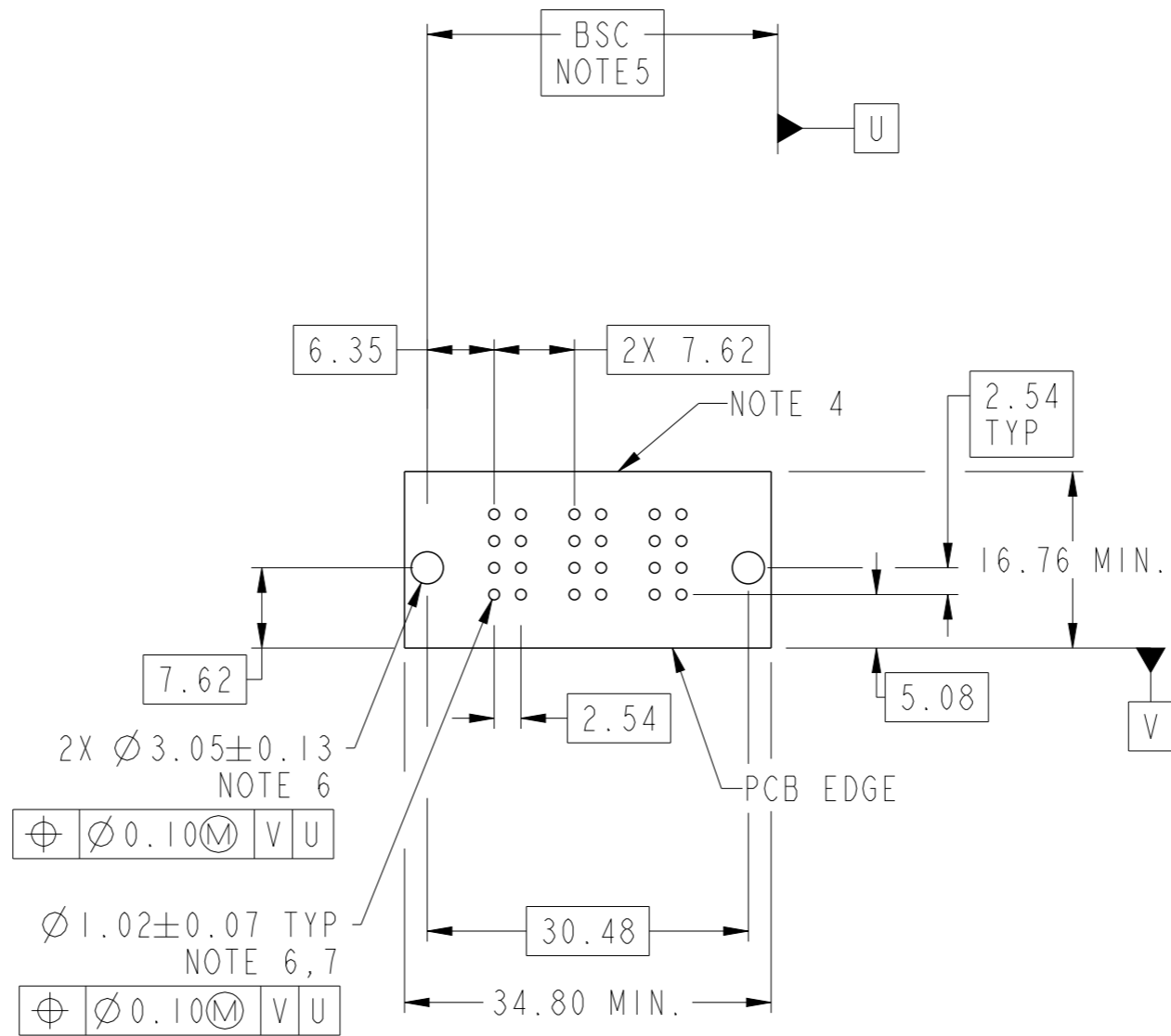


PRODUCT NUMBER SEE SHEET 2



spec ref	*	dr	Xie Bob	2013/08/29	projection	MM	size	A3	scale	3:2
tolerance std	ASME Y14.5	eng	Xie Bob	2013/09/12			ecn no	-		
TOLERANCES UNLESS OTHERWISE SPECIFIED		chr	Li-He	2013/09/12			product family	PwrBlade+	rel level	Released
surface		linear	0.X	±0.5		title 4ACP RA STB HEADER	dwg no 10106116-3000001	rev A	-	
			0.XX	±0.25					-	
ASME Y14.5		angular	0°	±2°	www.fci.com	cat. no.	Product - Customer Drw		sheet 1 of 3	

PRODUCT NO.	ROWS	HIGH POWER				
		E1	P1	P2	P3	E2
10106116-3000001LF	DCBA					



$\text{Ø} 0.10$	M	V	U
$\text{Ø} 1.02 \pm 0.07$	TYP	NOTE 6, 7	
$\text{Ø} 0.10$	M	V	U

CODE	DESCRIPTION
HI	STD HIGH POWER CONTACT (3.43)

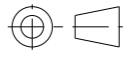
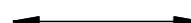

dr	Xie Bob	2013/08/29	projection	MM	size	A3	scale	3:2
eng	Xie Bob	2013/09/12			ecn no	-		
chr	Li-He	2013/09/12	product family	PwrBlade+	rel level	Released		
appr	Pei-Ming Zheng	2013/09/12	www.fci.com		title	4ACP	dwg no	10106116-3000001
				cat. no.	RA STB HEADER	rev	A	
				Product - Customer Drw		sheet 2 of 3		

NOTES:

- 1) "FCI", PART NUMBER AND DATE CODE TO BE MARKED ON THIS SURFACE.
THE P/N CAN BE OMITTED IF THERE IS NOT ENOUGH SPACE ON THIS SURFACE.
- 2) MATERIALS:
-HOUSING - GLASS FILLED WITH HIGH TEMP THERMOPLASTIC, UL94V-0.
-SIGNAL CONTACT - COPPER ALLOY.
-POWER CONTACT - HIGH CONDUCTIVITY COPPER ALLOY.
- 3) PLATING SPECIFICATION REFER TO FCI 10116351
- 4) DENOTES CONNECTOR KEEP OUT ZONE.
- 5) DATUM AND BASIC DIMENIONS WERE ESTABLISHED BY CUSTOMER.
- 6) ALL HOLE DIAMETERS ARE FINISHED HOLE SIZES.
- 7) 1.15 ± 0.025 MM DRILLED HOLE PLATED WITH 0.00762MM MIN Sn
OVER 0.0254-0.0762MM Cu PLATING TO ACHIEVE A 1.02 ± 0.07 MM HOLE.
- 8) PRODUCT SPECIFICATION REFER TO FCI GS-12-658.
APPLICATION SPECIFICATION REFER TO FCI GS-20-141.
PRODUCT PACKAGED IN TRAYS, REFER TO FCI GS-14-1502.



Copyright FCI.

dr	Xie Bob	2013/08/29	projection 	MM 	size	A3	scale	3:2
eng	Xie Bob	2013/09/12			ecn no	-		
chr	Li-He	2013/09/12			product family	PwrBlade+	rel level	Released
appr	Pei-Ming Zheng	2013/09/12			 title 4ACP RA STB HEADER		dwg no 10106116-3000001	rev A
www.fci.com			cat. no.	Product - Customer Drw		sheet 3 of 3		