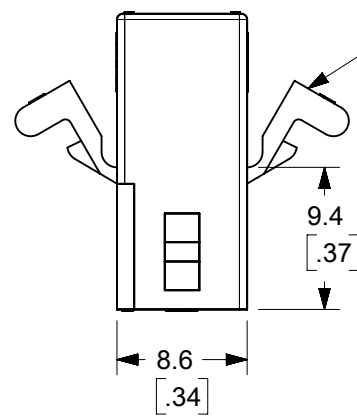
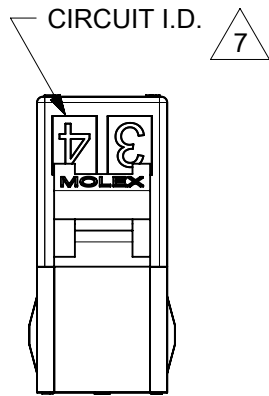
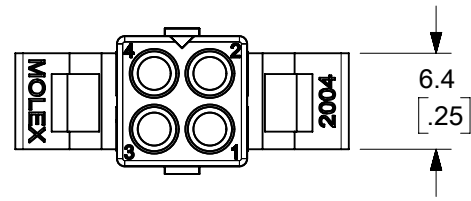
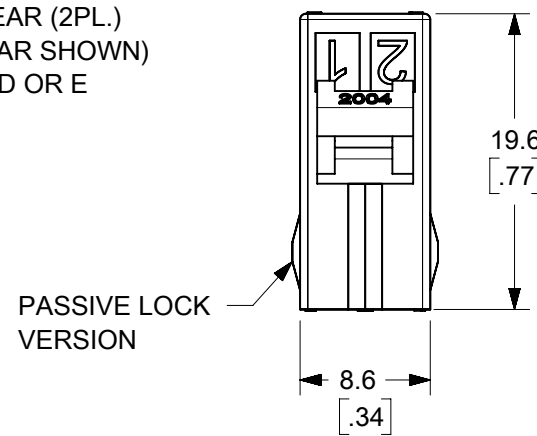


PLUG HOUSING

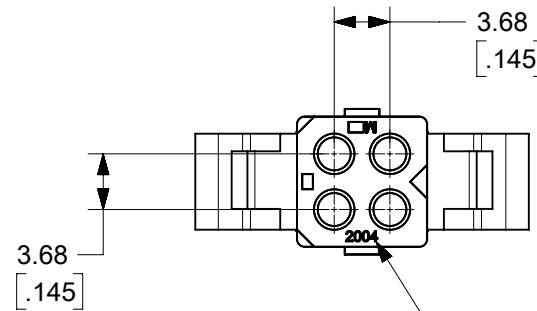
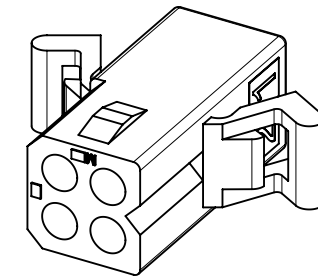
QUALITY SYMBOLS ∇A = 0 ∇B = 0 ∇C = 0 ∇D = 0 ∇E = 0 ∇F = 0 ∇G = 0 ∇H = 0 ∇I = 0 ∇J = 0 ∇K = 0 ∇L = 0 ∇M = 0 ∇N = 0 ∇O = 0 ∇P = 0 ∇Q = 0 ∇R = 0 ∇S = 0 ∇T = 0 ∇U = 0 ∇V = 0 ∇W = 0 ∇X = 0 ∇Y = 0 ∇Z = 0	THIS DRAWING CONTAINS INFORMATION THAT IS PROPRIETARY TO MOLEX ELECTRONIC TECHNOLOGIES, LLC AND SHOULD NOT BE USED WITHOUT WRITTEN PERMISSION											
	EC NO: 109320 DRWN: MKIPPER CHK'D: MKIPPER APPR: FSMITH	2016/09/22 2016/10/17 2016/10/25	GENERAL TOLERANCES (UNLESS SPECIFIED)				DIMENSION UNITS	SCALE				
							MM/IN	2:1				
							DRWN BY	DATE	PLUG AND RECEPTACLE HOUSINGS 4 CIRCUIT .062 DIA., .145 CTRS.			
							BAPPELDORN	2016/09/22				
							CHK'D BY	DATE				
					MKIPPER	2016/09/22	PRODUCT CUSTOMER DRAWING					
					APPR BY	DATE						
					FSMITH	2016/09/29	SERIES	MATERIAL NUMBER	CUSTOMER			
					ANGULAR TOL ± 1.0		DRAWING SIZE	THIRD ANGLE PROJECTION	2004	SEE CHART	GENERAL MARKET	
				DRAFT WHERE APPLICABLE MUST REMAIN WITHIN DIMENSIONS		B		DOCUMENT NUMBER	DOC TYPE	DOC PART	SHEET NUMBER	
								20040000-SD	PSD	000	1 OF 3	



MOUNTING EAR (2PL.)
(PREBENT EAR SHOWN)
SEE DETAIL D OR E



PASSIVE LOCK
VERSION



ENG. NO. LOCATION
FOR PARTS W/O MOUNTING EARS

RECEPTACLE HOUSING

THIS DRAWING CONTAINS INFORMATION THAT IS PROPRIETARY TO MOLEX ELECTRONIC TECHNOLOGIES, LLC AND SHOULD NOT BE USED WITHOUT WRITTEN PERMISSION										
QUALITY SYMBOLS ▽ = 0 ▽ = 0 ▽ = 0 ▽ = 0 ▽ = 0 ▽ = 0 ▽ = 0 ▽ = 0 ▽ = 0	CORRECT NOTE 5 EC NO: 109320 DRWN: MKIPPER CHK'D: MKIPPER APPR: FSMITH	GENERAL TOLERANCES (UNLESS SPECIFIED)		DIMENSION UNITS	SCALE					
		MM	INCH	MM/IN	2:1					
		4 PLACES	±	±	DRWN BY	DATE	PLUG AND RECEPTACLE HOUSINGS 4 CIRCUIT .062 DIA., .145 CTRS.			
		3 PLACES	±	± 0.01	BAPPELDORN	2016/09/22				
		2 PLACES	± 0.25	± 0.014	CHK'D BY	DATE	PRODUCT CUSTOMER DRAWING			
1 PLACES	± 0.36	±	MKIPPER	2016/09/22						
0 PLACES	±	±	APPR BY	DATE	SERIES: 2004 MATERIAL NUMBER: SEE CHART CUSTOMER: GENERAL MARKET					
ANGULAR TOL ± 1.0		DRAWING SIZE		THIRD ANGLE PROJECTION						
DRAFT WHERE APPLICABLE MUST REMAIN WITHIN DIMENSIONS		B				DOCUMENT NUMBER: 20040000-SD DOC TYPE: PSD DOC PART: 000 SHEET NUMBER: 2 OF 3				

PLUG	
PART NO.	ENG. NO.
03-06-2043	2004-P
03-06-7043	2004-PBK
03-06-2044	2004-P1
03-06-7044	2004-P1BK
46999-0719	2004-P2

RECEPTACLE	
PART NO.	ENG. NO.
03-06-1043	2004-R
03-06-6043	2004-RBK
03-06-1044	2004-R1
46999-0807	2004-R2

LEGEND:

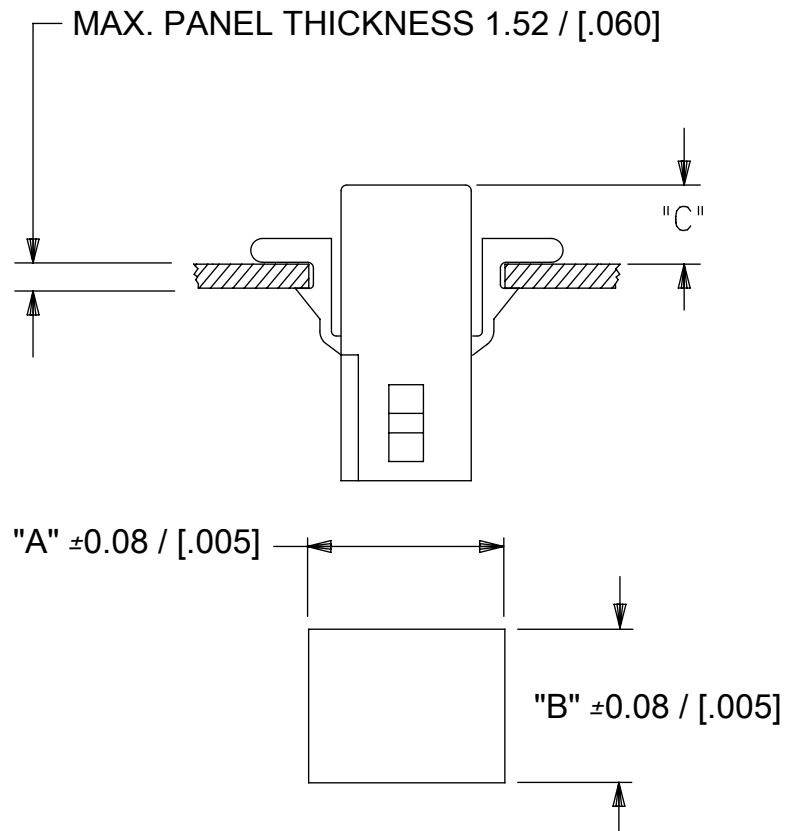
2004-***

P = PLUG
R = RECEPTACLE

BLANK = WITH STANDARD EARS
1 = WITHOUT EARS
2 = WITH PREBENT EARS

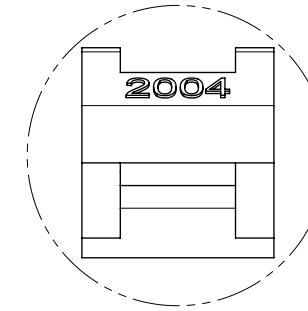
COLOR:
BLANK = NATURAL
AM=AMBER BK=BLACK BU=BLUE
BN=BROWN GY=GRAY GN=GREEN
OR=ORANGE RD=RED YW=YELLOW

DETAIL D
STANDARD MOUNTING EARS
(SCALE 4:1)

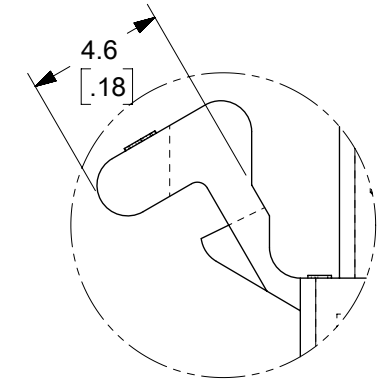


NOTES:

1. MATERIAL: NYLON 6/6 UL94V-2, COLOR: SEE LEGEND
2. FINISH: NONE
3. PRODUCT SPECIFICATION: PS-02-06
4. PACKAGING SPECIFICATION: 20040000-PK
5. THIS DIMENSION DEPENDS ON TOOLING AND MAY BE 0.75/(19.1) ON SOME PARTS.
6. HOUSINGS FOR USE WITH MOLEX .062/(1.57) DIA. TERMINALS.
7. CIRCUIT I.D. NUMBERS ON SIDE OF HOUSING DEPENDS ON TOOLING AND MAY OR MAY NOT BE PRESENT.
8. PARTS CONFORM TO CLASS B REQUIREMENTS OF COSMETIC SPECIFICATION PS-45499-002.
9. DRAWING REPLACES SD-2004-*



DETAIL F
SCALE 4:1



DETAIL E
SCALE 4:1

PRE-BENT MOUNTING EARS
(SCALE 4:1)

RECOMMENDED HOLE PATTERN

HOUSING	DIM. "A"		DIM. "B"		PREBENT EAR DIM. "C"		STD. EAR DIM. "C"	
	MM	IN	MM	IN	MM	IN	MM	IN
PLUG	15.62	.615	11.81	.465	6.6	.26	6.6	.26
RECEPTACLE	12.85	.506	10.16	.400	6.1	.24	6.1	.24

QUALITY SYMBOLS	THIS DRAWING CONTAINS INFORMATION THAT IS PROPRIETARY TO MOLEX ELECTRONIC TECHNOLOGIES, LLC AND SHOULD NOT BE USED WITHOUT WRITTEN PERMISSION										
	△ = 0 ▽ = 0 ▽ = 0 ▽ = 0 ▽ = 0 ▽ = 0 ▽ = 0 ▽ = 0 ▽ = 0 ▽ = 0 ▽ = 0	EC NO: 109320 DRWN: MKIPPER CHK'D: MKIPPER APPR: FSMITH	2016/09/22 2016/10/17 2016/10/25	CORRECT NOTE 5	GENERAL TOLERANCES (UNLESS SPECIFIED) MM INCH 4 PLACES ± ± 3 PLACES ± ± 0.01 2 PLACES ± 0.25 ± 0.014 1 PLACES ± 0.36 ± 0 PLACES ± ± ANGULAR TOL ± 1.0 DRAFT WHERE APPLICABLE MUST REMAIN WITHIN DIMENSIONS	DIMENSION UNITS: MM/IN SCALE: 1:1 DRWN BY: BAPPELDORN DATE: 2016/09/22 CHK'D BY: MKIPPER DATE: 2016/09/22 APPR BY: FSMITH DATE: 2016/09/29 DRAWING SIZE: B THIRD ANGLE PROJECTION		PLUG AND RECEPTACLE HOUSINGS 4 CIRCUIT .062 DIA., .145 CTRS.			PRODUCT CUSTOMER DRAWING
RELEASE STATUS: P1 RELEASE DATE: 25.10.2016 15:59:23	SERIES: 2004 MATERIAL NUMBER: SEE CHART CUSTOMER: GENERAL MARKET	DOCUMENT NUMBER: 20040000-SD DOC TYPE: PSD DOC PART: 000 SHEET NUMBER: 3 OF 3									