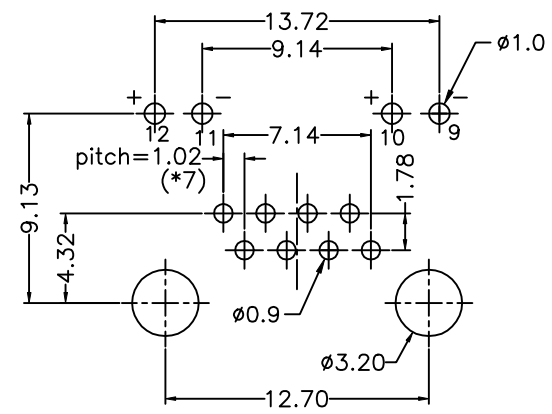
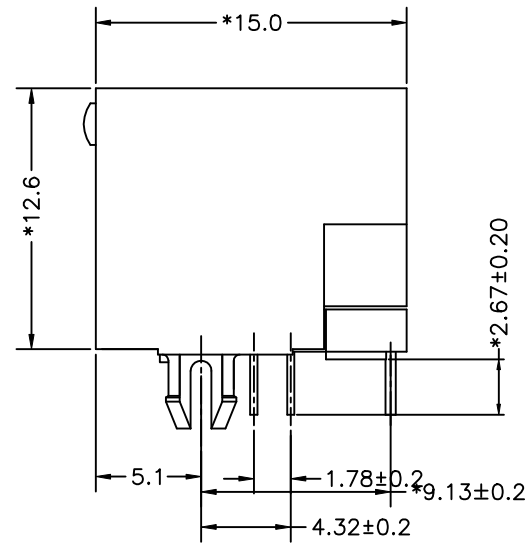
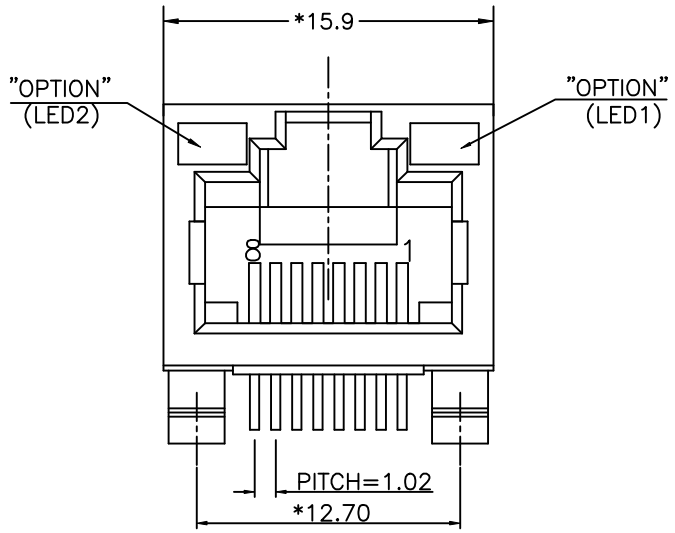


| REVISION RECORD |     |             |      |      |
|-----------------|-----|-------------|------|------|
| REV             | ECO | DESCRIPTION | DRFT | CHKD |
|                 |     |             |      |      |



PC Board Layout  
PCB t = 1.60mm

**NOTES:**  
**ELECTRICAL:**

- VOLTAGE RATING : 125 VAC RMS.
- CURRENT RATING : 1.5 AMP.
- CONTACT RESISTANCE : 30 MILLIOHMS MAX.
- INSULATION RESISTANCE: 1000 MEGOHMS MIN @ 500 VDC.
- DIELECTRIC STRENGTH : 1000 VAC RMS 60Hz, 1MIN.
- LED RATINGS: FORWARD VOLTAGE: 2.2 VOLTS TYPICAL.  
REVERSE VOLTAGE: 5 VOLTS MAXIMUM.
- OPERATING: 750 CYCLES MIN.

PART NUMBER: E 5J 8 8 - X 0 L J D X-L

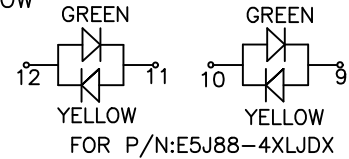
- LED1:GREEN ,LED2:YELLOW
- LED1:GREEN ,LED2:GREEN
- LED1:YELLOW ,LED2:GREEN
- LED1:G+Y ,LED2:G+Y
- LED1:RED ,LED2:GREEN
- LED1:YELLOW ,LED2:YELLOW

PLATING: 1-3u", 4-30u"  
2-6u", 5-50u"  
3-15u"

JD-W/O LOGO FR52 STAMPED PIN

**MECHANICAL:**

- HOUSING MATERIAL : FR52 UL94V-0. COLOR-BLACK.
- INSERT MATERIAL : FR52 UL94V-0. COLOR-BLACK.
- LENS MATERIAL : FR52 UL94V-0. COLOR-CLEAR.
- BACK PLATE MATERIAL : FR52 UL94V-0. COLOR-BLACK.
- LED SIZE : 3.2\*2.0\*4.0\*P=2.29mm OR 3.1\*1.8\*7.0\*P=2.54mm.
- CONTACT MATERIAL : PHOSPHOR BRONZE 0.35mm THICKNESS
- PLATING : GOLD PLATING OVER NICKEL.
- PCB RETENTION PRE-SOLDER : 1 LB MIN.
- PCB RETENTION POST-SOLDER: 10 LBS MIN.



**ENVIRONMENTAL:**

- STORAGE : -40°C TO +85°C.
  - OPERATION: 0°C TO 70°C.
  - WAVE SOLDERING TEMPERATURE: 255~265° (5~10 SECONDS)
- MATES WITH MODULAR PLUG CONFORMING TO  
FCC PART 68, SUBPART F.  
CUL FILE NO. E163191

|                |                            |              |                |                               |      |
|----------------|----------------------------|--------------|----------------|-------------------------------|------|
| DETACHED LISTS | MM (INCH)                  | DFTO PETERS  | DATE 03/25/05  | FULL RISE ELECTRONIC CO., LTD |      |
|                | TOLERANCES EXCEPT AS NOTED | CHKD-MAKE    | DATE 2005/3/25 |                               |      |
|                |                            | MFO          | DATE           |                               |      |
|                |                            | APPVLLUSHENG | DATE 2005/3/26 |                               |      |
|                | MM                         |              |                | TITLE                         |      |
|                | .0 ± 0.20                  | ±            |                | LED JACK                      |      |
|                | .00 ± 0.15                 | ±            |                | DRAWING NO. GE5J3197-LA       |      |
|                | .000 ± 0.075               | ±            |                | /PART NO. SEE NOTE            |      |
|                | ANGLES ±                   |              | QTY :          | SIZE                          | REV  |
|                |                            |              |                | A3                            | 0    |
|                | THIRD ANGLE PROJECTION     |              | FINISH :       | DO NOT SCALE DRAWING          |      |
|                |                            |              | SCALE : 4:1    | SHEET X                       | OF Y |