

NOTES:

- MATERIALS: HOUSING - LIQUID CRYSTAL POLYMER (LCP)
GLASS-FILLED, UL94V-0
TERMINALS - HIGH PERFORMANCE COPPER ALLOY
- FINISH: 30 μMCH MIN GOLD IN CONTACT AREA.
SELECTIVE MATTE TIN ON PCB TAILS. NICKEL OVERALL.
- REFER TO MOLEX PRODUCT SPECIFICATION PS-76060-999 FOR PERFORMANCE SPECIFICATIONS AND ADDITIONAL PCB INFORMATION.
- EACH SIGNAL WAFER CONTAINS 2 COLUMNS OF TERMINALS.
- SEE CHART FOR PACKAGING SPECIFICATIONS.
- THIS PART CONFORMS TO CLASS B REQUIREMENTS OF COSMETIC SPEC PS-45499-002.
- REFER TO MOLEX SALES DRAWING SD-170335-0002 FOR THE MATING HEADERS
- REFER TO MOLEX ROUTING PCB ROUTING GUIDE AS-76060-990 FOR ANTIPAD AND ROUTING RECOMMENDATIONS.
- GROUND PATHS ARE NOT DISCRETE WITHIN CONNECTOR DUE TO PRESENCE OF PLUS CLIP.
- PART NUMBER 170390-3130 SHOWN ON DRAWING. KEYING FEATURES WILL CHANGE WITH COLUMN SIZE.
- FOR SCREW PART NUMBER AND FUNCTIONAL BOARD THICKNESS REFER TO CHART ON SHEET 2. IN ORDER TO ACCOMMODATE ALTERNATE BOARD THICKNESSES PLEASE CONTACT MOLEX.

REVISED SCREW INFO EC NO: UCP2014-2428 DRWN:PREMO 2013/12/05 CHKD:TELO 2013/12/05 APPR:TELO 2014/07/18 REV: B1	QUALITY SYMBOLS 	GENERAL TOLERANCES (UNLESS SPECIFIED)		DIMENSION STYLE MM ONLY		SCALE 3:1	DESIGN UNITS METRIC	THIRD ANGLE PROJECTION			
		4 PLACES ± --- ± --- 3 PLACES ± --- ± --- 2 PLACES ± 0.13 ± --- 1 PLACE ± 0.25 ± ---	mm INCH ± --- ± --- ± --- ± --- ± --- ± ---	DRAWN BY J JONIAK	DATE 2011/01/20	CHECKED BY J B INGHAM	DATE 2013/04/03	IMPACT 4-PAIR 85-OHM LEFT GUIDE MEZZANINE SALES DRAWING			
		ANGULAR ± 1/2°		APPROVED BY J LAURX	DATE 2013/04/05	MOLEX INCORPORATED		MATERIAL NO. SEE CHART	DOCUMENT NO. SD-170390-0002	SHEET NO. 1 OF 2	

DRAFT WHERE APPLICABLE MUST REMAIN WITHIN DIMENSIONS

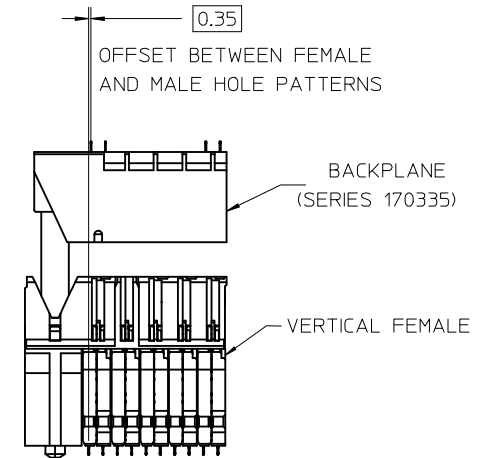
THIS DRAWING CONTAINS INFORMATION THAT IS PROPRIETARY TO MOLEX INCORPORATED AND SHOULD NOT BE USED WITHOUT WRITTEN PERMISSION

PART NUMBER CHART

MATERIAL NUMBER	# OF COLUMNS	# OF DIFF PAIRS	DIM "A" MAX	DIM "B"	DIM "C"	DIM "D"	PACKAGING SPEC	SCREW P/N	FUNCTIONAL BOARD THICKNESS	HEIGHT (DIM H)
170390-3*08	8	32	22.8	13.3	15.36	19.41	PK-70873-4001	73726-0005	2.0mm TO 3.0mm	18mm STACK
170390-3*00	10	40	26.6	17.1						
170390-3*02	12	48	30.4	20.9						
170390-3*07	14	56	34.2	24.7						
170390-3*06	16	64	38.0	28.5						
170390-3*09	18	72	41.8	32.3						

MATERIAL NUMBER	# OF COLUMNS	# OF DIFF PAIRS	DIM "A" MAX	DIM "B"	DIM "C"	DIM "D"	PACKAGING SPEC	SCREW P/N	FUNCTIONAL BOARD THICKNESS	HEIGHT (DIM H)
170390-3*28	8	32	22.8	13.3	22.36	19.41	PK-70873-4002	73726-0000	1.0mm TO 5.0mm	25mm STACK
170390-3*20	10	40	26.6	17.1						
170390-3*22	12	48	30.4	20.9						
170390-3*27	14	56	34.2	24.7						
170390-3*26	16	64	38.0	28.5						
170390-3*29	18	72	41.8	32.3						

MATERIAL NUMBER	# OF COLUMNS	# OF DIFF PAIRS	DIM "A" MAX	DIM "B"	DIM "C"	DIM "D"	PACKAGING SPEC	SCREW P/N	FUNCTIONAL BOARD THICKNESS	HEIGHT (DIM H)
170390-3*38	8	32	22.8	13.3	34.36	20.65	PK-70873-0044	73726-0000	1.0mm TO 5.0mm	37mm STACK
170390-3*30	10	40	26.6	17.1						
170390-3*32	12	48	30.4	20.9						
170390-3*37	14	56	34.2	24.7						
170390-3*36	16	64	38.0	28.5						
170390-3*39	18	72	41.8	32.3						



PART NUMBER LOGIC

170390-****

MODULE AND TAIL PLATING TYPE
3 = GUIDE LEFT, MATTE TIN

KEY ORIENTATION

- 0 = NO KEY
- 1 = A 5 = E
- 2 = B 6 = F
- 3 = C 7 = G
- 4 = D 8 = H

- # OF COLUMNS
- 8 = 8 COL
 - 0 = 10 COL
 - 2 = 12 COL
 - 7 = 14 COL
 - 6 = 16 COL
 - 9 = 18 COL

- STACK HEIGHT (H)
- 0 = 18mm
 - 2 = 25mm
 - 3 = 37mm

SEE SHEET 1 EC NO: UCP2014-2428 DRAWN:PREMO 2013/12/05 CHKD:TELO 2013/12/05 APPR:TELO 2014/07/18	QUALITY SYMBOLS ∇=0 ∇=0 ∇=0	GENERAL TOLERANCES (UNLESS SPECIFIED)		DIMENSION STYLE MM ONLY	SCALE 2:1	DESIGN UNITS METRIC	THIRD ANGLE PROJECTION		
		4 PLACES ± --- ± --- 3 PLACES ± --- ± --- 2 PLACES ± 0.13 ± --- 1 PLACE ± 0.25 ± ---	mm INCH	DRAWN BY JJONI AK DATE 2011/01/20	CHECKED BY JB INGHAM DATE 2013/04/03	TITLE IMPACT 4-PAIR 85-OHM LEFT GUIDE MEZZANINE SALES DRAWING			
		ANGULAR ±1/2°		APPROVED BY JLAURX DATE 2013/04/05	MOLEX INCORPORATED				
		DRAFT WHERE APPLICABLE MUST REMAIN WITHIN DIMENSIONS		MATERIAL NO. SEE CHART	DOCUMENT NO. SD-170390-0002	SHEET NO. 2 OF 2			

THIS DRAWING CONTAINS INFORMATION THAT IS PROPRIETARY TO MOLEX INCORPORATED AND SHOULD NOT BE USED WITHOUT WRITTEN PERMISSION