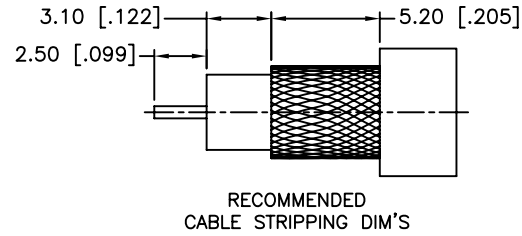
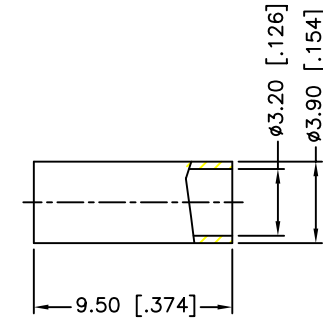
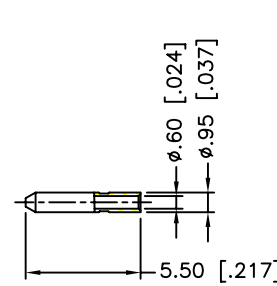
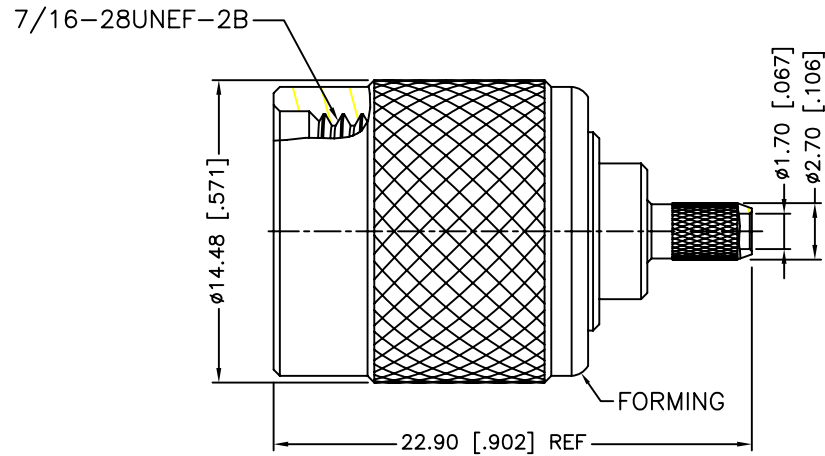


| REV. | DATE     | ECR NO. | DESCRIPTION           |
|------|----------|---------|-----------------------|
| A    | 06/20/12 | 2309    | UPDATE DRAWING FORMAT |



NOTES:

- CRIMPED FERRULE HEX CRIMP SIZE .128"
- CONTACT PIN CAN BE SOLDERED, OR USE 4-WAY INDENT TOOL #47001
- ELECTRICAL:
  - IMPEDANCE: 50 OHM
  - FREQUENCY RANGE: DC - 11 GHz
  - VSWR(RETURN LOSS): 1.3 MAX.
  - DIELECTRIC WITHSTANDING VOLTAGE: 1500 VRMS, MIN.
- MECHANICAL:
  - DURABILITY: 500 CYCLES MIN.
  - TEMPERATURE RANGE: -65° C TO +165° C



|    |               |                 |         |     |
|----|---------------|-----------------|---------|-----|
| 10 | FERRULE       | BRASS           | NICKEL  | 1   |
| 9  | CONTACT PIN   | BRASS           | GOLD    | 1   |
| 8  | WASHER        | BRASS           | NICKEL  | 1   |
| 7  | RING          | DELTRIN         | NATURAL | 1   |
| 6  | RETAINER RING | BRASS           | NICKEL  | 1   |
| 5  | GASKET        | RUBBER          | RED     | 1   |
| 4  | CONTACT PIN   | PHOSPHOR BRONZE | GOLD    | 1   |
| 3  | INSULATOR     | DELTRIN         | NATURAL | 1   |
| 2  | BODY          | BRASS           | NICKEL  | 1   |
| 1  | SHELL         | BRASS           | NICKEL  | 1   |
|    | DESCRIPTION   | MATERIAL        | FINISH  | QTY |

UNLESS OTHERWISE SPECIFIED DIMENSIONS ARE IN MILLIMETERS. DIMENSIONS IN [ ] ARE IN INCHES AND FOR CUSTOMER REFERENCE ONLY.

UNLESS OTHERWISE SPECIFIED TOLERANCES FOR MILLIMETERS ARE:  
 0.5 - 8mm ± 0.20mm  
 8 - 30mm ± 0.40mm  
 30 - 120mm ± 0.50mm

UNLESS OTHERWISE SPECIFIED TOLERANCES FOR INCHES ARE:  
 .020 - .315 = ± 0.007"  
 .315 - 1.180 = ± 0.015"  
 1.180 - 4.724 = ± 0.020"

DO NOT SCALE DRAWING

| APPROVALS |                      | DATE     |
|-----------|----------------------|----------|
| DRAWN     | R.MAO                | 06/20/12 |
| CHECKED   |                      |          |
| ISSUED    |                      |          |
| SHEET     | 1 OF 1               |          |
| CAD FILE  | C:/CONNEX/122118.DWG |          |

# Amphenol Connex

|   |            |       |    |
|---|------------|-------|----|
| PART DESCRIPTION                              |            |       |    |
| TNC CRIMP PLUG<br>(FOR RG-174/U,188A/U,316/U) |            |       |    |
| PART NO.                                      |            |       |    |
| 122118  |            |       |    |
| DWG. NO.                                      | 122118.DWG | REV.  | A  |
| SIZE  | A          | SCALE | NA |