

PTS453 Series 4,5 mm Tact Switches



Features/Benefits

- Compact size 4.5 x 4.5 mm
- 3.8 mm actuator height
- With or without ground terminal

Typical Applications

- Consumer products
- Instrumentation
- Computer products
- Hand-held devices



B

Tactile Switches

Specification

FUNCTION: Momentary action
CONTACT ARRANGEMENT: SPST, N.O.
TERMINALS: PC pins

Mechanical

ACTUATION FORCE: 130 grams.
LIFE EXPECTANCY: 25,000 operations.

Electrical

CONTACT RATING: 50 mA @ 12 V DC.
DIELECTRIC STRENGTH: 250 V AC min.
CONTACT RESISTANCE: 100 mΩ max. initial.
INSULATION RESISTANCE: 10¹¹ Ω min.

Environmental

OPERATING TEMPERATURE: -40°C to 60°C

Process

SOLDERING: Preheating to 100°C for 45 sec. max. Keep flux flush with top surface of PCB; do not apply to component side of PCB and area where terminals are located. Soldering to 255°C for 5 sec. max. Clean by brushing on solder surface. Do not clean switch with solvents.

Materials

BASE: 6/6 nylon or glass filled polyester (PBT) (UL 94V-0).
ACTUATOR: Polyacetal (UL 94HB).
COVER PLATE: PTS453S: Tin-plated brass.
PTS453T: Tin alloy.
DOME CONTACTS: Phosphor bronze, silver clad.
STATIONARY CONTACTS: Brass, silver plated.
TERMINALS: Brass, silver plated. Insert molded.

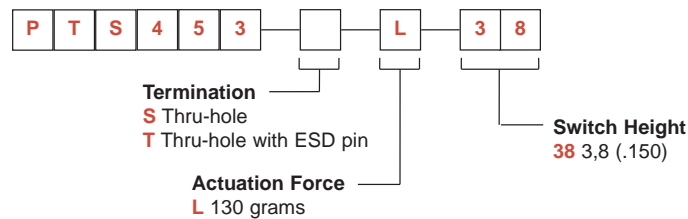
Packaging

Bulk packaging.

NOTE: Specifications listed above are for switches with standard options.
For information on specific and custom switches, consult Customer Service Center.

How To Order

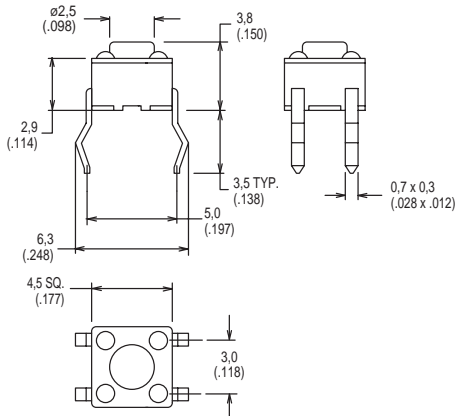
Our easy build-a-switch concept allows you to mix and match options to create the switch you need. To order, select desired option from each category and place it in the appropriate box.



PTS453 Series 4,5 mm Tact Switches

SERIES

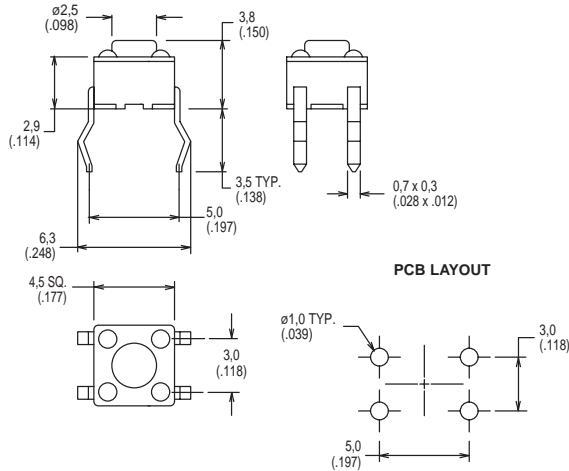
PTS453



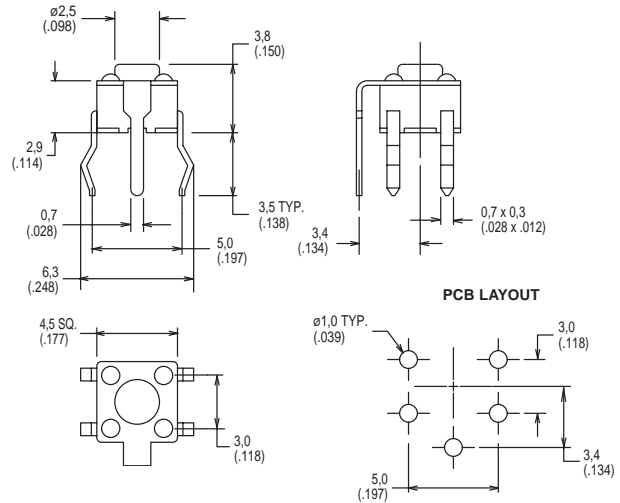
SCHEMATIC	
Without ESD pin	With ESD pin

TERMINATION

S THRU-HOLE



T THRU-HOLE WITH ESD PIN

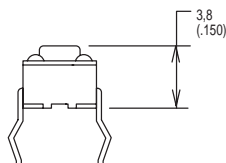


ACTUATION FORCE

L 130 GRAMS

SWITCH HEIGHT

38 3.8 (.150)



Tactile Switches

B