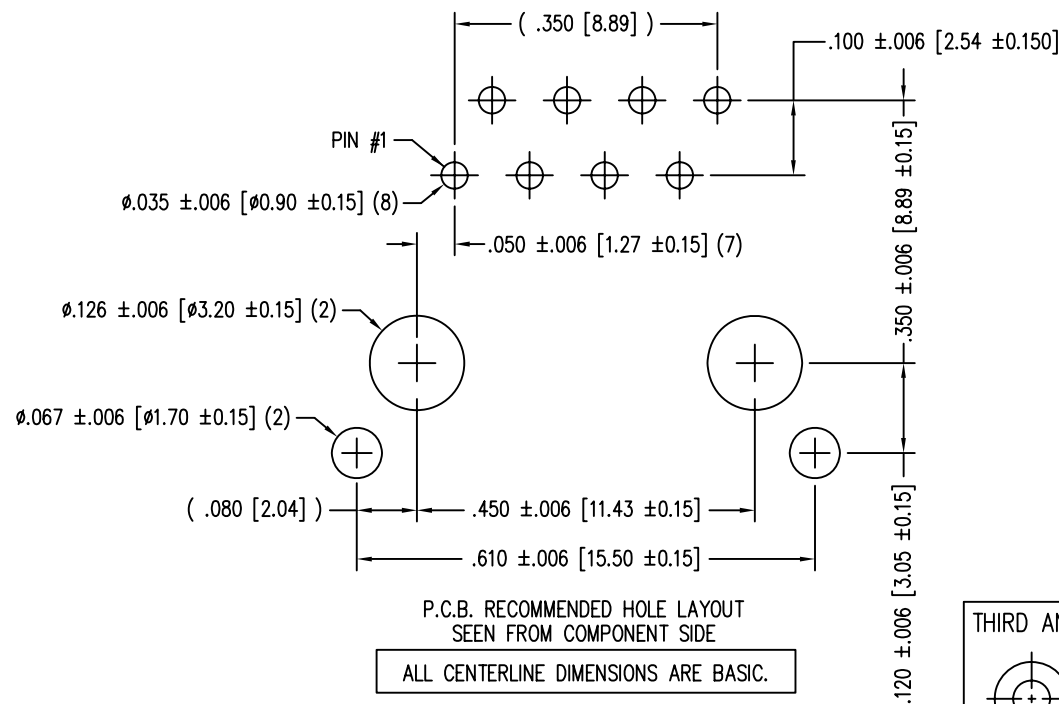
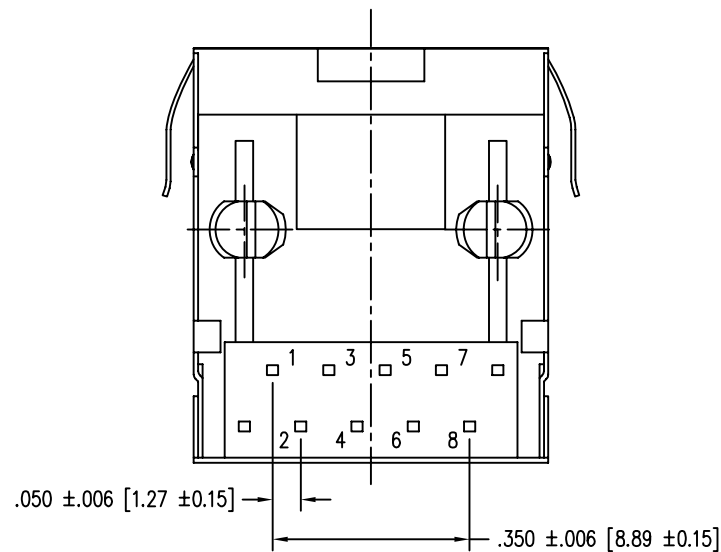
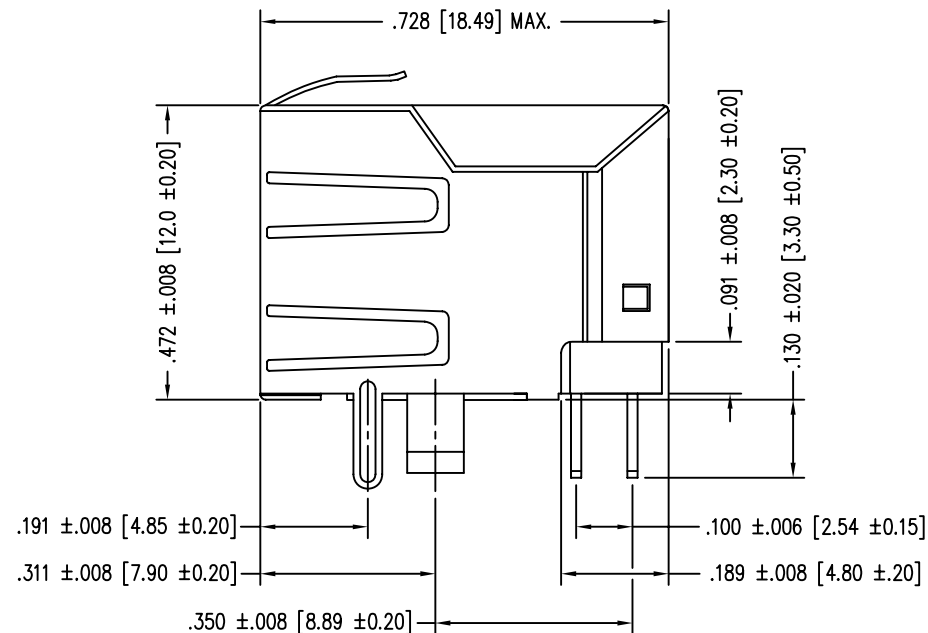
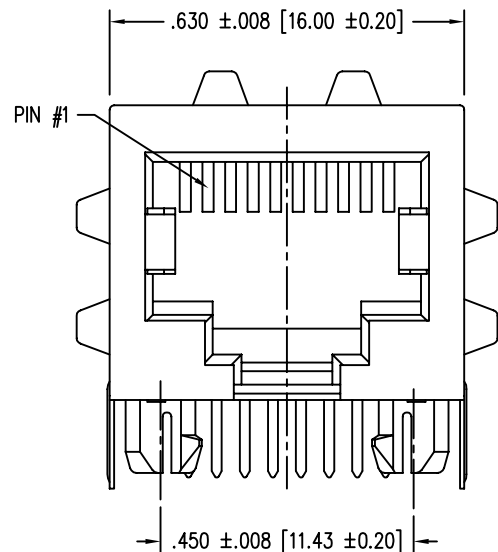


DATE	REV	ECN	APP'D. BY
9-10-09	X0	-	-
1-4-10	A0	8881	DHG



P.C.B. RECOMMENDED HOLE LAYOUT  
SEEN FROM COMPONENT SIDE  
ALL CENTERLINE DIMENSIONS ARE BASIC.

**NOTES:**

**ELECTRICAL:**

- VOLTAGE RATING: 125 VAC.
- CURRENT RATING: 1.5 AMP.
- CONTACT RESISTANCE: 50 MILLIOHMS MAX.
- INSULATION RESISTANCE: 1000 MEGOHMS MIN. @ 500 VDC.
- DIELECTRIC STRENGTH: 1000 VAC 60Hz, 1 MIN.

**MECHANICAL:**

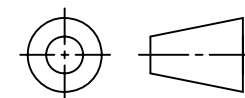
- HOUSING MATERIAL: HIGH TEMP. UL94V-0.
- CONTACT MATERIAL: PHOSPHOR BRONZE
- PLATING: 1: CONTACT AREA- SELECTIVE GOLD PLATING.  
2: TAILS-PLATED TIN OVER NICKEL.  
GOLD PLATING OVER NICKEL.
- OPERATING LIFE: 750 CYCLES MIN.

**ENVIRONMENTAL:**

- OPERATION: -40°C TO +85°C.
  - WAVE SOLDERING TEMPERATURE: 260°C (5~10 SECONDS)
- MATES WITH MODULAR PLUG CONFORMING TO  
FCC PART 68, SUBPART F.

30 MICRO-INCHES [0.76um]	SS70100-041F
CONTACT PLATING IN MATING AREA	PART NUMBER

THIRD ANGLE PROJECTION

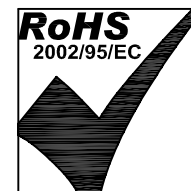


DO NOT SCALE DRAWING  
DRAWING IS SUBJECT TO  
CHANGE WITHOUT NOTICE

DIMENSIONS: INCHES [METRIC]

UNLESS OTHERWISE SPECIFIED  
TOLERANCES ARE ±.005 [0.13]  
ANGLES ARE ± 1°

SHEET NO. 1 OF 1



# Bel Stewart Connector

11118 Susquehanna Trail South  
Glen Rock, PA 17327-9199  
(717) 235-7512 Fax: (717) 235-7954 <http://www.stewartconnector.com>

TITLE: EIGHT CONTACT, TEN POSITION SHIELDED MICRO JACK  
WITH TOP, SIDE AND BOTTOM PANEL GROUNDS

THIS DRAWING AND THE SUBJECT MATTER SHOWN THEREON  
ARE CONFIDENTIAL AND THE PROPRIETARY PROPERTY OF  
BEL STEWART CONNECTOR AND SHALL NOT BE REPRODUCED,  
COPIED, OR USED IN ANY MANNER WITHOUT PRIOR WRITTEN  
CONSENT OF BEL STEWART CONNECTOR. THE SUBJECT  
MATTER MAY BE PATENTED OR A PATENT MAY BE PENDING.

DRN BY:	TRM	DATE	9-10-09
APPD BY:	DHG	DATE	9-10-09
DWG NO.	CT700058F	REV.	A0