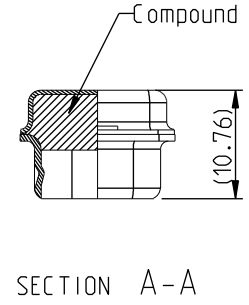
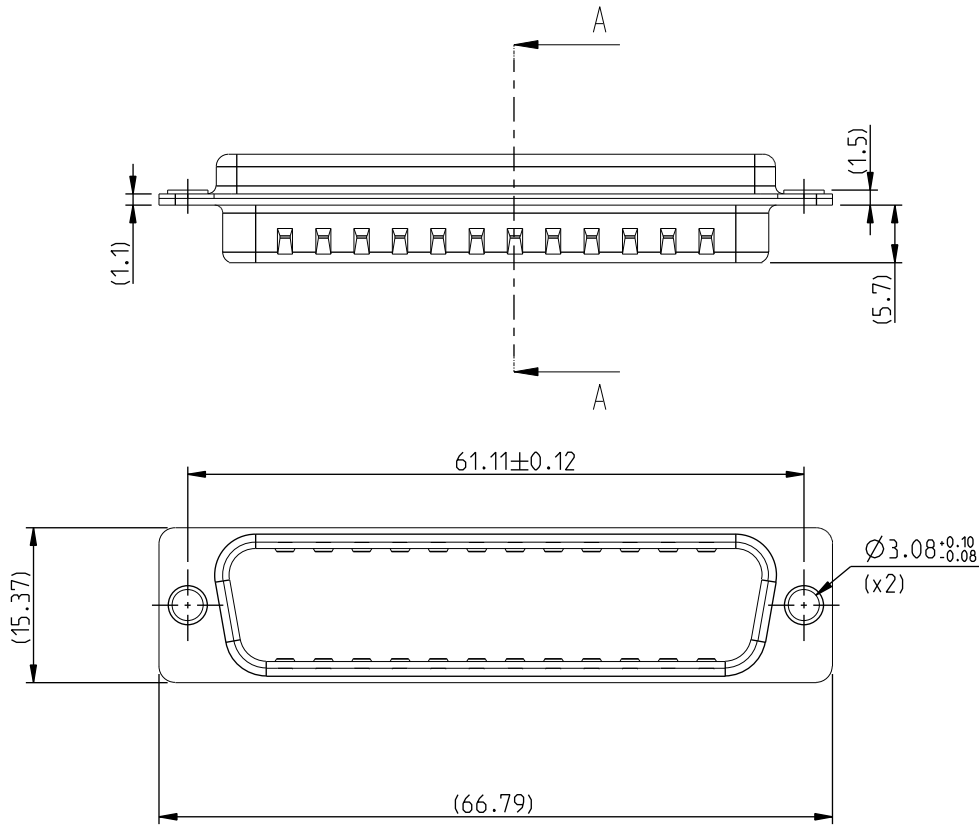


FCI CONFIDENTIAL



This document is the property of and embodies CONFIDENTIAL and PROPRIETARY information of FCI. No part of the information shown on this document may be used in any way or disclosed to others without the written consent of FCI. Copyright FCI.

PART-NUMBER	Plating
86553142	Cadmium
86553142TLF	Lead Free Tin



NOTE: RoHS INFORMATIONS

- The "LF" product meets European union Directives and other country regulations as described in GS-22-008.
- The product is not intended to be exposed to a manufacturing solder process.
- Packaging spec: see GS-14-920.

Rev	ecn no	dr	date
A	LS-0144	MPE	2007-05-23
B	F09-0207	LSA	2009-10-22
C	F10-0201	LSA	2010-09-01
-	-	-	-
-	-	-	-
-	-	-	-

Material	STEEL	Spec ref	/
Mat code	-	surface	-
Heatreat	-	tolerance	ISO 406
Plating/Finish	See table	ISO 1302	ISO 1101
Dr	PESSON	2007-05-23	projection
Eng	PESSON	2007-05-23	size
Chr	LEGARE	2007-05-23	Scale
Appr	LEGARE	2007-05-23	2:1
Product family		D-SUB	
Model Name		8655-3142	ECN
Model Revision		1	F10-0201
REL Level		CONCEPT	
Title		SHELL SIZE 50	Rev.
Title		MALE METAL CAP IP65	C
Pro/E file	catalog no	-	
CUSTOMER		sheet 1 of 1	

REV E - 2006-03-28