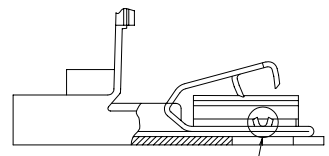
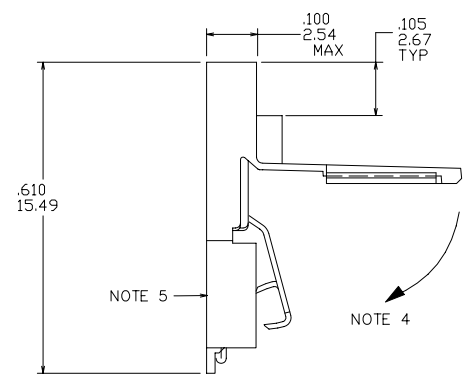
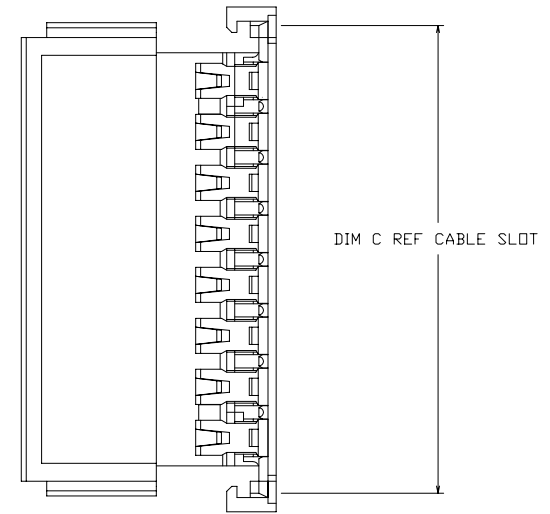
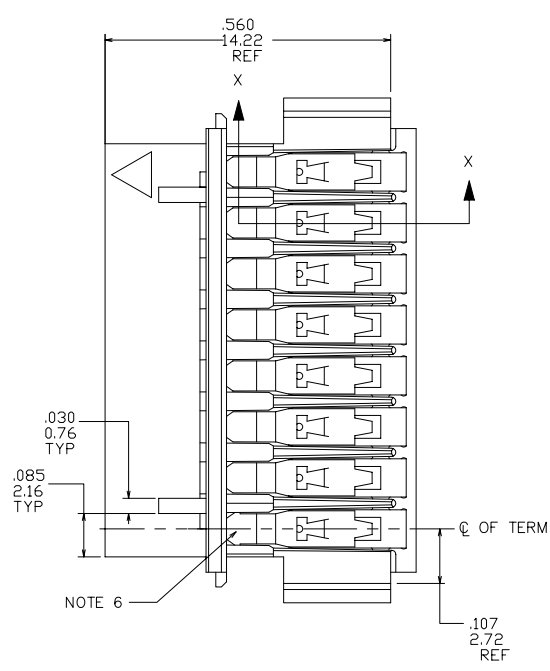
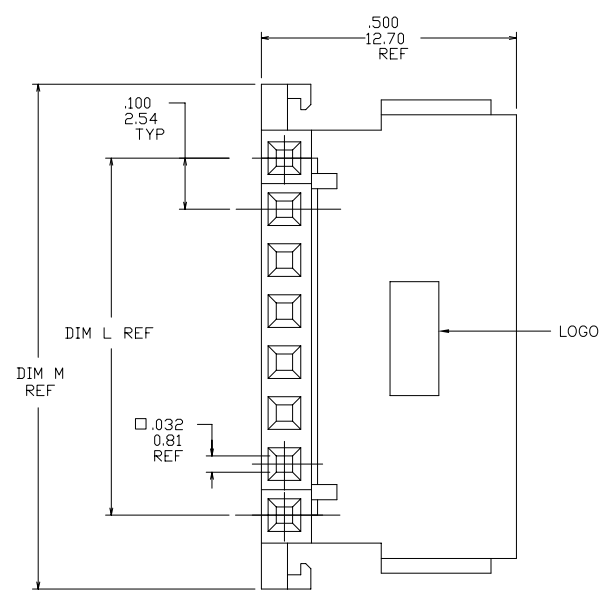




FCIconnect.com

Copyright FCI

form: A3



SECTION X-X

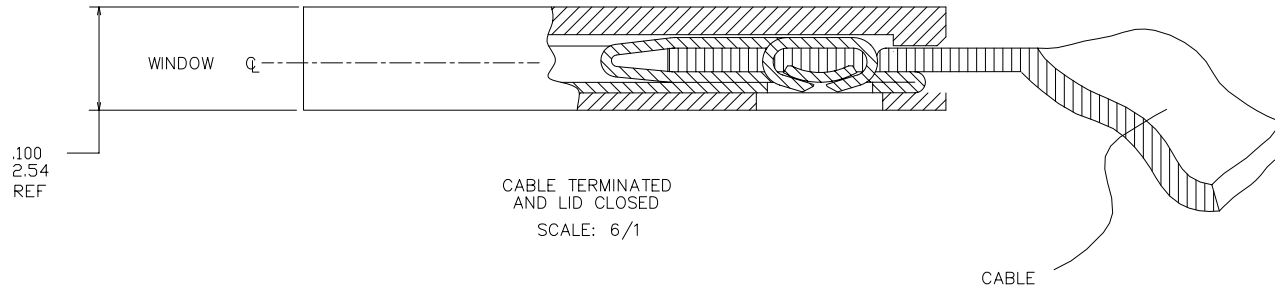


DETAIL Z SCALE 6/1

| | | | | | | | | | | | | | |
|---------------------------------------|----------------|-----|----------|-----------------------|-------------|----------------------------------|---|-----------------------|--|---|--|--|--|
| mat'l. code | | | | surface ISO 1302 ✓ | | tolerance ISO 406 ISO 1101 | | projection INCH/MM | | product family CLINCHER | | | |
| tolerances unless otherwise specified | | | | angles | | linear | | scale 3:1 | | title CLINCHER™ RECEPTACLE ASSEMBLY W/KEY | | | |
| A | v03-0420 | TAB | 4/22/03 | | | .XX±.01/.3 | | | | dwg no 10027313 | | | |
| B | M05-0087 | MHT | 6/14/05 | | | .xxx±.005/.13 | | | | sheet 1 of 6 size A3 | | | |
| C | M06-0001 | MHT | 1/03/05 | 0°±2' | | .xxxx±.0020/.051 | | | | type Product Customer Drawing | | | |
| D | M06-0233 | AGS | 06/13/06 | dr | T. BRUNGARD | 4/22/03 | | | | | | | |
| E | M07-0170 | MHT | 4/02/07 | enr | H. SUNDY | 4/22/03 | | | | | | | |
| | | | | chr | H. SUNDY | 4/22/03 | | | | | | | |
| | | | | appd | H. SUNDY | 4/22/03 | | | | | | | |
| sheet index | revision sheet | E | E | E | E | E | E | | | | | | |
| | | 1 | 2 | 3 | 4 | 5 | 6 | | | | | | |

PRODUCT NUMBER
SEE TABLE

| PLATING AVAILABLE | | |
|-------------------|--|--|
| PLATING CODE | TERMINAL | SPRING |
| 1 | 100u"/2.54u MIN. THICK PURE TIN | 10u"/.25u MIN. THICK PURE TIN |
| 2 | 30u"/.76u MIN. GOLD STRIPE IN BOX AREA | 3u"/.08u MIN. GOLD OVER 50u"/1.27u MIN. NICKLE |



NOTES:

- ① MOLDING MAT'L: POLYPROPYLENE, FLAME RETARDANT PER UL 94V-0. COLOR: BLUE.
- ② TERMINAL MAT'L: 1/2 HARD CuNi ALLOY, UNS-C72500. PLATING: SEE TABULATION AND PLATING TABLE.
- ③ SPRING MAT'L: 1/2 HARD BeCu ALLOY, UNS-C17200. PLATING: SEE TABULATION AND PLATING TABLE.
- ④ LATCH SWINGS CLOSED AFTER TERMINATION MAINTAINING A MAX OVER ALL HEIGHT OF .100/2.54
- ⑤ LABEL IN THIS AREA P/N AND DATE LOT CODE (WEEK AND YEAR) ON DASH No.-067 AND -167 ONLY.
- ⑥ KNURL MARK INDICATES FOR USE WITH INK TERMINATION. CONSULT WITH FCI TECHNICAL REPRESENTATIVE FOR SPECIFIC APPLICATIONS.
- ⑦ ADD "LF" SUFFIX AT THE END OF PART NUMBER FOR LEAD FREE OPTION.
- ⑧ THIS PRODUCT MEETS EUROPEAN UNION DIRECTIVES AND OTHER COUNTRY REGULATION AS DESCRIBED IN GS-22-008.
- ⑨ THE PRODUCT IS NOT INTENDED TO BE EXPOSED TO A MANUFACTURING SOLDER PROCESS

PRODUCT NUMBER
10027313-XXXXLF

- LEAD FREE OPTION
NOTE 7,8
- NO OF POSITIONS
AND PLATING
- BASE PART NUMBER

| | | | | | | | | | |
|-------------|-----|-----------------------|----|----------------------------------|--|---------------------------------------|---|--|--|
| mat'l. code | | surface ISO 1302 ✓ | | tolerance ISO 406 ISO 1101 | | projection ⊕ | | product family CLINCHER | |
| ltr | ecn | no | dr | date | | tolerances unless otherwise specified | | title | |
| E | | | | | | angles | linear | CLINCHER™ RECEPTACLE ASSEMBLY W/KEY | |
| | | | | | | 0'±2' | .XX±.01/.3 .xxx±.005/.13 .xxxx±.0020/.051 | INCH/MM | |
| | | | | | | dr | T. BRUNGARD | scale 1:1 | |
| | | | | | | enfr | H. SUNDY | FCJ | |
| | | | | | | chr | H. SUNDY | dwg no | |
| | | | | | | appd | H. SUNDY | sheet 2 of 6 size | |
| sheet index | | revision sheet | | | | | | 10027313 A3 | |
| | | | | | | | | type Product Customer Drawing | |

| PRODUCT NO. | NO. OF POSITIONS | DIM. L ENGLISH | DIM. L METRIC | DIM. M ENGLISH | DIM. M METRIC | DIM. C ENGLISH | DIM. C METRIC | PLATING CODE | TERMINATION NOTE 6 |
|--------------|------------------|----------------|---------------|----------------|---------------|----------------|---------------|--------------|--------------------|
| 10027313-006 | 6 | 0.500 | 12.70 | 0.790 | 20.07 | 0.715 | 18.16 | 1 | CONVENTIONAL |
| 10027313-007 | 7 | 0.600 | 15.24 | 0.890 | 22.61 | 0.815 | 20.70 | 1 | CONVENTIONAL |
| 10027313-008 | 8 | 0.700 | 17.78 | 0.990 | 25.15 | 0.915 | 23.24 | 1 | CONVENTIONAL |
| 10027313-009 | 9 | 0.800 | 20.32 | 1.090 | 27.69 | 1.015 | 25.78 | 1 | CONVENTIONAL |
| 10027313-010 | 10 | 0.900 | 22.86 | 1.190 | 30.23 | 1.115 | 28.32 | 1 | CONVENTIONAL |
| 10027313-011 | 11 | 1.000 | 25.40 | 1.290 | 32.77 | 1.215 | 30.86 | 1 | CONVENTIONAL |
| 10027313-012 | 12 | 1.100 | 27.94 | 1.390 | 35.31 | 1.315 | 33.40 | 1 | CONVENTIONAL |
| 10027313-013 | 13 | 1.200 | 30.48 | 1.490 | 37.85 | 1.415 | 35.94 | 1 | CONVENTIONAL |
| 10027313-014 | 14 | 1.300 | 33.02 | 1.590 | 40.39 | 1.515 | 38.48 | 1 | CONVENTIONAL |
| 10027313-015 | 15 | 1.400 | 35.56 | 1.690 | 42.93 | 1.615 | 41.02 | 1 | CONVENTIONAL |
| 10027313-016 | 16 | 1.500 | 38.10 | 1.790 | 45.47 | 1.715 | 43.56 | 1 | CONVENTIONAL |
| 10027313-017 | 17 | 1.600 | 40.64 | 1.890 | 48.01 | 1.815 | 46.10 | 1 | CONVENTIONAL |
| 10027313-018 | 18 | 1.700 | 43.18 | 1.990 | 50.55 | 1.915 | 48.64 | 1 | CONVENTIONAL |
| 10027313-019 | 19 | 1.800 | 45.72 | 2.090 | 53.09 | 2.015 | 51.18 | 1 | CONVENTIONAL |
| 10027313-020 | 20 | 1.900 | 48.26 | 2.190 | 55.63 | 2.115 | 53.72 | 1 | CONVENTIONAL |
| 10027313-021 | 21 | 2.000 | 50.80 | 2.290 | 58.17 | 2.215 | 56.26 | 1 | CONVENTIONAL |
| 10027313-022 | 22 | 2.100 | 53.34 | 2.390 | 60.71 | 2.315 | 58.80 | 1 | CONVENTIONAL |
| 10027313-023 | 23 | 2.200 | 55.88 | 2.490 | 63.25 | 2.415 | 61.34 | 1 | CONVENTIONAL |
| 10027313-024 | 24 | 2.300 | 58.42 | 2.590 | 65.79 | 2.515 | 63.88 | 1 | CONVENTIONAL |
| 10027313-025 | 25 | 2.400 | 60.96 | 2.690 | 68.33 | 2.615 | 66.42 | 1 | CONVENTIONAL |
| 10027313-026 | 26 | 2.500 | 63.50 | 2.790 | 70.87 | 2.715 | 68.96 | 1 | CONVENTIONAL |
| 10027313-027 | 27 | 2.600 | 66.04 | 2.890 | 73.41 | 2.815 | 71.50 | 1 | CONVENTIONAL |
| 10027313-028 | 28 | 2.700 | 68.58 | 2.990 | 75.95 | 2.915 | 74.04 | 1 | CONVENTIONAL |
| 10027313-029 | 29 | 2.800 | 71.12 | 3.090 | 78.49 | 3.015 | 76.58 | 1 | CONVENTIONAL |
| 10027313-030 | 30 | 2.900 | 73.66 | 3.190 | 81.03 | 3.115 | 79.12 | 1 | CONVENTIONAL |
| 10027313-031 | 31 | 3.000 | 76.20 | 3.290 | 83.57 | 3.215 | 81.66 | 1 | CONVENTIONAL |
| 10027313-032 | 32 | 3.100 | 78.74 | 3.390 | 86.11 | 3.315 | 84.20 | 1 | CONVENTIONAL |
| 10027313-033 | 33 | 3.200 | 81.28 | 3.490 | 88.65 | 3.415 | 86.74 | 1 | CONVENTIONAL |
| 10027313-034 | 34 | 3.300 | 83.82 | 3.590 | 91.19 | 3.515 | 89.28 | 1 | CONVENTIONAL |



Copyright FCI

| | | | | | | | | | |
|-------------|--|--|--|----------------------------|--|---------------------------------------|--|--------------------------------------|--|
| mat'l. code | | surface ISO 1302 <input checked="" type="checkbox"/> | | tolerance ISO 406 ISO 1101 | | projection | | product family CLINCHER | |
| ltr | | ecn no | | date | | tolerances unless otherwise specified | | title | |
| E | | | | | | .XX±.01/.3 | | CLINCHER™ RECEPTACLE ASSEMBLY W/KEY | |
| | | | | | | linear .xxx±.005/.13 | | INCH/MM | |
| | | | | | | 0'±2' | | scale 1:1 | |
| | | | | | | .xxxx±.0020/.051 | | dwg no 10027313 sheet 3 of 6 size A3 | |
| | | | | dr T. BRUNGARD 4/22/03 | | | | FCI | |
| | | | | enr H. SUNDY 4/22/03 | | | | type Product Customer Drawing | |
| | | | | chr H. SUNDY 4/22/03 | | | | | |
| | | | | appd H. SUNDY 4/22/03 | | | | | |
| sheet index | | revision sheet | | | | | | | |

| PRODUCT NO. | NO. OF POSITIONS | DIM. L ENGLISH | DIM. L METRIC | DIM. M ENGLISH | DIM. M METRIC | DIM. C ENGLISH | DIM. C METRIC | PLATING CODE | TERMINATION NOTE 6 |
|--------------|------------------|----------------|---------------|----------------|---------------|----------------|---------------|--------------|--------------------|
| 10027313-039 | 6 | 0.500 | 12.70 | 0.790 | 20.07 | 0.715 | 18.16 | 2 | CONVENTIONAL |
| 10027313-040 | 7 | 0.600 | 15.24 | 0.890 | 22.61 | 0.815 | 20.70 | 2 | CONVENTIONAL |
| 10027313-041 | 8 | 0.700 | 17.78 | 0.990 | 25.15 | 0.915 | 23.24 | 2 | CONVENTIONAL |
| 10027313-042 | 9 | 0.800 | 20.32 | 1.090 | 27.69 | 1.015 | 25.78 | 2 | CONVENTIONAL |
| 10027313-043 | 10 | 0.900 | 22.86 | 1.190 | 30.23 | 1.115 | 28.32 | 2 | CONVENTIONAL |
| 10027313-044 | 11 | 1.000 | 25.40 | 1.290 | 32.77 | 1.215 | 30.86 | 2 | CONVENTIONAL |
| 10027313-045 | 12 | 1.100 | 27.94 | 1.390 | 35.31 | 1.315 | 33.40 | 2 | CONVENTIONAL |
| 10027313-046 | 13 | 1.200 | 30.48 | 1.490 | 37.85 | 1.415 | 35.94 | 2 | CONVENTIONAL |
| 10027313-047 | 14 | 1.300 | 33.02 | 1.590 | 40.39 | 1.515 | 38.48 | 2 | CONVENTIONAL |
| 10027313-048 | 15 | 1.400 | 35.56 | 1.690 | 42.93 | 1.615 | 41.02 | 2 | CONVENTIONAL |
| 10027313-049 | 16 | 1.500 | 38.10 | 1.790 | 45.47 | 1.715 | 43.56 | 2 | CONVENTIONAL |
| 10027313-050 | 17 | 1.600 | 40.64 | 1.890 | 48.01 | 1.815 | 46.10 | 2 | CONVENTIONAL |
| 10027313-051 | 18 | 1.700 | 43.18 | 1.990 | 50.55 | 1.915 | 48.64 | 2 | CONVENTIONAL |
| 10027313-052 | 19 | 1.800 | 45.72 | 2.090 | 53.09 | 2.015 | 51.18 | 2 | CONVENTIONAL |
| 10027313-053 | 20 | 1.900 | 48.26 | 2.190 | 55.63 | 2.115 | 53.72 | 2 | CONVENTIONAL |
| 10027313-054 | 21 | 2.000 | 50.80 | 2.290 | 58.17 | 2.215 | 56.26 | 2 | CONVENTIONAL |
| 10027313-055 | 22 | 2.100 | 53.34 | 2.390 | 60.71 | 2.315 | 58.80 | 2 | CONVENTIONAL |
| 10027313-056 | 23 | 2.200 | 55.88 | 2.490 | 63.25 | 2.415 | 61.34 | 2 | CONVENTIONAL |
| 10027313-057 | 24 | 2.300 | 58.42 | 2.590 | 65.79 | 2.515 | 63.88 | 2 | CONVENTIONAL |
| 10027313-058 | 25 | 2.400 | 60.96 | 2.690 | 68.33 | 2.615 | 66.42 | 2 | CONVENTIONAL |
| 10027313-059 | 26 | 2.500 | 63.50 | 2.790 | 70.87 | 2.715 | 68.96 | 2 | CONVENTIONAL |
| 10027313-060 | 27 | 2.600 | 66.04 | 2.890 | 73.41 | 2.815 | 71.50 | 2 | CONVENTIONAL |
| 10027313-061 | 28 | 2.700 | 68.58 | 2.990 | 75.95 | 2.915 | 74.04 | 2 | CONVENTIONAL |
| 10027313-062 | 29 | 2.800 | 71.12 | 3.090 | 78.49 | 3.015 | 76.58 | 2 | CONVENTIONAL |
| 10027313-063 | 30 | 2.900 | 73.66 | 3.190 | 81.03 | 3.115 | 79.12 | 2 | CONVENTIONAL |
| 10027313-064 | 31 | 3.000 | 76.20 | 3.290 | 83.57 | 3.215 | 81.66 | 2 | CONVENTIONAL |
| 10027313-065 | 32 | 3.100 | 78.74 | 3.390 | 86.11 | 3.315 | 84.20 | 2 | CONVENTIONAL |
| 10027313-066 | 33 | 3.200 | 81.28 | 3.490 | 88.65 | 3.415 | 86.74 | 2 | CONVENTIONAL |
| 10027313-067 | 34 | 3.300 | 83.82 | 3.590 | 91.19 | 3.515 | 89.28 | 2 | CONVENTIONAL |



FCIconnect.com

Copyright FCI

| | | | | | | | | | |
|-------------|--|---|--|----------------------------------|--|---------------------------------------|--|-------------------------------------|--|
| mat'l. code | | surface ISO 1302 <input checked="" type="checkbox"/> | | tolerance ISO 406 ISO 1101 | | projection | | product family CLINCHER | |
| ltr | | ecn no | | date | | tolerances unless otherwise specified | | title | |
| E | | | | | | angles linear .XX±.01/.3 | | INCH/MM | |
| | | | | | | 0'±2' .xxx±.005/.13 | | CLINCHER™ RECEPTACLE ASSEMBLY W/KEY | |
| | | | | | | .xxxx±.0020/.051 | | scale 1:1 | |
| | | | | dr T. BRUNGARD 4/22/03 | | | | dwg no sheet 4 of 6 size | |
| | | | | enr H. SUNDY 4/22/03 | | | | 10027313 A3 | |
| | | | | chr H. SUNDY 4/22/03 | | | | type Product Customer Drawing | |
| | | | | appd H. SUNDY 4/22/03 | | | | | |
| sheet index | | revision sheet | | | | | | | |



| PRODUCT NO. | NO. OF POSITIONS | DIM. L ENGLISH | DIM. L METRIC | DIM. M ENGLISH | DIM. M METRIC | DIM. C ENGLISH | DIM. C METRIC | PLATING CODE | TERMINATION NOTE 6 |
|--------------|------------------|----------------|---------------|----------------|---------------|----------------|---------------|--------------|--------------------|
| 10027313-106 | 6 | 0.500 | 12.70 | 0.790 | 20.07 | 0.715 | 18.16 | 1 | INK |
| 10027313-107 | 7 | 0.600 | 15.24 | 0.890 | 22.61 | 0.815 | 20.70 | 1 | INK |
| 10027313-108 | 8 | 0.700 | 17.78 | 0.990 | 25.15 | 0.915 | 23.24 | 1 | INK |
| 10027313-109 | 9 | 0.800 | 20.32 | 1.090 | 27.69 | 1.015 | 25.78 | 1 | INK |
| 10027313-110 | 10 | 0.900 | 22.86 | 1.190 | 30.23 | 1.115 | 28.32 | 1 | INK |
| 10027313-111 | 11 | 1.000 | 25.40 | 1.290 | 32.77 | 1.215 | 30.86 | 1 | INK |
| 10027313-112 | 12 | 1.100 | 27.94 | 1.390 | 35.31 | 1.315 | 33.40 | 1 | INK |
| 10027313-113 | 13 | 1.200 | 30.48 | 1.490 | 37.85 | 1.415 | 35.94 | 1 | INK |
| 10027313-114 | 14 | 1.300 | 33.02 | 1.590 | 40.39 | 1.515 | 38.48 | 1 | INK |
| 10027313-115 | 15 | 1.400 | 35.56 | 1.690 | 42.93 | 1.615 | 41.02 | 1 | INK |
| 10027313-116 | 16 | 1.500 | 38.10 | 1.790 | 45.47 | 1.715 | 43.56 | 1 | INK |
| 10027313-117 | 17 | 1.600 | 40.64 | 1.890 | 48.01 | 1.815 | 46.10 | 1 | INK |
| 10027313-118 | 18 | 1.700 | 43.18 | 1.990 | 50.55 | 1.915 | 48.64 | 1 | INK |
| 10027313-119 | 19 | 1.800 | 45.72 | 2.090 | 53.09 | 2.015 | 51.18 | 1 | INK |
| 10027313-120 | 20 | 1.900 | 48.26 | 2.190 | 55.63 | 2.115 | 53.72 | 1 | INK |
| 10027313-121 | 21 | 2.000 | 50.80 | 2.290 | 58.17 | 2.215 | 56.26 | 1 | INK |
| 10027313-122 | 22 | 2.100 | 53.34 | 2.390 | 60.71 | 2.315 | 58.80 | 1 | INK |
| 10027313-123 | 23 | 2.200 | 55.88 | 2.490 | 63.25 | 2.415 | 61.34 | 1 | INK |
| 10027313-124 | 24 | 2.300 | 58.42 | 2.590 | 65.79 | 2.515 | 63.88 | 1 | INK |
| 10027313-125 | 25 | 2.400 | 60.96 | 2.690 | 68.33 | 2.615 | 66.42 | 1 | INK |
| 10027313-126 | 26 | 2.500 | 63.50 | 2.790 | 70.87 | 2.715 | 68.96 | 1 | INK |
| 10027313-127 | 27 | 2.600 | 66.04 | 2.890 | 73.41 | 2.815 | 71.50 | 1 | INK |
| 10027313-128 | 28 | 2.700 | 68.58 | 2.990 | 75.95 | 2.915 | 74.04 | 1 | INK |
| 10027313-129 | 29 | 2.800 | 71.12 | 3.090 | 78.49 | 3.015 | 76.58 | 1 | INK |
| 10027313-130 | 30 | 2.900 | 73.66 | 3.190 | 81.03 | 3.115 | 79.12 | 1 | INK |
| 10027313-131 | 31 | 3.000 | 76.20 | 3.290 | 83.57 | 3.215 | 81.66 | 1 | INK |
| 10027313-132 | 32 | 3.100 | 78.74 | 3.390 | 86.11 | 3.315 | 84.20 | 1 | INK |
| 10027313-133 | 33 | 3.200 | 81.28 | 3.490 | 88.65 | 3.415 | 86.74 | 1 | INK |
| 10027313-134 | 34 | 3.300 | 83.82 | 3.590 | 91.19 | 3.515 | 89.28 | 1 | INK |



Copyright FCI

| | | | | | | | | | |
|-------------|--|---|--|----------------------------------|--|---|--|-------------------------------|--|
| mat'l. code | | surface ISO 1302 <input checked="" type="checkbox"/> | | tolerance ISO 406 ISO 1101 | | projection | | product family CLINCHER | |
| ltr | | ecn no | | date | | tolerances unless otherwise specified | | title | |
| E | | | | | | angles linear .XX±.01/.3 0'±2' .xxx±.005/.13 .xxxx±.0020/.051 | | INCH/MM scale 1:1 | |
| | | | | dr T. BRUNGARD 4/22/03 | | | | dwg no sheet 5 of 6 size | |
| | | | | enr H. SUNDY 4/22/03 | | | | 10027313 A3 | |
| | | | | chr H. SUNDY 4/22/03 | | | | type Product Customer Drawing | |
| | | | | appd H. SUNDY 4/22/03 | | | | | |
| sheet index | | revision sheet | | | | | | | |

| PRODUCT NO. | NO. OF POSITIONS | DIM. L ENGLISH | DIM. L METRIC | DIM. M ENGLISH | DIM. M METRIC | DIM. C ENGLISH | DIM. C METRIC | PLATING CODE | TERMINATION NOTE 6 |
|--------------|------------------|----------------|---------------|----------------|---------------|----------------|---------------|--------------|--------------------|
| 10027313-139 | 6 | 0.500 | 12.70 | 0.790 | 20.07 | 0.715 | 18.16 | 2 | INK |
| 10027313-140 | 7 | 0.600 | 15.24 | 0.890 | 22.61 | 0.815 | 20.70 | 2 | INK |
| 10027313-141 | 8 | 0.700 | 17.78 | 0.990 | 25.15 | 0.915 | 23.24 | 2 | INK |
| 10027313-142 | 9 | 0.800 | 20.32 | 1.090 | 27.69 | 1.015 | 25.78 | 2 | INK |
| 10027313-143 | 10 | 0.900 | 22.86 | 1.190 | 30.23 | 1.115 | 28.32 | 2 | INK |
| 10027313-144 | 11 | 1.000 | 25.40 | 1.290 | 32.77 | 1.215 | 30.86 | 2 | INK |
| 10027313-145 | 12 | 1.100 | 27.94 | 1.390 | 35.31 | 1.315 | 33.40 | 2 | INK |
| 10027313-146 | 13 | 1.200 | 30.48 | 1.490 | 37.85 | 1.415 | 35.94 | 2 | INK |
| 10027313-147 | 14 | 1.300 | 33.02 | 1.590 | 40.39 | 1.515 | 38.48 | 2 | INK |
| 10027313-148 | 15 | 1.400 | 35.56 | 1.690 | 42.93 | 1.615 | 41.02 | 2 | INK |
| 10027313-149 | 16 | 1.500 | 38.10 | 1.790 | 45.47 | 1.715 | 43.56 | 2 | INK |
| 10027313-150 | 17 | 1.600 | 40.64 | 1.890 | 48.01 | 1.815 | 46.10 | 2 | INK |
| 10027313-151 | 18 | 1.700 | 43.18 | 1.990 | 50.55 | 1.915 | 48.64 | 2 | INK |
| 10027313-152 | 19 | 1.800 | 45.72 | 2.090 | 53.09 | 2.015 | 51.18 | 2 | INK |
| 10027313-153 | 20 | 1.900 | 48.26 | 2.190 | 55.63 | 2.115 | 53.72 | 2 | INK |
| 10027313-154 | 21 | 2.000 | 50.80 | 2.290 | 58.17 | 2.215 | 56.26 | 2 | INK |
| 10027313-155 | 22 | 2.100 | 53.34 | 2.390 | 60.71 | 2.315 | 58.80 | 2 | INK |
| 10027313-156 | 23 | 2.200 | 55.88 | 2.490 | 63.25 | 2.415 | 61.34 | 2 | INK |
| 10027313-157 | 24 | 2.300 | 58.42 | 2.590 | 65.79 | 2.515 | 63.88 | 2 | INK |
| 10027313-158 | 25 | 2.400 | 60.96 | 2.690 | 68.33 | 2.615 | 66.42 | 2 | INK |
| 10027313-159 | 26 | 2.500 | 63.50 | 2.790 | 70.87 | 2.715 | 68.96 | 2 | INK |
| 10027313-160 | 27 | 2.600 | 66.04 | 2.890 | 73.41 | 2.815 | 71.50 | 2 | INK |
| 10027313-161 | 28 | 2.700 | 68.58 | 2.990 | 75.95 | 2.915 | 74.04 | 2 | INK |
| 10027313-162 | 29 | 2.800 | 71.12 | 3.090 | 78.49 | 3.015 | 76.58 | 2 | INK |
| 10027313-163 | 30 | 2.900 | 73.66 | 3.190 | 81.03 | 3.115 | 79.12 | 2 | INK |
| 10027313-164 | 31 | 3.000 | 76.20 | 3.290 | 83.57 | 3.215 | 81.66 | 2 | INK |
| 10027313-165 | 32 | 3.100 | 78.74 | 3.390 | 86.11 | 3.315 | 84.20 | 2 | INK |
| 10027313-166 | 33 | 3.200 | 81.28 | 3.490 | 88.65 | 3.415 | 86.74 | 2 | INK |
| 10027313-167 | 34 | 3.300 | 83.82 | 3.590 | 91.19 | 3.515 | 89.28 | 2 | INK |



FCIconnect.com

Copyright FCI

| | | | | | | | | | |
|-------------|--|---|--|----------------------------------|--|---------------------------------------|--|-------------------------------------|--|
| mat'l. code | | surface ISO 1302 <input checked="" type="checkbox"/> | | tolerance ISO 406 ISO 1101 | | projection | | product family CLINCHER | |
| ltr | | ecn no | | date | | tolerances unless otherwise specified | | title | |
| E | | | | | | angles linear .XX±.01/.3 | | CLINCHER™ RECEPTACLE ASSEMBLY W/KEY | |
| | | | | | | 0'±2' .xxx±.005/.13 .xxxx±.0020/.051 | | INCH/MM | |
| | | | | | | | | scale 1:1 | |
| | | | | dr T. BRUNGARD 4/22/03 | | | | dwg no sheet 6 of 6 size | |
| | | | | enr H. SUNDY 4/22/03 | | | | 10027313 A3 | |
| | | | | chr H. SUNDY 4/22/03 | | | | type Product Customer Drawing | |
| | | | | appd H. SUNDY 4/22/03 | | | | | |
| sheet index | | revision sheet | | | | | | | |



form: A3 1 2 3 4 5 6