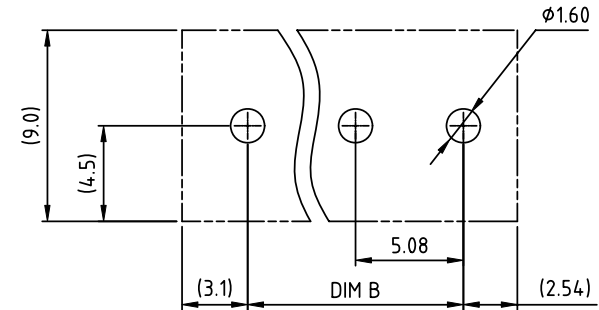
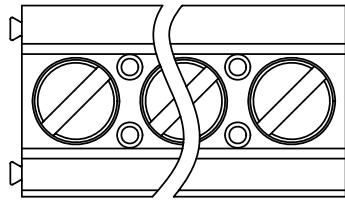
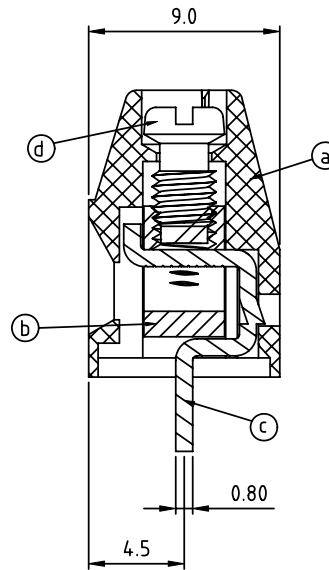
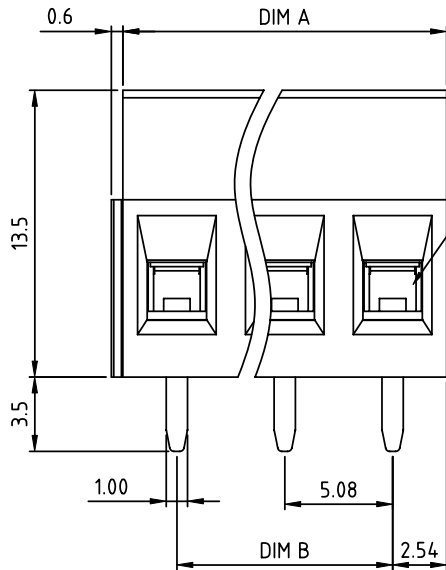


PRODUCT NUMBER	PITCH
V1xx21x200J0G	5.08 mm



RECOMMENDED P.C.B LAYOUT  
TOP VIEW



Material:

- Item ① Terminal housing :Thermoplastic (UL 94V-0)
- Item ② Clamp : Brass ,Ni plated
- Item ③ Solder pin : Brass ,Tin plated
- Item ④ Terminal screw : Steel Zinc plating"-slot type

Electrical cULus/FIMKO

- Voltage rating: 300VAC/300VAC
- Current rating: 16A/17.5A
- Wire range: 0.5~1.5mm<sup>2</sup>
- Solid wire(AWG): 12-28
- Stranded wire(AWG): 12-28
- Torque: 3.5Lb-In./0.5Nm
- Screw: M3
- Wire strip length: 6-7mm
- Withstanding Voltage: 1.6KV/2.5KV
- Operating temperature: -40°C to +115°C
- Soldering temperature: 260°C±5°C/5 Sec
- Safety Approval:

Dimension

DIM A	N×5.08
DIM B	(N-1)×5.08

N=Number of poles

POLES	Tolerance
2p-6p	±0.15
7p-12p	±0.25
13p-16p	±0.35
17p-24p	±0.40

PART NO.: V1 xx 2 1 x 2 00J0 G

- End stackable
- No. of poles
- 02 2 poles
- 03 3 poles
- ... ..
- 24 24 poles
- Color
- 0 Black (RAL9005)
- 2 Red (RAL3001/D)
- 3 Orange(RAL2011/P)
- 4 Yellow(RAL1018/A)
- 5 Green(RAL6018/T)
- 6 Blue (RAL5015/A)
- 8 Grey(RAL7035/D)
- 9 White(RAL1102)
- C Green(RAL6018/U)
- RoHS compliant (lead<4%)  
In copper Alloy

mat'l. code		surface ASME Y14.5	tolerance ASME Y14.5	projection	product family TERMINAL BLOCK
ltr	ecn no	dr	date	 MM	title TERMINAL BLOCK RISING CLAMP,180D WIRE INLET,END STACKABLE
tolerances unless otherwise specified					
angles		X.±0.5		 scale	dwg no V1xx21x200J0G sheet 1 of 1 size A4
X*±1°		X.XX±0.1			
dr	ENGR	chr	appd		type CUSTOMER Drawing
EVIN ZHONG	EVIN ZHONG	HANKE FENG	SHI JUN		
040914	040914	040914	040914		
040914	040914	040914	040914		
sheet index	revision sheet	A 1			