

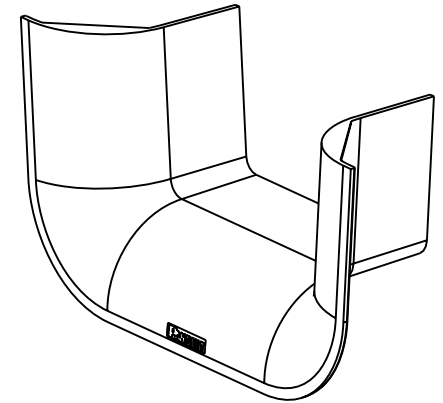
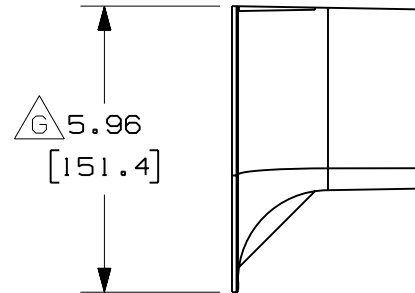
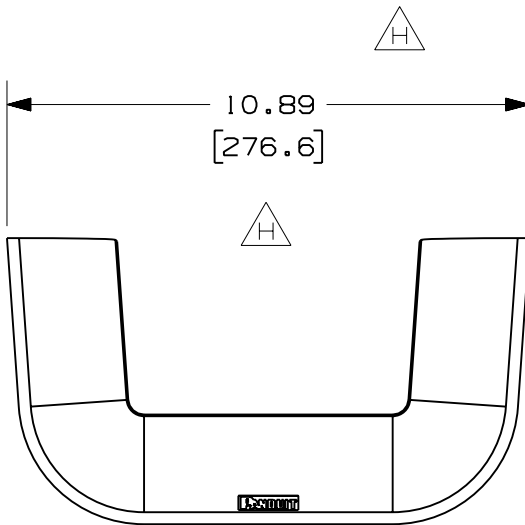
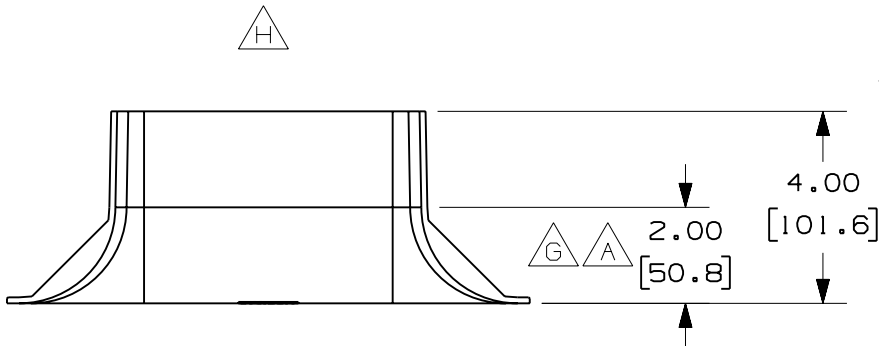
THIS COPY IS PROVIDED ON A RESTRICTED BASIS AND IS NOT TO BE USED IN ANY WAY DETRIMENTAL TO THE INTERESTS OF PANDUIT CORP.

PANDUIT PART NUMBER	WEIGHT
FRTR6X4	0.43 LB/EACH (195g/EACH)



NOTES:

1. SEE CURRENT CATALOG FOR ADDITIONAL PART SUFFIXES TO INDICATE COLOR AND/OR PACKAGE QUANTITY.
2. THE FIBERRUNNER 6x4 3-SIDED BEND RADIUS CONTROL TRUMPET IS DESIGNED WITH A MINIMUM 2" (50.8) BEND RADIUS TO PROTECT FIBER OPTIC CABLES.
3. DIMENSIONS IN PARENTHESES ARE IN METRIC.



ENG. REF.: D37185FM_DC_FRTR6X4_01.prt

CAD FILENAME/LAYERS FRTR6X4.pdf

PANDUIT CORP TINLEY PARK, ILLINOIS
FIBERRUNNER 6x4 3-SIDED BEND RADIUS CONTROL TRUMPET (FRTR6X4)
 CUSTOMER DRAWING

UNLESS OTHERWISE SPECIFIED, DIMENSIONAL TOLERANCES ARE:
 (.X) ± (.XXX) ±
 (.XX) ± .03 (.8) ANGLES ±

UNLESS OTHERWISE SPECIFIED, ALL DIMENSIONS ARE GIVEN IN INCHES, THIRD ANGLE PROJECTION.

REV	DATE	BY	CHK	DESCRIPTION	ECN	R	CUST	SUP	GMBH
-	-----	---	---	H. REMOVED DIMENSIONS G. RELOCATED DIMENSIONS	-----	--	--		
-	-----	---	---	F. REVISED PART WEIGHT E. REVISED GENERAL NOTES	-----	--	--		
2	7-14-06	DTP	RN	D. REVISED CAD FILENAME C. REVISED DRAWING TITLE	37185-95	RN	RN		
1	6-20-01	JHNU	HIW	B. REVISED FILENAME A. ADDED DIMENSION	37185-95	HIW	HIW		
R	1-22-01	JHNU	RPA	RELEASED TO PRODUCTION	37185-95	HIW	HIW		

DRAWN BY JHNU	MAT'L: ABS	SCALE NONE
DATE 1-22-01		DRAWING NO. 37185-95
CHK'D RPA		DWG A SIZE