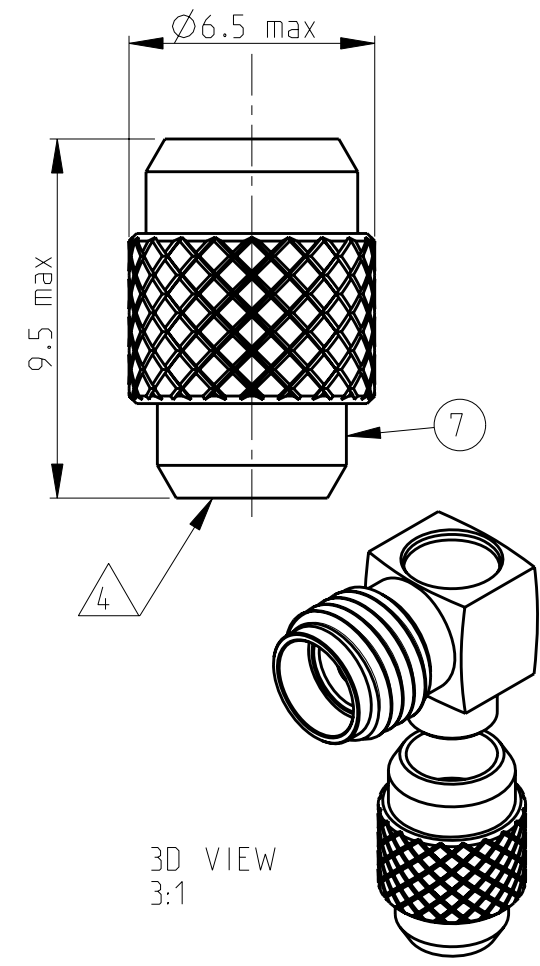
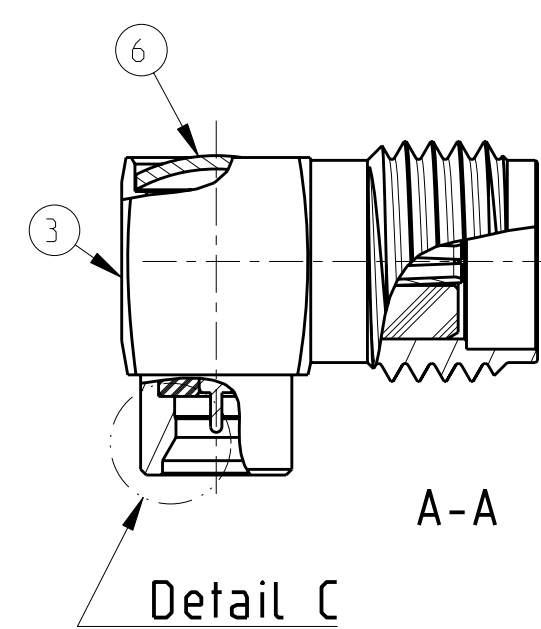
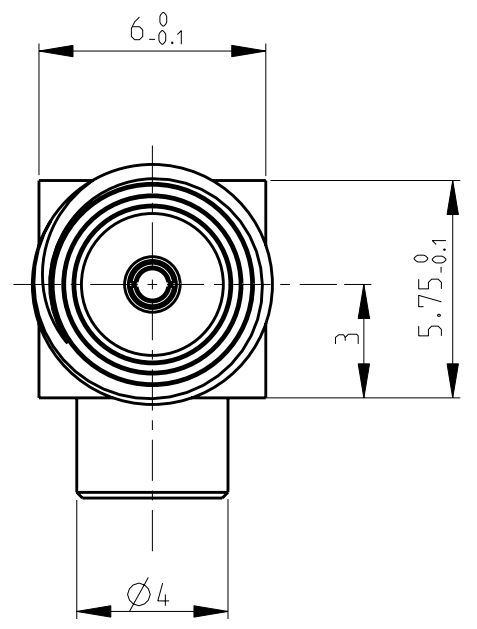
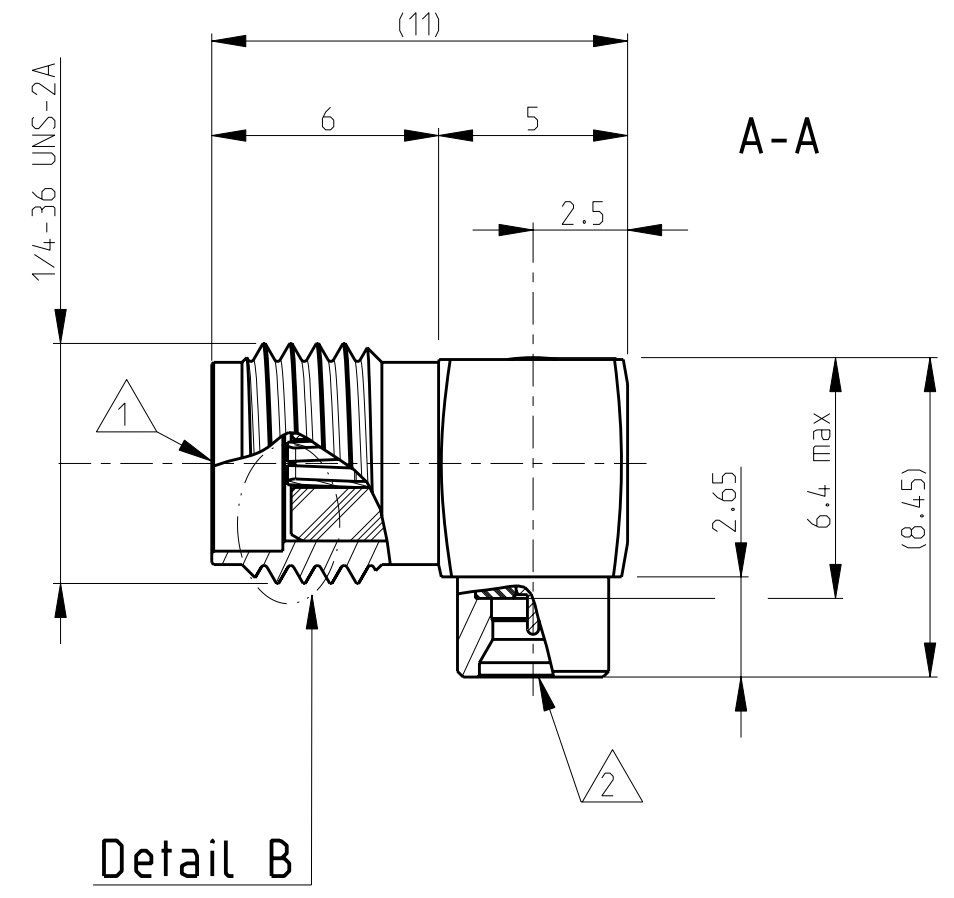


THIS DRAWING IS UNPUBLISHED. RELEASED FOR PUBLICATION
 © COPYRIGHT - BY TYCO ELECTRONICS CORPORATION. ALL RIGHTS RESERVED.

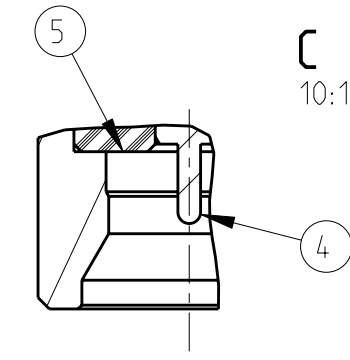
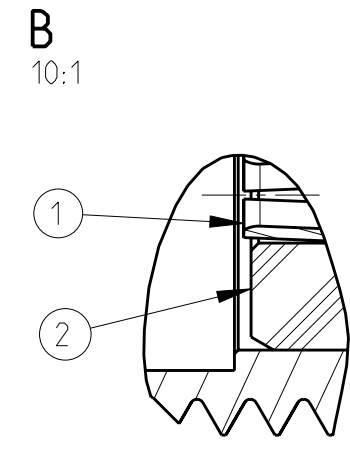
LOC	DIST	REVISIONS					
		P	LTR	DESCRIPTION	DATE	DWN	APVD
IS	-		A	Release to production	18FEB2009	MS	DB



Detail B

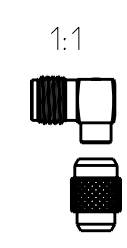
Detail C

3D VIEW
3:1



619383-1	7	1	GUIDING SHELL	ALUMINIUM	Anodized
	6	1	CAP	BRASS	Ni
	5	1	DIELECTRIC	PTFE	None
	4	1	CENTER CONDUCTOR	BRASS	Au over NiP
	3	1	OUTER SHELL	BRASS	Au over NiP
	2	1	DIELECTRIC	PTFE	None
	1	1	CENTER CONDUCTOR	Bronze	Au over NiP
TE P/N	ITEM NO.	PIECES	DESCRIPTION	MATERIAL	PLATING

- 1 Interface according to IEC 169-15 / CECC 22110
- 2 Interface according to MIL-STD-348
- 3 General Tolerances ISO 2768-mK
- 4 Supplied as loose part



THIS DRAWING IS A CONTROLLED DOCUMENT FOR TYCO ELECTRONICS CORPORATION. IT IS SUBJECT TO CHANGE AND THE CONTROLLING ENGINEERING ORGANIZATION SHOULD BE CONTACTED FOR THE LATEST REVISION.

DIMENSIONS: mm	TOLERANCES UNLESS OTHERWISE SPECIFIED: 0 PLC ± 1 PLC ± 2 PLC ± 3 PLC ± 4 PLC ± ANGLES ±	MATERIAL see table	FINISH see table	DWN M. Scheggia 27OCT2008	CHK D. Bozzer 27OCT2008	APVD -	PRODUCT SPEC 108-71086	APPLICATION SPEC -	WEIGHT -	Tyco Electronics Lugano - Switzerland	NAME Adapter SMPM - SMA Right Angle Jack - Jack	RESTRICTED TO -
				SIZE A3	CAGE CODE 00779	DRAWING NO. C=619383			SCALE 5:1	SHEET 1 OF 1	REV A	

CUSTOMER DRAWING